

# SVÄNGKRAN

## TYP GBP-T/GBA-T

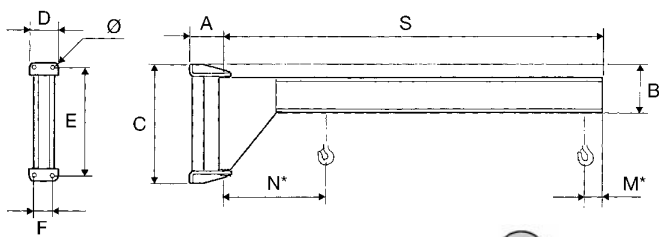
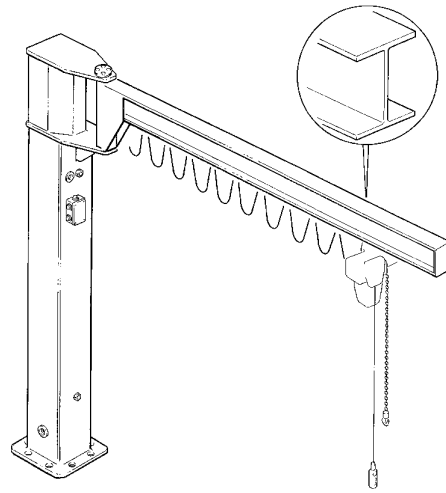
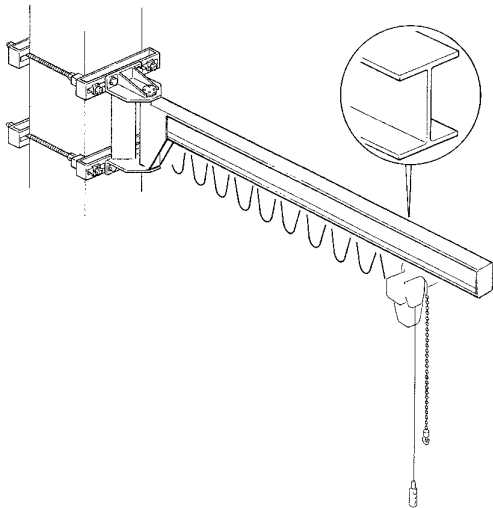


**LYFTTEMA AB**

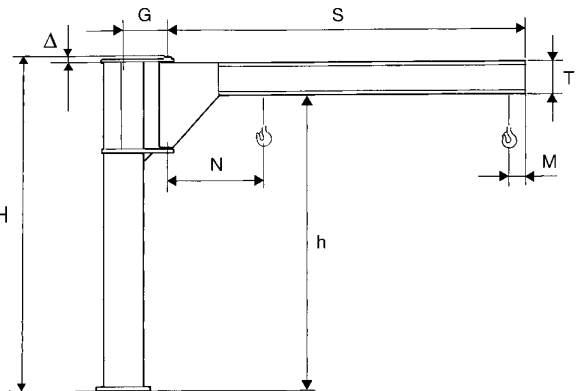
Arvidstorp, 640 25 Julita

Tel: 016-801 25 Fax: 016-801 26

[www.lyfttema.se](http://www.lyfttema.se) [info@lyfttema.se](mailto:info@lyfttema.se)



Väggsvingkran - aktionsområde 250°



Pelarsvingkran - aktionsområde 290°

| Last<br>kg | Arm längd<br>mm |   | Storlek pelare<br>mm |
|------------|-----------------|---|----------------------|
|            | S               | m |                      |
| 63         | 4               | A | A                    |
|            | 5               | A |                      |
| 125        | 2               | A | B                    |
|            | 3               | A |                      |
|            | 4               | B |                      |
|            | 5               | B |                      |
| 250        | 2               | B | C                    |
|            | 3               | B |                      |
|            | 4               | C |                      |
|            | 5               | C |                      |
| 500        | 2               | C | D                    |
|            | 3               | C |                      |
|            | 4               | D |                      |
|            | 5               | D |                      |
|            | 5               | D |                      |
| 1000       | 2               | D | E                    |
|            | 3               | D |                      |
|            | 4               | E |                      |
|            | 5               | E |                      |
|            | 5               | E |                      |
| 2000       | 2               | E | E                    |
|            | 3               | E |                      |

| GBP väggsvingkran typ T |           |     |      |     |      |     |    |     |                |
|-------------------------|-----------|-----|------|-----|------|-----|----|-----|----------------|
| Typ                     | Mått i mm |     |      |     |      |     |    |     | Kranvikt<br>kg |
|                         | A         | B   | C    | D   | E    | F   | Ø  |     |                |
| T01A40                  | 170       | 248 | 644  | 200 | 594  | 150 | 15 | 95  |                |
| T01A50                  | 170       | 248 | 644  | 200 | 594  | 150 | 15 | 111 |                |
| T01A20                  | 170       | 248 | 644  | 200 | 594  | 150 | 15 | 63  |                |
| T01A30                  | 170       | 248 | 644  | 200 | 594  | 150 | 15 | 79  |                |
| T01B40                  | 170       | 288 | 644  | 200 | 594  | 150 | 15 | 125 |                |
| T01B50                  | 170       | 288 | 644  | 200 | 594  | 150 | 15 | 147 |                |
| T01B20                  | 170       | 288 | 644  | 200 | 594  | 150 | 15 | 81  |                |
| T01B30                  | 170       | 288 | 644  | 200 | 594  | 150 | 15 | 103 |                |
| T02C40                  | 210       | 346 | 930  | 250 | 870  | 190 | 22 | 195 |                |
| T02C50                  | 210       | 346 | 930  | 250 | 870  | 190 | 22 | 226 |                |
| T02C20                  | 210       | 346 | 930  | 250 | 870  | 190 | 22 | 134 |                |
| T02C30                  | 210       | 346 | 930  | 250 | 870  | 190 | 22 | 165 |                |
| T02D40                  | 210       | 406 | 930  | 250 | 870  | 190 | 22 | 256 |                |
| T02D50                  | 210       | 406 | 930  | 250 | 870  | 190 | 22 | 298 |                |
| T02D20                  | 210       | 406 | 930  | 250 | 870  | 190 | 22 | 172 |                |
| T02D30                  | 210       | 406 | 930  | 250 | 870  | 190 | 22 | 214 |                |
| T03E40                  | 255       | 499 | 1240 | 300 | 1160 | 220 | 34 | 381 |                |
| T03E50                  | 255       | 499 | 1240 | 300 | 1160 | 220 | 34 | 438 |                |
| T03E20                  | 255       | 499 | 1240 | 300 | 1160 | 220 | 34 | 267 |                |
| T03E30                  | 255       | 499 | 1240 | 300 | 1160 | 220 | 34 | 324 |                |

| GBA pelarsvingkran typ T |        |                 |           |     |     |           |    |           |              |  |
|--------------------------|--------|-----------------|-----------|-----|-----|-----------|----|-----------|--------------|--|
| Total höjd<br>H*<br>m    | Typ    | Under balk<br>h | Mått i mm |     |     |           |    | Vikt      |              |  |
|                          |        |                 | G         | M   | N   | T<br>(PE) | Δ  | Arm<br>kg | Pelare<br>kg |  |
| 3                        | T30A40 | 2800            | 220       | 180 | 640 | 160       | 12 | 145       | 18           |  |
| 3                        | T30A50 | 2800            | 220       | 180 | 700 | 160       | 12 | 161       | 18           |  |
| 3                        | T30A20 | 2800            | 220       | 180 | 580 | 160       | 12 | 113       | 18           |  |
| 3                        | T30A30 | 2800            | 220       | 180 | 640 | 160       | 12 | 129       | 18           |  |
| 3                        | T30B40 | 2760            | 255       | 180 | 680 | 200       | 12 | 207       | 28           |  |
| 3                        | T30B50 | 2760            | 255       | 180 | 740 | 200       | 12 | 229       | 28           |  |
| 3                        | T30B20 | 2760            | 255       | 180 | 620 | 200       | 12 | 163       | 28           |  |
| 3                        | T30B30 | 2760            | 255       | 180 | 680 | 200       | 12 | 185       | 28           |  |
| 3.5                      | T35C40 | 3212            | 310       | 180 | 740 | 240       | 17 | 313       | 34           |  |
| 3.5                      | T35C50 | 3212            | 310       | 180 | 800 | 240       | 17 | 344       | 34           |  |
| 3.5                      | T35C20 | 3212            | 310       | 180 | 680 | 240       | 17 | 252       | 34           |  |
| 3.5                      | T35C30 | 3212            | 310       | 180 | 740 | 240       | 17 | 283       | 34           |  |
| 3.5                      | T35D40 | 3152            | 360       | 180 | 800 | 300       | 17 | 435       | 51           |  |
| 3.5                      | T35D50 | 3152            | 360       | 180 | 860 | 300       | 17 | 477       | 51           |  |
| 3.5                      | T35D20 | 3152            | 360       | 180 | 740 | 300       | 17 | 351       | 51           |  |
| 3.5                      | T35D30 | 3152            | 360       | 180 | 800 | 300       | 17 | 393       | 51           |  |
| 4                        | T40E40 | 3581            | 415       | 180 | 870 | 360       | 20 | 687       | 73           |  |
| 4                        | T40E50 | 3581            | 415       | 180 | 930 | 360       | 20 | 744       | 73           |  |
| 4                        | T40E20 | 3581            | 415       | 220 | 850 | 360       | 20 | 573       | 73           |  |
| 4                        | T40E30 | 3581            | 415       | 220 | 910 | 360       | 20 | 630       | 73           |  |

\*Pelarhöjden (H och h) kan mot tilläggspris ökas