

# BENGTSSONS MASKIN AB

## PRODUCT CATALOGUE



# About Bengtssons Maskin

Bengtssons Maskin was founded back in 1913, but it was not until the 1950s we took a focus on mechanical transmissions. Over the years we have expanded with many more products to have as wide a range as possible.

This applies not least within our core areas, which are transmissions, high-pressure hydraulics and lifting. We have a workshop in Arlöv where we physically adapt our products as well.



## The Nordic & Baltic industry

We target industry companies in the Nordics and Baltics and collaborate with manufacturing partners from all over the world. In addition, we focus on only cooperating with suppliers who are leaders in their field.

### Indutrade

We are also part of Indutrade. This is an international industrial group that sells and develops components, systems and services with high technical content.

# Our history

The foundation for Bengtssons Maskin AB is laid when farmer Anders Bengtsson starts the company A. Bengtssons Maskinaffär AB on September 16, 1913.

**1913**

The Tindberg family sells the company Bengtssons Maskin to the Skåne-based company Wilhelm Sonesson AB. Gunnar Tindberg remains as CEO of Bengtssons Maskin.

**1978**

Gunnar Tindberg becomes head of the Dacke Komponent business unit, which includes Bengtssons Maskin, Carlsson & Möller and the Colly Group.

**1984**

Bengtssons Maskin forms Tools after acquisition of sister company Kaj Mandorfs. Gunnar Tindberg retires but remains on Indutrade's board.

**2004**

Bengtssons Maskin establishes its own purchasing company in Shanghai. Our own staff on site in China and close supplier contacts are a guarantee of high product quality.

**2011**

New Tools is created after layoffs.

**2014**

Bengtssons Maskin starts in Poland, Latvia, Lithuania.

**2022**

**1953** Dispatcher E Tindberg and family acquire Bengtssons Maskin AB.

**1982** AB Nils Dacke is formed from Wilhelm Sonesson AB and listed on the stock exchange. AB Nils Dacke initially consisted primarily of the companies Bengtssons Maskin, Carlsson & Möller and Sonesson Trading, which form the basis of today's Indutrade.

**1989**

AB Nils Dacke is acquired by Industrivärden. The technology sales business Dacke Komponent is retained by Industrivärden and changed its name to Indutrade.

**2005**

An acquisition in Denmark is carried out as part of Bengtssons Maskin's investment in expansion the collaboration with Danish manufacturing industry. Denmark also has a workshop specialized in the manufacture of short series of gears, pulleys and sprockets for Swedish customers as well.

**2013**

On September 16, 2013, Bengtssons Maskin AB celebrates 100 years.

**2017**

Nordic hydro tools - Anders Reitmaier is acquired

**2019**

Bengtssons Maskin starts operations in Norway and Finland.



## Customer Focus

It is always you as a customer who is in focus at Bengtssons Maskin. We help you become more competitive in your market, which also makes your company more profitable.

All of our products can be customized based on what you request and our competent employees are with you all the way from start to finish. Regardless of whether you want help already in the concept stage or later, we are at hand. Then we are with you right up to delivery.

Some of our important keywords are safety, efficiency, sustainability and profitability. In addition, we are always keen to be available to you as a customer and offer good support.

In addition to the work that takes place in our workshop in Arlöv, we are also at your service with advice on site at your company. We can also help with dimensioning and assembly.

# Strategy & Cooperation

Bengtssons Maskin collaborates with its partners at a strategic level in order to maintain an efficient purchasing process. We have extensive experience in sourcing and have a close network with our partners in Asia.

Together with our partners, we strive for a long-term and strategic collaboration. We also only work with partners and manufacturers that we know from experience can deliver quality and safe products.

As with our partners, we also aim for a long and close relationship with our customers. As a customer, we take care of finding the right manufacturer that suits your wishes. We are with you all the way – from prototype to storage. With a warehouse in Sweden, we can also guarantee a just-in-time delivery.



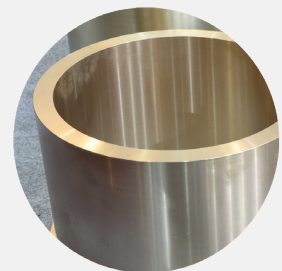
**TURNING**



**GEAR  
MANUFACTURING**



**MILLING**



**CASTING**

# Industries



## The automotive industry

Top quality mechanical components are an essential part of the automotive industry in order to produce safe vehicles. It does not matter if it is a heavy truck or an electric passenger car. Everything from the smallest gears to cardan shafts must be able to guarantee durability over time.



## Mining

In the mining industry, machines and products are required to have high durability in extreme environments. They are used both in mines and in open pits where safety is paramount to avoid accidents.



## Ergonomics

High-quality mechanical components are required for the manufacture of ergonomic products that facilitate work tasks in companies and simplify everyday life in private life. We manufacture mechanical components of the highest quality, but can also develop new ones based on your needs, whether it is about varying materials or surface treatment.



## Paper & Pulp

Wood is a renewable raw material that companies use in a number of different productions. So not just for the production of paper and pulp. They also produce biofuels, various building systems and dissolving pulp. We can help you develop and customize mechanical components. Our strength is that we have knowledge of areas of use within paper and pulp.



## Forest Industry

In the Nordic region, the forest industry is a large and important industry for both companies and the country's economy. For it to be profitable and efficient, everything from forest trailers to felling machines must be of the highest quality. This means that the mechanical components used must withstand rough terrain, heavy lifting and offer a safe workplace.



## Steel Industry

Production in the steel industry requires durable and safe mechanical components, regardless of what is being manufactured. You should always turn to a company that has knowledge of the areas of use for what you produce. Many times, mechanical components have to cope with high forces, low weights and precision manufacturing.



## Defense & Surveillance

When it comes to surveillance and defense machines, it is important that they work properly. Technological development is advancing rapidly and means that the demands placed on products are increasing. With us, you will find high-quality components for both defense and surveillance, and they are delivered to leading companies on the Nordic market.



## Packaging Industry

Here you will find all the components you need to be able to manufacture machines of a high standard that work both efficiently, environmentally friendly and economically. We have the parts you need in both transmission, hydraulics, lifting and torque.

Find more about industries on [www.bengtssons-maskin.com](http://www.bengtssons-maskin.com)



### Agriculture

In agriculture today, most things are done mechanically. Therefore, as a manufacturer of agricultural machinery, it is very important that you use mechanical components that are of the highest quality. We have the expertise on which components you need!



### Offshore

We offer customized solutions, first-class products in extremely corrosive environments. Also professional service in advanced handling equipment for both manned and unmanned marine vessels. We offer advice on site at you as a customer, regarding everything from dimensioning to assembly.



### Energy

Energy power plants are an important part of Sweden's electricity supply. It is therefore necessary that the products that the industry uses for the production are of very high quality. Mechanical components used in the reactor, the turbines and for the production must have a durability in extreme environments. We have the solutions!



### Medical Technology

If you, as a manufacturer of machines and systems in medical fields, are looking for professional help to be able to produce quality equipment, we are here Bengtssons Maskin AB the right supplier for you. We consult both regarding your project and customize the products based on your needs.



### Shipbuilding Industry

Mechanical components play a major role in the heavy shipbuilding industry. Here, the need for products that have enormous durability in extreme environments is extremely important. This means components that can provide high forces, low weights and long life cycles.



### Material Handling

We provide a wide range of products and services that enable a flexible and optimal design of material handling equipment. We are specialists in mechanical transmission systems and can offer our customers different components.



### Infrastructure

We are a company that works with products and customized solutions within all types of infrastructure. Our many years of experience in the industry means that we can offer different systems for more efficient production, which gives the customer greater profitability and competitiveness.



### Automation

Are you a producer of machines in automation? Then it is important to find components and mechanical transmissions of a high standard for your product. That's where we at Bengtssons Maskin can be of help. We have many years of experience and have great competence in our field.

# Heavy Duty

Products that are used in a tough environment where the requirements for strength and durability are very high.

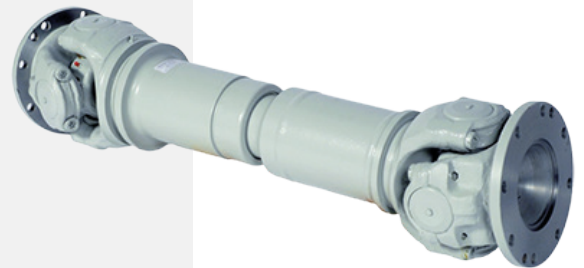
## Clamping elements

The ETP principle provides a number of important advantages for the customer: compact design, quick assembly, easy to position, good rotation, does not damage the contact surfaces and is easy to dismantle.



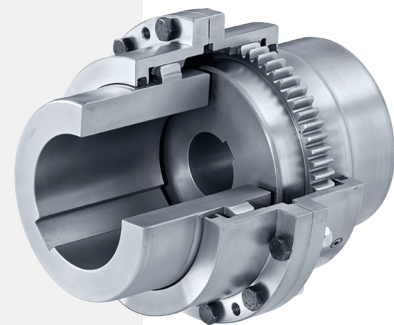
## Cardan shafts

Cardan shafts are in many cases one excellent alternative to shaft couplings when the distances between the shaft pins exceed approx. 500 mm. They are cost-effective and have a long service life.



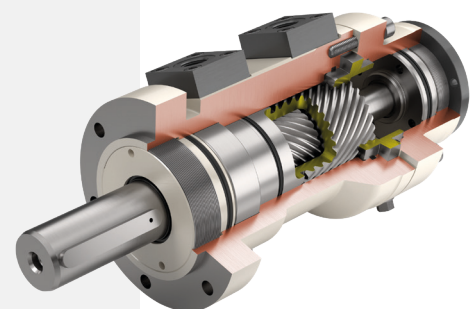
## Gear Couplings

Renk is one of the world's leading manufacturers of spur gear couplings. Only a limited range of standard couplings is presented on our website.



## Hydraulic turning devices

Hydraulically, you can create a turning movement and the turning device itself can absorb higher external mechanical stresses. Perfect for tilt movements and various types of applications where you have access to hydraulics.





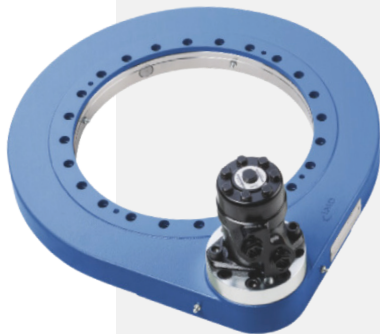
# Slew drives

Our slew drives from IMO are closed units, which means a high degree of reliability against external environmental influences and protects against both damage and lubricant loss, which gives longer durability and lower maintenance costs.



## WD series

Slew drive series WD is intended for intermittent operation. The torque transmission takes place with a worm screw and worm wheel and is the product on the market that provides the highest torque transmission in relation to its size and weight. Slew drive series WD can be operated hydraulically and electrically.



## SP series

Slew drive series SP (Spur Pinion) is intended for continuous operation. In the SP series, the torque transmission takes place with cylindrical gears and they are therefore not self-locking. In some applications, a brake may therefore be necessary.



## SP-H Open Solution

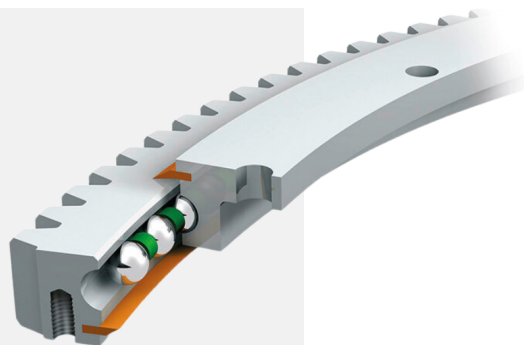
IMO has expanded their extensive standard range of pinion-driven IMO SP-H slew drives. Raceway diameters 1055, 1155, 1255, 1355 and 1455 were added. Due to their dimensions, IMO manufacture these slew drives as an open solution.

# Slewing rings

Our slewing ring bearings are designed to handle high axial, radial and tilting moments, making them reliable in demanding applications. They can be combined with different drive systems to adapt to specific machines and increase functionality.

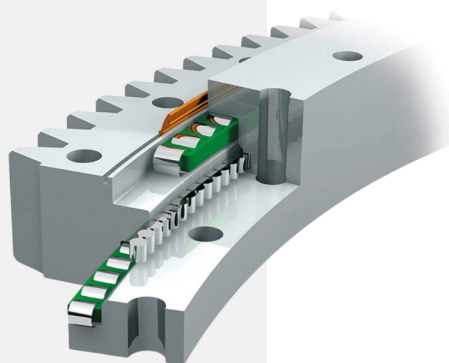
## Ball slewing rings

Single-row or double-row, four-point raceway geometry, enables robust constructions for tough usage conditions.



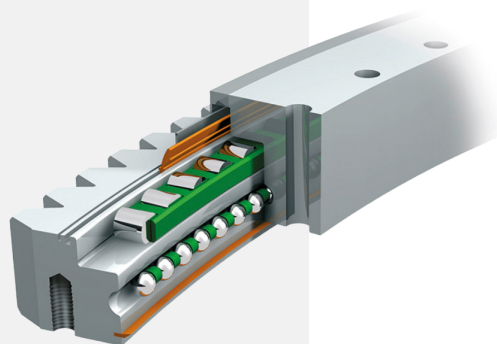
## Roller slewing rings

Single-row, double-row, or triple-row, top load with really small installation space, top requirements for even load distribution.



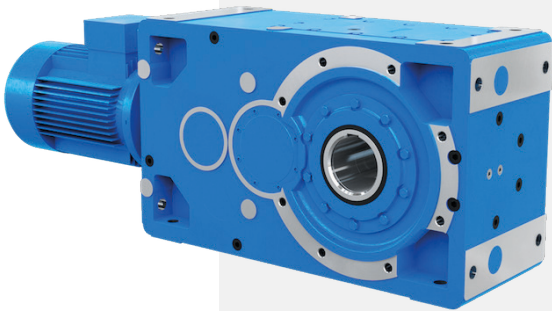
## Ball-roller combination slewing rings

Combination of roller and ball slewing rings, used for dominant axial force and low radial loads/tilting moments.



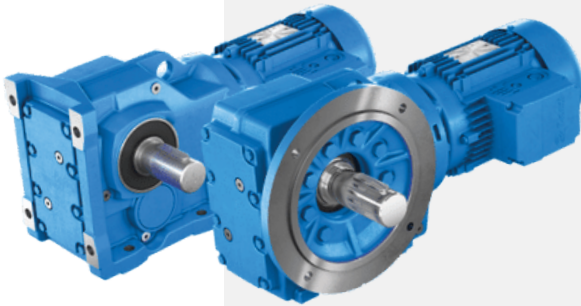
# Gears & Gearmotors

A wide range of gearmotors and gear reducers, combined with a high level of engineering expertise, decades of experience. Highest production quality and global services make Rossi a valuable partner if you need premium industrial gear.



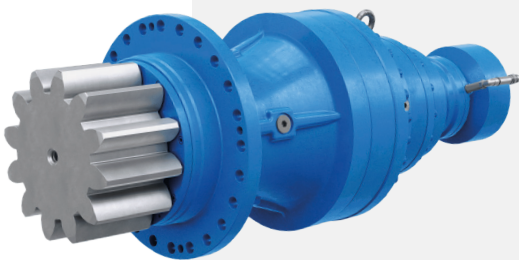
## Industrial

This series of gear reducers and gearmotors combines and exalts the traditional qualities of helical and bevel helical gear reducers (strength, accuracy, and reliability) with advantages derived from modern design, manufacturing and operating criteria.



## Coaxial

iFit, the innovative, international, interchangeable gearmotors equipped with compact IE3 premium efficiency electric motors and available with IoT based smart inverter. A compact design solution, fully interchangeable with a superior quality to Fit all industrial applications improving companies' productivity.



## Planetary

The planetary gearboxes are designed with the help of the most advanced technologies, exploiting the experience gained in all the most severe applications. A complete range of gearboxes, suitable for every type of product in the industrial field.

# Lifting Equipment

Lifting and transport equipment is an unavoidable part of many industrial processes. This means efficiently and safely moving machines and equipment within work areas.

## Jacks & Trolleys

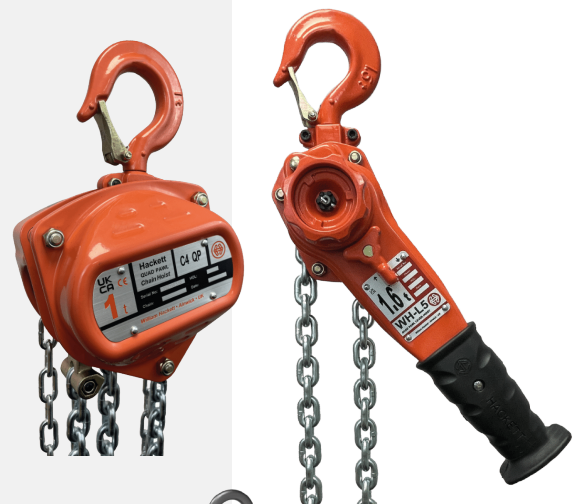
Whether manually moved or as a self-propelled variant, rotating or tandem chassis - JUNG offers a wide range of transport trolleys that ensure smooth in-house transport.

We also offer innovative hydraulic jacks that are both handy and strong, and that offer practical, daily use with a high level of product quality.



## Lever and chain hoists

William Hackett offers high quality lifting solutions. Explore their range of innovative lifting products, designed to meet the demands of various industries. With over 150 years of experience, William Hackett combines tradition with technical expertise to deliver reliable and efficient lifting solutions.



## RUD sling systems

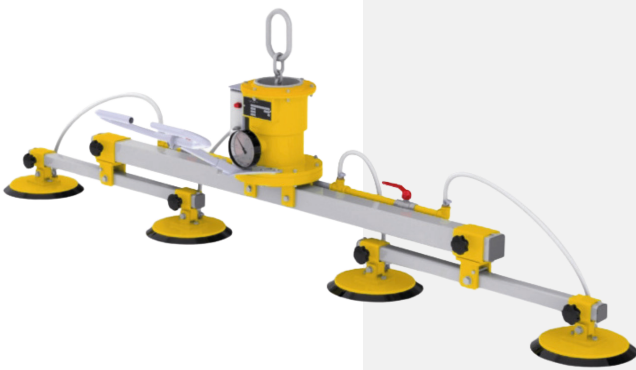
Tested lifting points- the full range of boltable fastening elements from M6 to M150, from 1/4" to 5" in different designs and weldable versions from 0.5 t to 100 t WLL. We also offer RUD-Lifting means CE-Grade 12, Grade 10 and Grade 8.





## Telfers

German Liftket Star (Electric) and Japanese Endo (Air Powered) telfers are renowned for their exceptional reliability and long-term economic benefits. Liftket Star, crafted with German precision, and Endo's air-powered solutions from Japan, offer robust and durable lifting solutions.



## Vacuum Lift

Our selection includes both self-generating vacuum lifts, eliminating the need for an external power source, and lifts equipped with electric vacuum pumps. This versatility allows you to choose the lifting solution that best fits your specific requirements.



## Spring balancer

Spring balancers are industrial tools used to suspend products and equipment to reduce the weight burden on workers and allow precise maneuverability of suspended tools and loads.



## Other liftings

On our website we have gathered other products within lifting. You will find various hand winches, slewing cranes, beam trolleys and lifting devices.

# Enerpac

Backed by a global legacy of ultra-reliable quality and superior precision, Enerpac is pushing the industry forward with a wide range of advanced industrial tools and services that first and foremost ensure our customers operate safely and productively every day.

## Hydraulic pumps

Enerpac hydraulic pumps are available in over 1,000 different configurations. Whatever your high pressure pump needs are, speed, control, intermittent or heavy-duty performance, you can be sure that Enerpac has a hydraulic power unit to suit the application.



## Pullers

A complete range of pullers with the widest range of sizes, capacities and styles. Whether your application requires a mechanical or hydraulic puller, these products can be customized to your requirements.



## Presses

Enerpac Hydraulic Presses are available in a wide variety of standard capacities and configurations, or you can "build your own" with the easy-to-use matrix. Enerpac press capacities range from 10-ton to 200-ton and are available in Arbor, Bench, H-Frame, C-Clamp and Roll-Frame models.



## Workholding

A complete range of well-designed products used to provide powerful clamping and positioning power to every type of manufacturing process.





## Bolting

Enerpac's Bolting Solutions caters to the complete bolting work-flow, ensuring joint integrity in a variety of applications throughout industry: Joint Assembly, Controlled Tightening and Joint Separation.



## Hydraulic cylinders

Whatever the industrial application, lifting, pushing, pulling, bending, holding, whatever the force capacity, stroke length, or size restrictions, single- or double-acting, solid or hollow plunger, you can be sure that Enerpac has the cylinder to suit your high force application.



## Flange Alignment Tools

Flange alignment tools are developed to rectify twist and rotational misalignment without additional stress in pipelines. Hydraulic cylinders, jacks and lifting wedges can also be used to assist in positioning and aligning.



## Rail Stressor Kit

The Enerpac RP70A is a lightweight Rail Stressing Kit that is designed for railway maintenance engineers with stressing, welding, rail failure repairs and servicing needs. Designed to be both durable and easy to assemble, its components are up to 3 times lighter than similar kits.

# Precision

Products with very high mechanical accuracy and efficiency. The products are manufactured by leading companies in their segment and examples of these companies are ETP, Spinea and Nexen.

## Planetary Gears

Our partner Reckon® offers two planetary gear series and each of these planetary gears has an in-line and a right angle configuration.



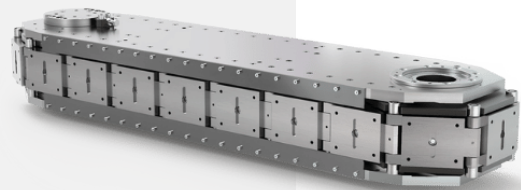
## Indexing Gears

Indexing gears and indexing tables are simple, proven and reliable machine elements. Bettinelli is a world-leading manufacturer from Italy.



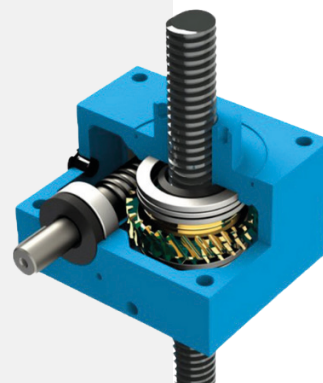
## Linear Conveyors

The industry's highest accuracy and repeatability for automated assembly and manufacturing machines. They are specifically used on machines that require stability, precision, high speeds and low maintenance.

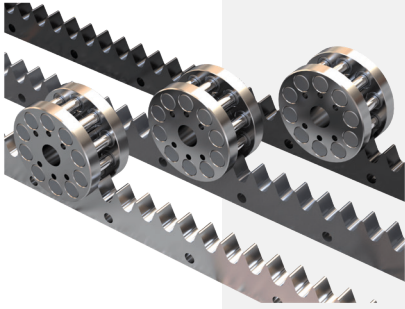


## Hydraulic Jacks

Hydraulic jacks from UNIMEC SpA are easy to use, reliable and require a minimum of maintenance. This makes them a very useful machine element in many different contexts.







## RPS system

The Nexen RPS system for linear and rotary precision movements. The Nexen RPS system offers unique accuracy and repeatability - with absolutely no backlash.



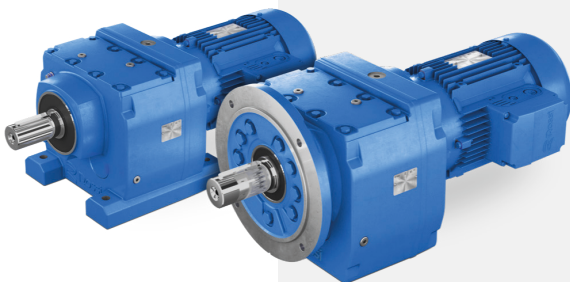
## Clamping Elements

The ETP principle provides a number of important advantages for the customer: compact design, quick assembly, easy to position, good rotation, does not damage the contact surfaces and is easy to dismantle.



## Special screws

We sell a very large range of special screws from NBK in Japan. The range includes screws for vacuum applications, plastic screws, miniature screws etc.



## Gear Motors

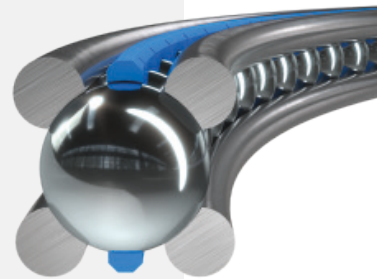
With Rossi's product range, we have the world's widest range of gears. The gears from Rossi can be combined with other products from our range, such as slewing rings, cardan shafts and clamping joints.

# Rotational & Linear movement

Meet our supplier: Franke GmbH. For over 70 years, the German company has produced and supplied innovative solutions and products in linear systems and bearing units.

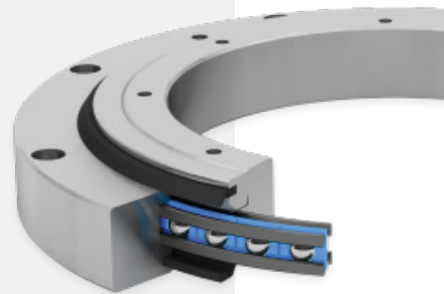
## Bearing Elements

Franke bearing elements can be integrated directly into your design. You can easily assemble them yourself. The bearing element can be adapted in form and material bespoke to your requirements, for example by choosing amagnetic ceramic rolling elements.



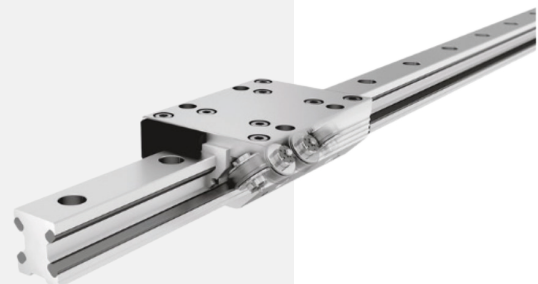
## Bearing Assemblies

Bearing assemblies can be mounted even more easily than bearing elements. They are available in every size, with individual bores and toothings and in numerous materials such as aluminium, stainless steel, carbon or as a 3D printed housing.



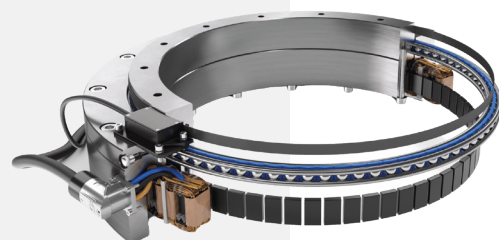
## Linear systems

Franke linear systems are the first choice when highest dynamics are required. The large rollers are mounted very smoothly. They run with low friction and precisely guided on the inserted tough and hard steel wires. Because almost exclusively light aluminum is used for the entire construction, the moving mass is low.



## Direct Drive

We also offer complete customized positioning and drive units, optionally with proximity switch, coupling and motor. Systems with direct drive are a particular strength of Franke. They are used, for example, in many computer tomographs of renowned manufacturers.



# Reduction Gears & Actuators

The products of Spinea are suitable for applications, which require high reduction gear ratio, high kinematic precision, zero backlash motion, high torque capacity, high rigidity, compact design in a limited installation space, as well as low weight.



## Reduction Gears TwinSpin series

Spinea TwinSpin backlash-free cycloid gears represent a completely new generation of transmission solutions with the highest precision. They are based on a patented construction consisting of axial and radial bearings.



## Actuators DriveSpin

Spinea's Drivespin technology is a breakthrough in precision rotary motion. Featuring a patented trochoidal gear mechanism, Drivespin delivers high torque in a compact design, making it ideal for space-constrained applications. Its minimal backlash and high positional accuracy ensure precise motion control.



# Mechanical Clamping Element

All mechanical clamping elements are based on the principle of cones sliding against each other. The sliding, and thus the radial expansion, is achieved by means of a number of radial screws.



# Precision chains

Here you will find roller chains of all types and sizes. Our partner IWIS also produces roller chains with brackets and special chains with group chains, leaf chains, conveyor chains and many other models.



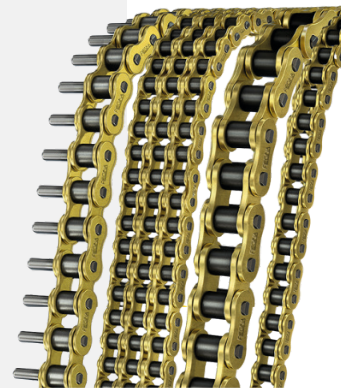
# Miniature Couplings

For encoders, servo motors and stepper motors - we have the right coupling for your applications. The range includes a very large selection of couplings in various designs, all with their unique properties.



# Roller Chains

Regina has been producing standard and specialized chains for over 90 years. They are internationally renowned for the outstanding quality of their power transmission chains. Material selection and function can be varied endlessly and gives us great opportunities to find effective solutions for most applications.



# Conveyor Chains & Modular Belts

Regina Catena plastic & steel chains and modular belts are a very extensive product range and impossible to present in detail on the website. A product catalog is available in pdf format under each product group.





## Service, Education & Rental

At our service workshop, you can rely on our team to expertly handle the maintenance and repair of your tools. Continuous support from our suppliers ensures that our operations are carried out with the highest standards of quality.

As the premier Enerpac distributor in the Nordics, we proudly maintain authorized service workshops at all stages. Moreover, we extend our services to on-site maintenance and provide comprehensive repairs for all brands available in the market.

### **Calibration workshop**

In our calibration workshop in Arlöv, we can measure all types of tools. Everything from manual torque wrenches to pneumatic, hydraulic or battery/ electrically controlled tools. Torque wrenches Max 3000 Nm Other Max 33000 Nm. In the near future 80 000 Nm.

### **We offer training**

Did you know that we also offer education? We offer training in Hydraulics, Torque and Bolting. Together with our suppliers, we can arrange customized, in-depth and product-oriented training.

With our course, you will gain a deeper knowledge of what hydraulics is and how you can use your equipment in a safe manner according to current rules and regulations.

### **Rent our products**

To see the range we have for rent, please see the list on our website.

Larger projects? Please contact Dalibor Kendes for more information.

# Contact us

Feel free to reach out to us at any time – our dedicated team is here to assist you! Whether you have questions, need support, or want to inquire about our services, you can contact us via phone, email, or through our website. Contact us today for a prompt and personalized response.

**Telephone:** +46 40 680 73 00

**Mail:** [info@bengtssons-maskin.se](mailto:info@bengtssons-maskin.se)

**Order:** [order@bengtssons-maskin.se](mailto:order@bengtssons-maskin.se)

**Quality:** [quality@bengtssons-maskin.se](mailto:quality@bengtssons-maskin.se)

Looking for someone specific? Below you will find all our salespeople in different areas and countries.

## Tools

### DALIBOR KENDES



**Sales Manager**

[dalibor.kendes@bengtssons-maskin.se](mailto:dalibor.kendes@bengtssons-maskin.se)

+46 40 680 73 15

+46 70 544 15 55

### FREDRIK DALBERG



**Technical Sales**

[fredrik.dalberg@bengtssons-maskin.se](mailto:fredrik.dalberg@bengtssons-maskin.se)

+46 40 680 73 30

+46 70 646 39 13

### ANDERS REITMAIER



**Technical Sales Workholding**

[anders.reitmaier@bengtssons-maskin.se](mailto:anders.reitmaier@bengtssons-maskin.se)

+46 40 680 73 24

+46 70 880 19 24

# Transmission

**PETER STERNER**



**Sales Manager**  
peter.sterner@bengtssons-maskin.se  
+46 40 680 73 09  
+46 705 75 23 50

**ANDERS CRONBRING**



**Key Account Manager – Götaland**  
anders.cronbring@bengtssons-maskin.se  
+46 40 680 73 08  
+46 705 20 29 93

**JOHN HAGLUND**



**Precision Products – Nordic**  
john.haglund@bengtssons-maskin.se  
+46 40 680 73 11  
+46 70 779 6620

**RICKARD JÖRLÖV**



**Business Area Manager**  
rickard.jorlov@bengtssons-maskin.se  
+46 40 680 73 01  
+46 706 59 04 10

**MARTIN RONNEFALK**



**Sales Engineer – Svealand**  
martin.ronnefalk@bengtssons-maskin.se  
+46 40 680 73 36  
+46 701 80 14 10

**ROBERT JERVÅNG**



**Sales Engineer – Norrland**  
robert.jervang@bengtssons-maskin.se  
+46 40 680 73 31  
+46 705 09 97 72

**ROY THORSTENSEN**



**Sales Engineer – Norway**  
roy.thorstensen@bengtssons-maskin.no  
+47 913 50 858

**HENRIK ANDERSEN**



**Sales Engineer – Denmark**  
henrik.andersen@bengtssons-maskin.dk  
+45 51 96 17 68

**KARI POROTÄHTI**



**Sales Engineer – Finland**  
kari.porotahti@bengtssons-maskin.fi  
+358 407 779 336

**TOMASZ PAWŁOWSKI**



**Area Sales Manager - Poland**  
tomasz.pawlowski@bengtssons-maskin.pl  
+48 500 825 671



Address: Företagsvägen 14, Arlöv

Website: [www.bengtssons-maskin.se](http://www.bengtssons-maskin.se)

Telephone: +46 40 680 73 00

