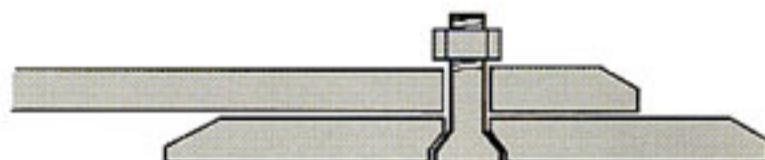
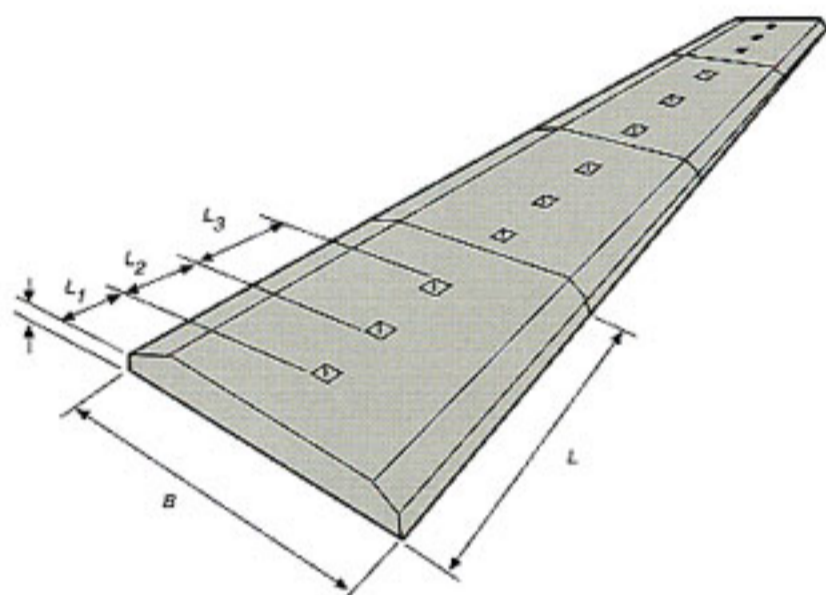


# Sparskär

Best nr	Antal/maskin	B mm	T mm	L mm	Vikt kg/st	Bult+mutter	Referens nr	Passar till maskintyp
56300	3	220	16	710	20	M16x50+M16	4857492-5	BM 4200 stand
56302	3	220	16	768	22	M16x50+M16	4857493-3	BM 4200B stand
56316	4	250	20	608	24	3/4"x63+3/4"	4857494-1	BML70, 6300, 4300 st, 621, 641, 622, 642
56341	4	300	20	626	30	3/4"x63+3/4"	4857495-8	BM 4300, 4300 st, 4400, 841
56317	5	250	25	608	30	1"x63+1"	4859042-6	BM 4300
56361	4	320	25	626	40	1"x70+1"	4858167-2	BM 4400, 4300B
56362	4	320	25	686	44	1"x70+1"	4857496-6	BML 90, 4500
56378	4 el 5	350	30	800	67	1"x76+1"	4857497-4	BM 4600
56379	4 el 5	350	35	800	78	1"x76+1"		BM 4600
56431	2	461	25	622	57	3/4"x70+3/4"	11011154-9	BML 120
56377	1	350	25	1 600	112	3/4"x70+3/4"	11011153-1	BML 120
56332	2	280	25	1 162	65	1"x70+1"	IU0292	Cat 936
56371	2	342	30	160	13	1"x70+1"	4T8091	Cat 936
56390	2	360	30	1 210	105	1"x76+1"	IU0601	Cat 950
56441	2	496	35	170	24	1"x76+1"	3G9512	Cat 950
56393	2	360	30	1 319	114	1 1/4"x98+1 1/4"	IU0593	Cat 966D,E
56446	2	510	35	200	29	1 1/4"x98+1 1/4"	3G6395	Cat 966D,E
56422	2	400	35	1 406	160	1 1/4"x98+1 1/4"	IU0762	Cat 980C
56451	2	556	40	265	47	1 1/4"x98+1 1/4"	IU0761	Cat 980C
56365	3	330	35	1 056	98	1"x76+1"	IU2411	Komatsu 420, 470



Pris och andra dimensioner på begäran.

## Bult och mutter

### Sparskärsbult, FH

Best nr	Dimension	Vikt kg/st
55723	M16x50	0,10
54000	3/4"x57	0,14
54203	3/4"x63	0,15
54204	3/4"x70	0,17
54200	1"x63	0,29
54206	1"x70	0,31
54207	1"x76	0,33
54208	1"x82	0,35
54210	1 1/4"x100	0,64

### Mutter

Best nr	Dimension	Vikt kg/st
55734	M16	0,03
54301	3/4"	0,05
54302	1"	0,12
54303	1 1/4"	0,24

