

Online CAM-Interface for Central Tool Library

The module enables a CAM system to have online access to the central *WinTool* library. In a few seconds a NC-programmer finds a suited tool and load geometries and cutting values to his CAM tool manager. Collision points and adjustment settings can be verified and a 3D tool assembly model will be automatically generated. For a finished NC-program the CAM module writes the tool list back to *WinTool*. On the shop floor the list can immediately be accessed or printed including tool graphics and detailed setup instructions.

Features

Tool Access

- New *WinTool* toolbar in CAM system for online data access.
- Tool selection window with filter options for selection of tool assemblies or lists.
- Automatic transfer of tool ID, tool description, geometry and cutting data.
- Automatic 3D models for rotational tools and tool solid import for special/ non-symmetric tools (all native formats supported).

CAM Export

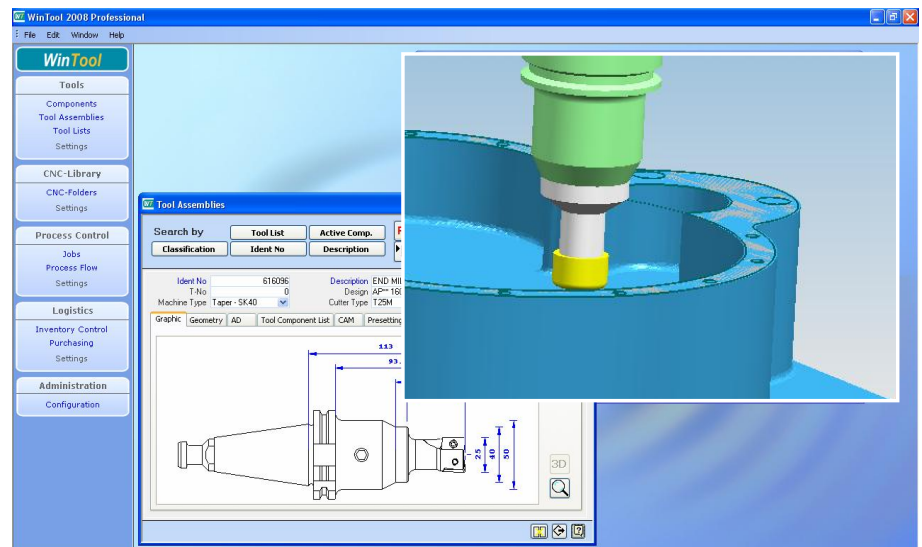
- Automatic generation of *WinTool* list from tools used in NC-program incl. T-No, offset memory, and cycle time.

Comment

- *WinTool* CAM-Interfaces might have different features depending on CAM system design.

Requirements

- *WinTool* Basis Module



Main Tasks

- Program with exact tool geometries, 3D models, and cutting values.
- Specify and document realistic tool assemblies quickly and with available components.
- Get good tool data into CAM with minimal effort.
- Get cutting data work material related.
- Generate a tool list automatically from NC-program.

Your Benefits

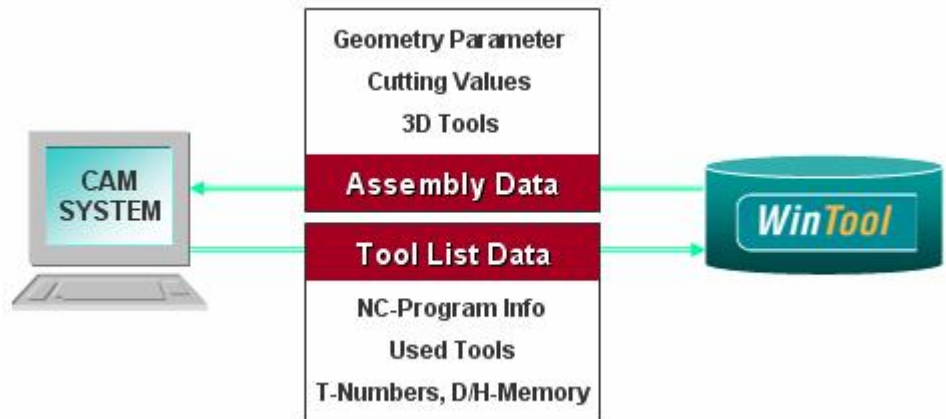
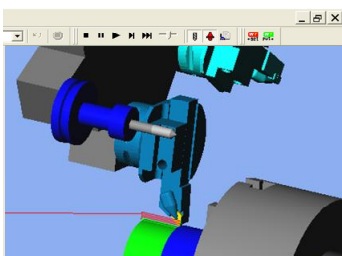
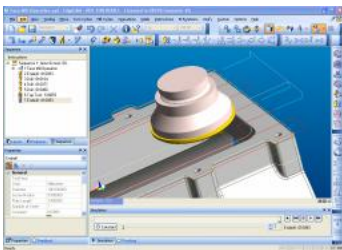
- Online access to real tool data shared with tool crib and engineering.
- Use your tools with optimal cutting values.
- Get 3D models with little effort and check all programs for collisions.
- Make detailed tool setup documentation/files automatically available online.

DATOS

www.wintool.com

CAM Interfaces

Being Used Successfully Every Day



“WinTool allows me to find all available tools with specifications on my screen. I can pop a new tool assembly together in less than a minute and program with precise 3D tool models including shaft, extensions, and holder. For example a WinTool tap model shows even chamfer length and angle so I can verify whether my program cuts the threat all the way through or not. Things that cost us a hell of a lot, if found out only in assembling.”

Craig Green (Engineering Manager), Belvac Production Machinery/USA



DATOS



www.wintool.com