

# WALL-MOUNTED CABINETS

info@fracksystems.se  
+46 854063722



Z|BOX

SU

SD

SJ

WALL-MOUNTED CABINETS

# Z|BOX 19" WALL-MOUNTED NETWORK CABINET



Cabinet with glass door



Cabinet with steel solid door

## SINGLE-SECTION CABINET WITH REMOVABLE SIDE PANELS

- Designed for indoor applications.
- Available in 1 depth (600 mm) and 5 usable heights (from 6 to 18 U).
- The cabinet is made of bolted framework (composed of 3 frames), top plate, bottom plate, side panels, rear panel and front door.
- Cabinet is equipped with two adjustable 19" mounting profiles.
- Top and bottom plates have cable openings covered with knock-out blanking plates, and 3 venting holes for each plate.
- Door, side panels and mounting profiles can be installed without tools.
- The entire weight of the devices installed inside the cabinet is transferred onto its framework.
- Side panels can be removed after opening the door.

### TECHNICAL DATA

**Protection degree**

IP 20 in accordance with EN 60529

**Maximum load capacity**

100 kg

**Material**

sheet steel, safety glass, aluminium profiles

**Surface finishing**

frame, steel door, panels, top and bottom plates, glass door side profiles – powder paint, light grey (RAL 7035). Mounting profiles – Al-Zn coated.

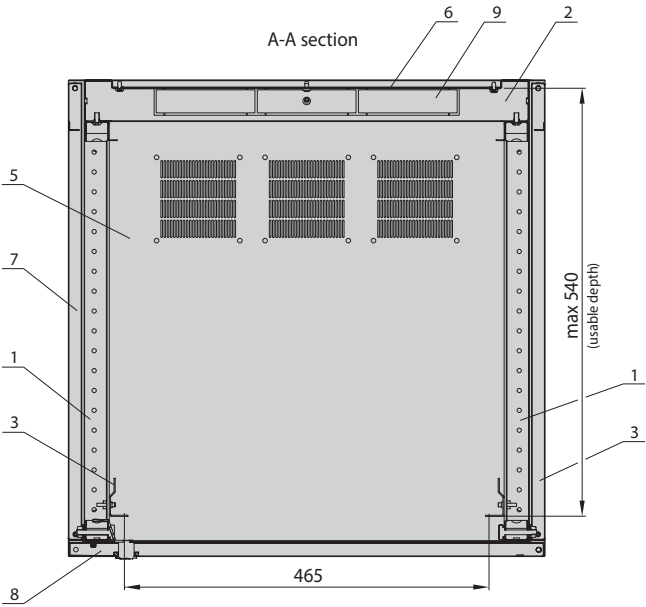
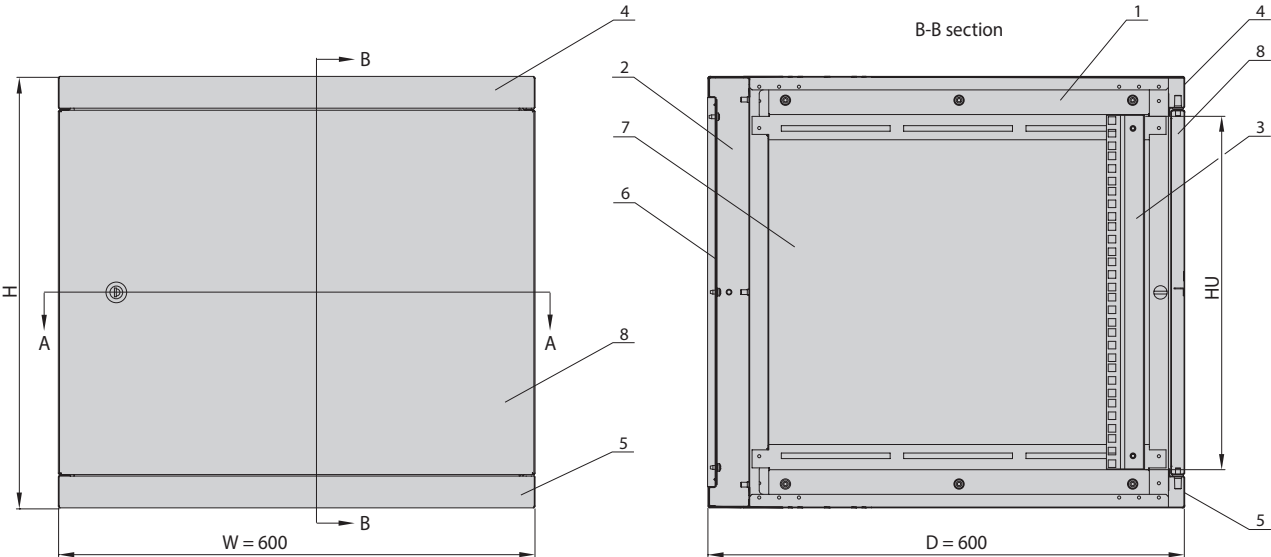
### SCOPE OF DELIVERY

Frame, bottom plate, top plate, door, 2 side panels, rear panel, 2 mounting profiles, template for drilling holes in the wall.

### REFERENCE CHART

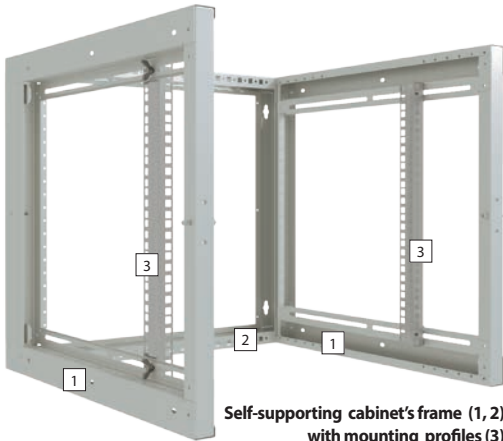
External dimensions			Usable height HU [U = 44.45 mm]	Catalogue number	
Width W [mm]	Depth D [mm]	Height H [mm]		Cabinet with steel solid door	Cabinet with glass door
600	600	899	18 U	WZ-7240-20-M5-011	WZ-7240-20-A5-011-BNP
		765	15 U	WZ-7240-20-M4-011	WZ-7240-20-A4-011-BNP
		632	12 U	WZ-7240-20-M3-011	WZ-7240-20-A3-011-BNP
		543	10 U	WZ-7240-20-M2-011	WZ-7240-20-A2-011-BNP
		365	6 U	WZ-7240-20-M1-011	WZ-7240-20-A1-011-BNP

# WALL-MOUNTED NETWORK CABINET Z|BOX 19"



### DESIGN

- 1. Side part of cabinet's frame
- 2. Rear part of cabinet's frame
- 3. Mounting profile
- 4. Top plate
- 5. Bottom plate
- 6. Rear panel
- 7. Side panel
- 8. Door
- 9. Knock-out blanking plate



See the video:  
zpas.pl/qr/f11

# SU 19" WALL-MOUNTED NETWORK CABINET



SU cabinet 12 U high with safety glass door



SU cabinet 6 U high - rear view



SU cabinet 6 U high with safety glass door

## SINGLE-SECTION CABINET WITH REMOVABLE SIDE PANELS

- Designed for indoor applications.
- Available in 6 usable heights (see reference chart).
- The design of the cabinet is based on dismantlable frame with safety glass or steel front door and removable rear and side panels.
- Standard version is equipped with two adjustable 19" mounting angles, a knock-out blanking plate and a brush opening (potential cable entry point).
- The rear and side panels, as well as steel door, are provided with earthing connections.
- Cabinets can be fastened directly to the wall without using any brackets - convenient internal access to wallfixing screws.
- Easy change of door opening direction and cable opening layout by rotating by 180°.
- Wide range of supplementary accessories: shelves, drawers, fan kit, power strips etc.
- Cabinet can be equipped with additional rear adjustable 19" mounting angles or mounting profiles.

### TECHNICAL DATA

#### Material

Frame, rear and side panels, mounting angles - sheet steel  
 Door - safety glass or sheet steel

#### Surface finishing

Frame and mounting angles – Al-Zn coated.  
 Steel door, side panels and rear panel – powder paint, light grey (RAL 7035). All other colour options on request.

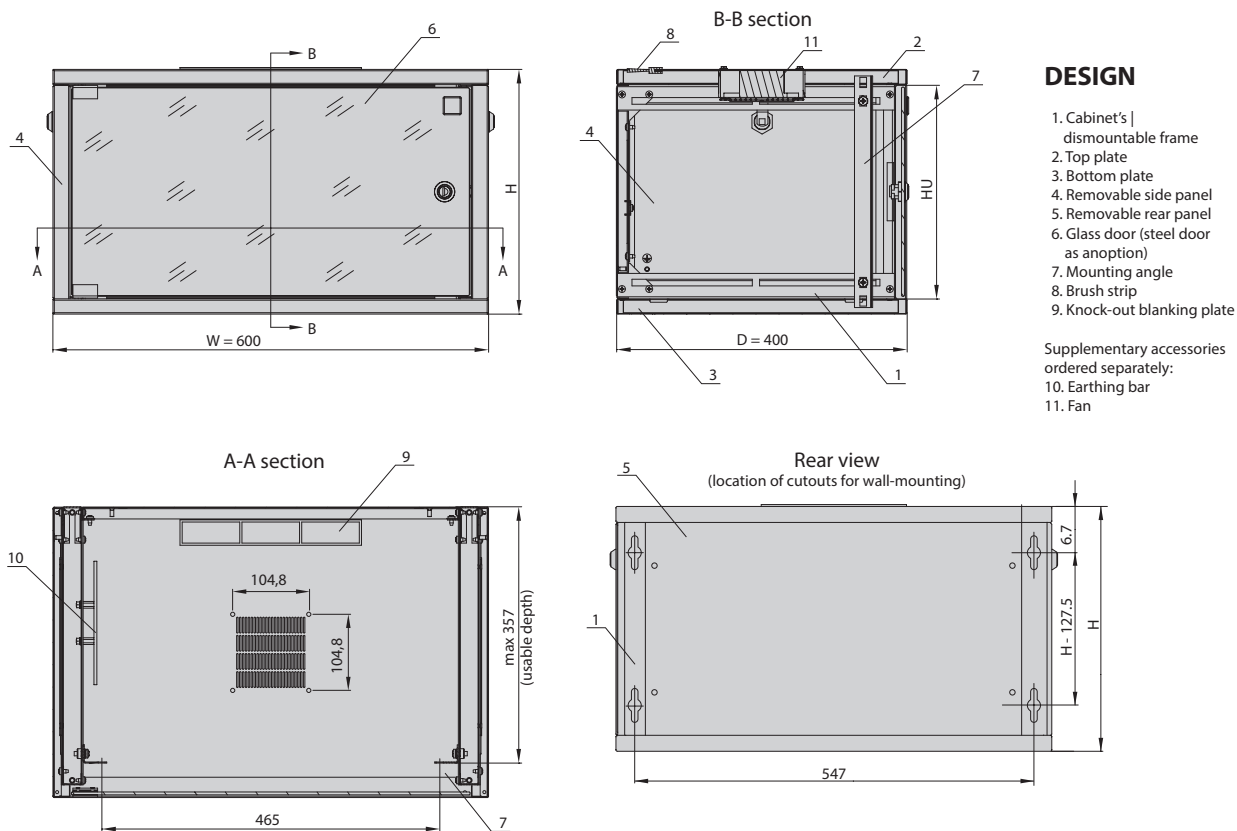
#### Protection degree

IP 20 in accordance with EN 60529  
 (does not apply to brush cable entries).

### SCOPE OF DELIVERY

Frame, bottom plate, top plate, door, 2 side panels, rear panel, 2 mounting angles, brush, template for drilling holes in the wall.

WALL-MOUNTED NETWORK CABINET **SU** 19"



REFERENCE CHART

Packing method	Width W [mm]	Depth D [mm]	Height H [mm]	Usable height HU [U = 44.45 mm]	Maximum load capacity [kg]	Catalogue number	
						Cabinet with glass door	Cabinet with steel door
Assembled cabinet	600	400	871	18 U	45	WZ-2733-01-S6-011	WZ-2733-01-M6-011
			737	15 U	37	WZ-2733-01-S5-011	WZ-2733-01-M5-011
			604	12 U	30	WZ-2733-01-S4-011	WZ-2733-01-M4-011
			515	10 U	25	WZ-2733-01-S3-011	WZ-2733-01-M3-011
			337	6 U	15	WZ-2733-01-S2-011	WZ-2733-01-M2-011
			248	4 U	10	WZ-2733-01-S1-011	WZ-2733-01-M1-011
Cabinet in a flat pack for self assembly	600	400	871	18 U	45	WZ-2733-01-F6-011	-
			737	15 U	37	WZ-2733-01-F5-011	-
			604	12 U	30	WZ-2733-01-F4-011	-
			515	10 U	25	WZ-2733-01-F3-011	-
			337	6 U	15	WZ-2733-01-F2-011	-
			248	4 U	10	WZ-2733-01-F1-011	-

# SD 19" WALL-MOUNTED NETWORK CABINET



SD cabinet 12 U with safety glass door

## DOUBLE-SECTION CABINET

- Designed for indoor applications.
- Available in 5 usable heights (see reference chart).
- Consists of two basic parts:
  - 19" part with safety glass or steel door,
  - wall-mounted part with removable rear panel.
- A standard cabinet is equipped with two easily adjustable mounting angles spaced at 19°.
- The steel door and rear panel are provided with earthing cables.
- The wall part of the cabinet has two cable openings. One cable opening is completed with a brush strip, the other is covered with knock-out blanking plate.
- The door opening direction and cable opening layout can be easily changed by rotating the cabinet by 180°.
- Wide range of supplementary accessories: shelves, drawers, fan kit, power strips, blanking plates, earthing bar etc.
- Cabinet can be equipped with additional rear adjustable 19" mounting angles or mounting profiles.



SD cabinet - rear view

## TECHNICAL DATA

### Material

Body, rear panel, mounting angles - sheet steel  
 Door - safety glass or sheet steel

### Surface finishing

Body, steel door and rear panel - powder paint, light grey (RAL 7035). All other colour options on request.  
 Mounting angles - Al-Zn coated.

### Protection degree

IP 20 in accordance with EN 60529  
 (does not apply to brush cable entries).

## SCOPE OF DELIVERY

Double-section body, door, rear panel, earthing cable for rear panel, door earthing cable (only for steel door), 2 mounting angles, brush, template for drilling holes in the wall.

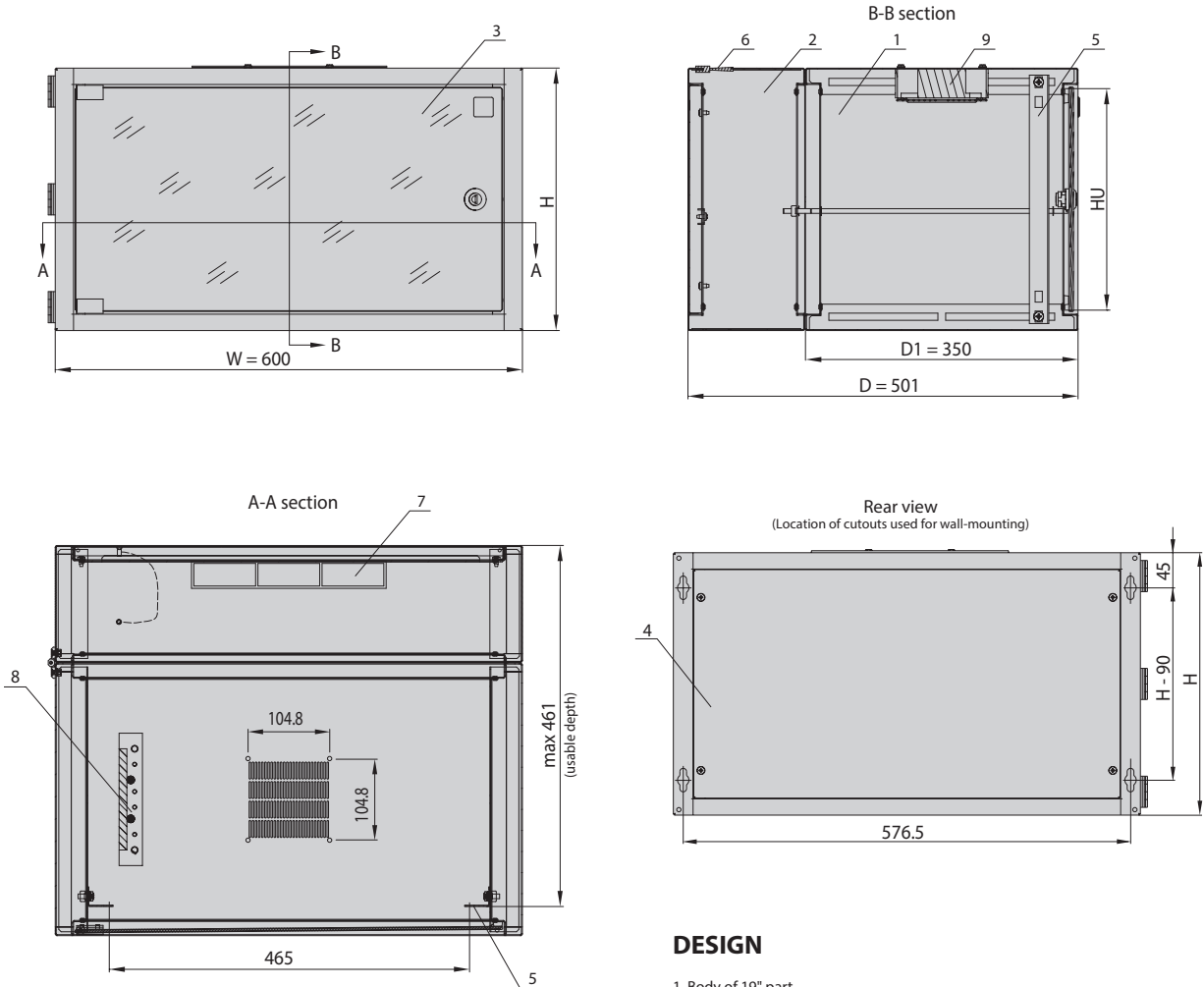


Bottom plate of SD cabinet



Top plate of SD cabinet

WALL-MOUNTED NETWORK CABINET **SD 19"**



**DESIGN**

1. Body of 19" part
2. Body of wall part
3. Glass door (steel door as an option)
4. Rear panel
5. Mounting angle
6. Cable entry
7. Knock-out blanking plate

Supplementary accessories ordered separately:  
 8. Earthing bar  
 9. Fan

**TABELA WYKONAŃ**

Width W [mm]	Depth D [mm]	Depth of 19" part D1 [mm]	Heigh H [mm]	Usable height HU [U = 44.45 mm]	Maximum load capacity [kg]	Catalogue number	
						Cabinet with glass door	Cabinet with steel door
600	501	350	871	18 U	30	WZ-3505-01-05-011	WZ-3505-01-M5-011
			737	15 U	30	WZ-3505-01-04-011	WZ-3505-01-M4-011
			604	12 U	30	WZ-3505-01-03-011	WZ-3505-01-M3-011
			515	10 U	20	WZ-3505-01-02-011	WZ-3505-01-M2-011
			337	6 U	20	WZ-3505-01-01-011	WZ-3505-01-M1-011

# SJ 19" WALL-MOUNTED NETWORK CABINET



SJ cabinet 12 U with safety glass door



SJ cabinet 18 U with safety glass door

## SINGLE-SECTION CABINET

- Designed for indoor applications.
- Available in 2 depths and 5 usable heights (see reference chart).
- The design of the cabinet is based on a metal body with safety glass door and removable rear panel.
- A standard cabinet is equipped with two easily adjustable mounting angles spaced at 19".
- The steel door and rear panel are provided with earthing cables.
- The body of the cabinet has two cable openings. One cable opening is completed with brush strip, the other with knock-out blanking plate.
- The door opening direction and cable opening layout can be easily changed by rotating the cabinet by 180°.
- Wide range of supplementary accessories: shelves, drawers, fan kit, power strips etc.
- Cabinet can be equipped with additional rear adjustable 19" mounting angles or mounting profiles.

## TECHNICAL DATA

### Material

Body, rear panel, mounting angles - sheet steel  
 Door - safety glass or sheet steel

### Surface finishing

Powder paint, light grey (RAL 7035).  
 All other colour options on request.

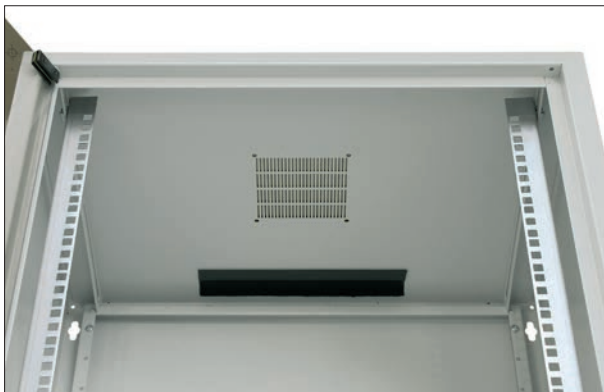
Mounting angles - Al-Zn coated.

### Protection degree

IP 20 in accordance with EN 60529  
 (does not apply to brush cable entries).

## SCOPE OF DELIVERY

Single-section body, door, rear panel, earthing cable for rear panel, door earthing cable (only for steel door), 2 mounting angles, brush, template for drilling holes in the wall.



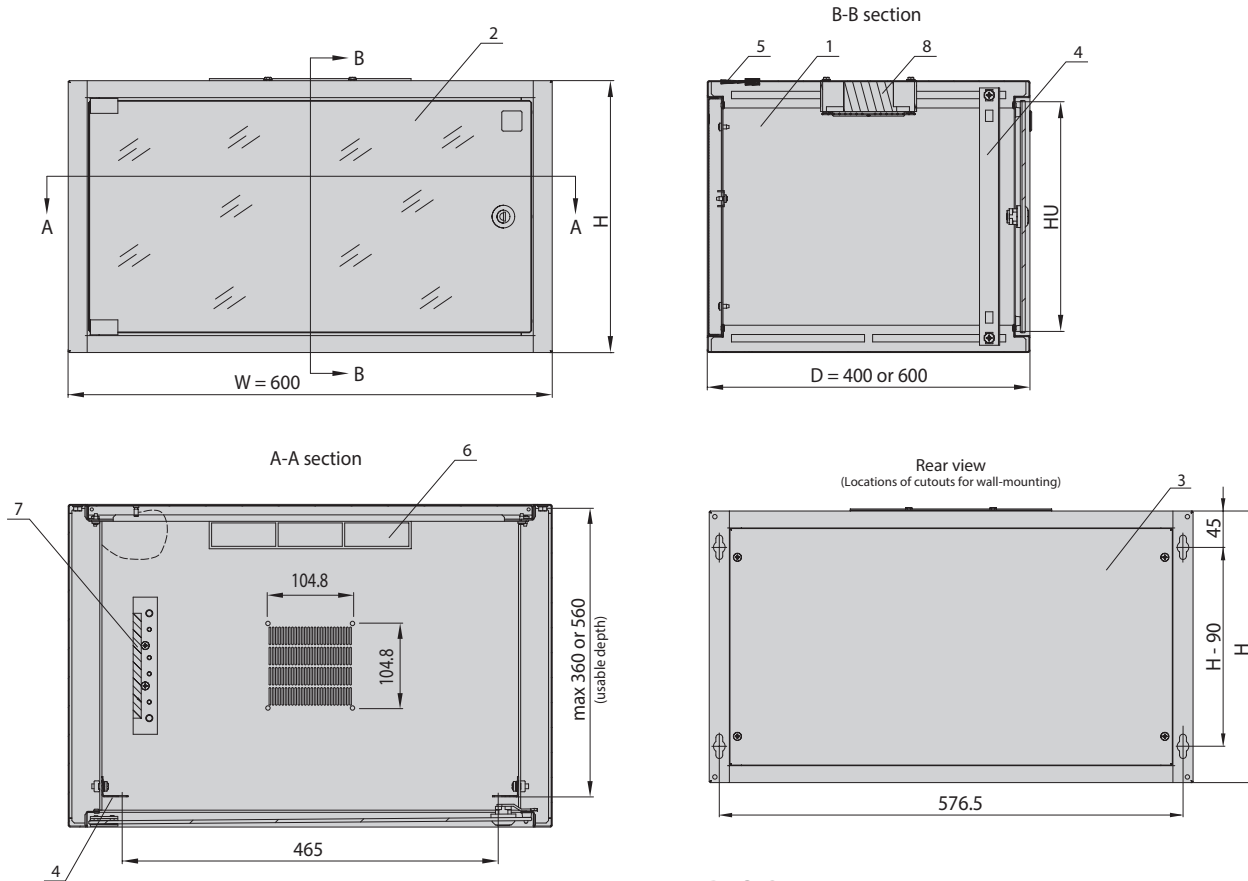
Top plate of SJ cabinet



Bottom plate of SJ cabinet



WALL-MOUNTED NETWORK CABINET **SJ 19"**



**DESIGN**

- 1. Cabinet's body
- 2. Glass door (steel door as an option)
- 3. Rear panel
- 4. Mounting angle
- 5. Brush strip
- 6. Knock-out blanking plate

Supplementary accessories ordered separately:  
 7. Earthing bar  
 8. Fan

**REFERENCE CHART**

Width W [mm]	Depth D [mm]	Height H [mm]	Usable height HU [U = 44.45 mm]	Maximum load capacity [kg]	Catalogue number	
					Cabinet with glass door	Cabinet with steel door
600	600	871	18 U	30	WZ-3715-01-05-011	WZ-3715-01-10-011
		737	15 U	25	WZ-3715-01-04-011	WZ-3715-01-09-011
		604	12 U	25	WZ-3715-01-03-011	WZ-3715-01-08-011
		515	10 U	20	WZ-3715-01-02-011	WZ-3715-01-07-011
		337	6 U	20	WZ-3715-01-01-011	WZ-3715-01-06-011
600	400	871	18 U	40	WZ-3504-01-05-011	WZ-3504-01-M5-011
		737	15 U	35	WZ-3504-01-04-011	WZ-3504-01-M4-011
		604	12 U	30	WZ-3504-01-03-011	WZ-3504-01-M3-011
		515	10 U	30	WZ-3504-01-02-011	WZ-3504-01-M2-011
		337	6 U	25	WZ-3504-01-01-011	WZ-3504-01-M1-011

SUPPLEMENTARY ACCESSORIES FOR WALL-MOUNTED CABINETS



**Mounting profiles, mounting angles**

**z|BOX** cabinet is factory equipped with one pair of mounting profiles. The second pair of mounting profiles is available as an accessory to be ordered separately.

**SD** and **SJ** cabinets have one pair of mounting angles which can be replaced with mounting profiles or can be supplemented by two additional mounting angles.

Mounting profiles are applied in wall-mounted cabinets, for example, when a shelf requiring four fixing points is to be installed (see page 52).

**Material**

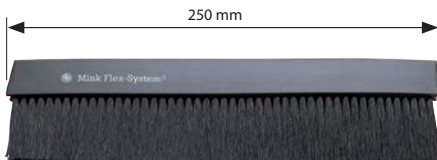
Sheet steel, Al-Zn coated

**Scope of delivery**

One set consisting of two mounting angles/profiles with fixing accessories.

Product name	Length [U = 44.45 mm]	Catalogue number	Picture
Set of 19" mounting profiles for <b>zBOX</b> cabinet	4 U	WZ-7240-31-01-000	
	6 U	WZ-7240-31-02-000	
	10 U	WZ-7240-31-03-000	
	12 U	WZ-7240-31-04-000	
	15 U	WZ-7240-31-05-000	
	18 U	WZ-7240-31-06-000	
Set of 19" mounting profiles for <b>SU, SD, SJ, SJB</b> cabinets	4 U	WZ-3839-15-01-000	
	6 U	WZ-3504-15-01-000	
	10 U	WZ-3504-15-02-000	
	12 U	WZ-3504-15-03-000	
	15 U	WZ-3504-15-04-000	
	18 U	WZ-3504-15-05-000	
Set of 19" mounting angles for <b>SU, SD, SJ, SJB</b> cabinets	4 U	WZ-3839-14-01-000	
	6 U	WZ-3504-14-01-000	
	10 U	WZ-3504-14-02-000	
	12 U	WZ-3504-14-03-000	
	15 U	WZ-3504-14-04-000	
	18 U	WZ-3504-14-05-000	

**Package:** 1 set = 2 pcs.



**Brush strip for cable opening**

For blinding cable openings in **zBOX, SU, SD, SJ, SJB** cabinets following the removal of blanking plates.

**Material**

Plastic

**Scope of delivery**

Brush strip, 250 mm long.

Package	Catalogue number
1 pc.	WZ-3504-22-00-000

SUPPLEMENTARY ACCESSORIES FOR WALL-MOUNTED CABINETS

**Earthing elements for zBOX, SU, SD, SJ, SJB cabinets**

**Earthing strip**

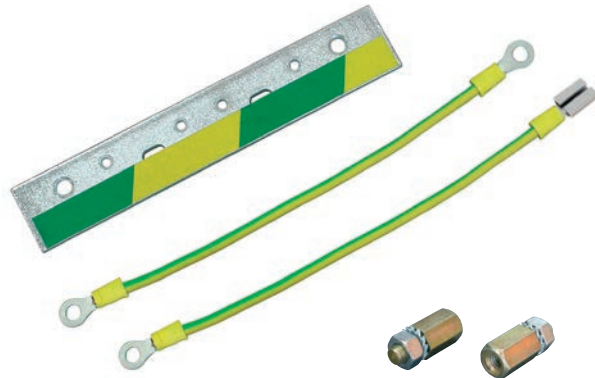
- With threaded M5 openings for fixing cables.
- Material: zinc coated steel bar 30 x 4 x 170 mm

**Earthing cables**

- Insulated copper cables with contact eyes for M5 screws.
- Material: copper wires, 6 mm<sup>2</sup> in diameter

**Scope of delivery**

Earthing elements are supplied with fixing accessories for installation inside the cabinet.



Earthing elements

Product name	Package	Catalogue number
Earthing set for <b>zBOX</b> cabinet (earthing strip, earthing cables for door and side panels, fixing elements)	1 set	WZ-7240-A0-00-000
Earthing set for <b>SU</b> cabinet (earthing strip, earthing cables for door and side panels, fixing elements)	1 set	WZ-2733-13-00-000
Earthing set for <b>SD, SJ, SJB</b> cabinets (earthing strip, earthing cables for door and rear panel, fixing elements)	1 set	WZ-3504-16-00-000

**Cross profile**

Intended for fixing cables in **SU, SD, SJ, SJB** wall mounted cabinets.

Horizontally mounted to the rear wall of the cabinet.

**Material**

Al-Zn coated sheet steel

**Scope of delivery**

Cross profile with fixing accessories.



Package	Catalogue number
1 pc.	WZ-2048-24-01-000

**Wall-fastening brackets**

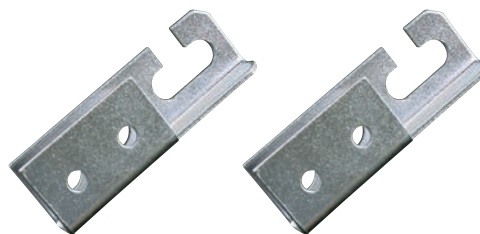
Fixed to openings in the rear wall of **zBOX, SU, SD, SJ** wall mounted cabinets. For one cabinet it is necessary to use 4 brackets of the same depth. Cabinets can also be fastened directly to the wall without using brackets.

**Material**

Zinc-coated sheet steel

**Scope of delivery**

Set of 4 brackets with screws, washers and nuts for fixing the cabinet to the wall.



Product name	Package	Catalogue number
Brackets 20 mm deep	1 set. = 4 pcs.	WZ-2048-50-01-000
Brackets 40 mm deep	1 set. = 4 pcs.	WZ-2048-50-02-000

SUPPLEMENTARY ACCESSORIES FOR WALL-MOUNTED CABINETS



Fan kit

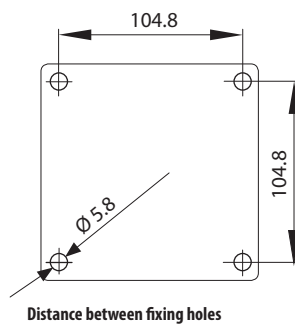


**Fan kit for zBOX, SU, SD, SJ, SJB cabinets**

Mounted it the top or bottom plate of **zBOX, SU, SD, SJ, SJB** cabinets. Power supply: 230 V, 50 Hz; power: 22 W; capacity: 165 m<sup>3</sup>/h.; noise level: ca 40 dB

**Scope of delivery**

Set: 1 fan with protection grid, power lead 1.0 m long, fixing accessories.



Package	Catalogue number
1 pc.	WN-0200-04-00-000