

# SUSTAINABLE PRODUCTIVITY BY SAFE CONTROL OF BACTERIA

## FluidWorker® 300

UV technology reduces bacteria in industrial fluids, for a sustainable and increased productivity, giving the fluid a longer lifetime – without exposing employees to hazardous biocides.



### INCREASES PRODUCTIVITY

FluidWorker ensures a stable production without stops, improves the quality of the fluid and prolongs its lifetime.

### ENSURES SAFE WORK ENVIRONMENT

Enables process fluids without hazardous biocides and also makes it possible to choose more health and environmentally friendly fluids.

### REDUCED IMPACT ON ENVIRONMENT

Fewer change-outs gives less waste and less consumption of water, chemicals and fossil resources. Makes it easier to fulfill local waste requirements.

### REDUCES COSTS

When process fluids can be used for a longer time the costs are significantly reduced through lower consumption, fewer production stops and reduced waste. Lower levels of bacteria also reduces the filter media consumption.

### SIMPLE INSTALLATION

Complete unit which can be easily installed during production in less than an hour.

# FluidWorker® 300

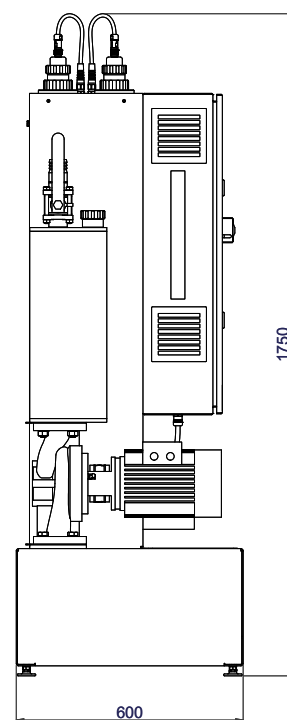
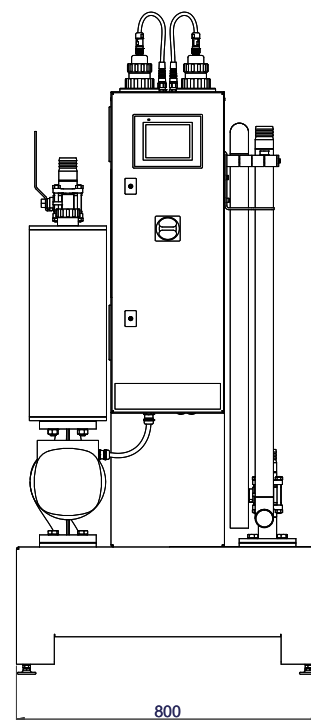
## Safe Control of Bacteria

Ideal for 3-16m<sup>3</sup> tanks with water-based process fluids used for metalworking, quenching and washing aswell as for recycling of process fluids.

### Technical specification

Flow, adjustable	6.5-10.5 m <sup>3</sup> /hour
Number of UV lamps	4
Power / Lamp power	1300-3250 W / 750-1500 W
Max ambient and fluid operating temperature	45°C
Suitable tank volume (system and fluid dependent)	3-16 m <sup>3</sup>
Recommended fluids	Emulsions and micro emulsions
Movable with pallet jack	Yes
Self priming pump	Yes
Drainage	Yes
Lockable on/off switch	Yes
Pressure sensor	Yes
Service timer	Yes
Temperature sensor	Yes
On/off via external signal	No
Material reactor, inlet and outlet pipe	Stainless steel EN 1.4301
Hose material, inside	NBR (fuel grade)
Sealings	FPM (Viton®)
IP-class	54
Chassi material	Painted steel (RAL7035)
Pump material	Epoxy coated cast iron
Power supply	400V 3-phase, 50 Hz
3 phase inverter connetor	16A/400V, 5 pin/6 hrs
Standard wired output	Potential free relay for alarm
HMI	5.7" colour touch screen
Weight, including packing material	Approx. 240 kg
Lowest possible ceiling height	3 m
Inlet / outlet hose length	3 m

Patent pending, patented technology and registered FluidWorker® trademark are property of Wallenius Water Innovation AB.



**WALLENIOUS**  
**WATER INNOVATION**

Wallenius Water Innovation is a Swedish company that develops sustainable and profitable solutions addressing significant health, safety, and environmental challenges within a variety of applications and industry segments. The main product families are, FluidWorker® which offers non-toxic and automated control of industrial process fluids, and AquaWorker® used for chemical free disinfection in water systems.

