

## AAVC/NR 500 T2 1,1kW ATEX Zone 2: FAN (Ex h IIB T3 Gc) + MOTOR (Ex ec IIC T3 Gc) (507105018XN)

### GENERAL DATA



#### ATEX HIGH PRESSURE WITH BACKWARD IMPELLER

##### MANUFACTURING FEATURES:

- Fan made of Fe360 sheet. The fan paint finish is based on a Qualicoat polyester powder coating stoved at 200°C, with an average film thickness of 70 microns. Average heat resistance of coating is 180°C with peaks of 200°C.
- High efficiency simple inlet backward impeller with self-cleaning system made of Fe360 sheet statically and dynamically balanced. Impellers are painted with polyester y primer that resists temperatures up to 300°C.
- ATEX standard asynchronous motor. ATEX certified according to the zone. Squirrel-cage motor with class F insulation. Manufactured with standard voltages: 230/400V 50Hz in three phase motors up to 4kW and 400/690V 50Hz for higher powers.
- Standard orientation LG270.

##### APPLICATIONS:

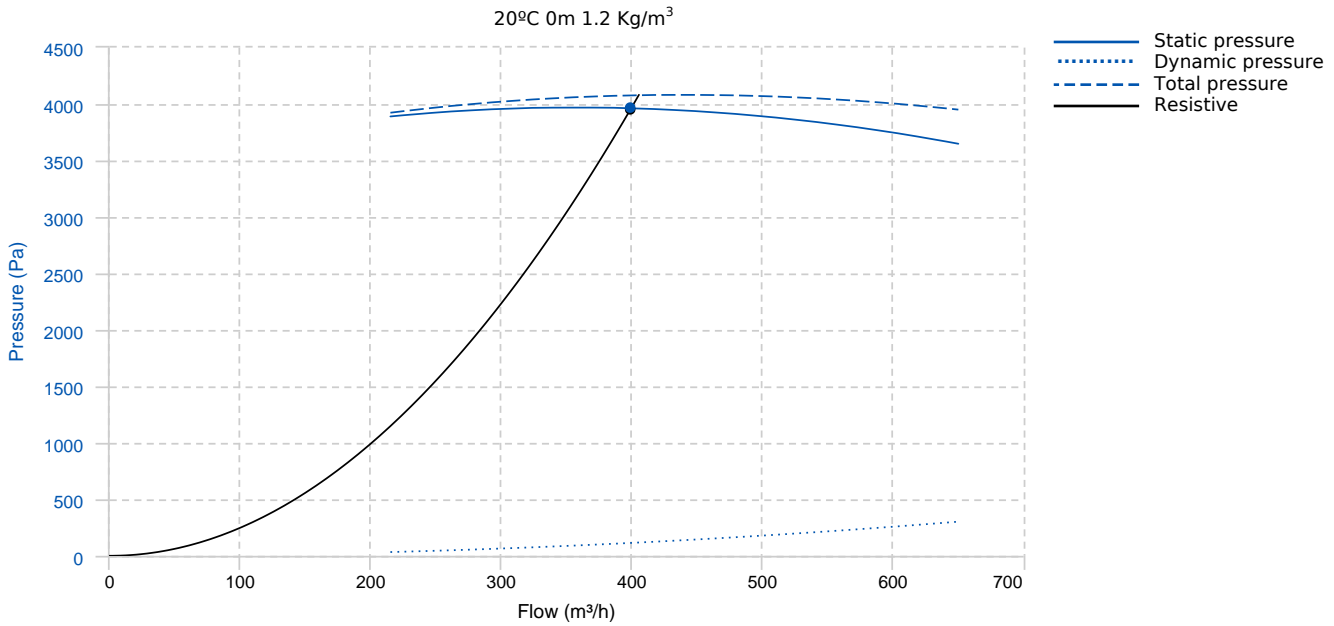
Designed for inline installation, they are suitable for:

- Industrial applications, extraction or injection of air.
- Cooling of machines and parts.
- Clean air transport.
- Exhaust after filters, separators and cyclones.
- Pneumatic transport.
- Working temperature: ambient from -20°C to 40°C, transported air according to the ATEX classification..

##### UNDER REQUEST

- Fans for 60Hz and special voltages.
- Inox 304 (normal or electropolished finish)
- Inox 316 (normal or electropolished finish)
- Split casing (for big sizes)
- Drain plug.
- Frontal foot
- Orientation: RD0, RD45, RD90, RD135, RD180, RD225, RD270, RD315, LG0, LG45, LG90, LG135, LG180. LG225, LG315.

**PERFORMANCE CURVE**



**Design point**

Flow (m³/h)	398.94	Pressure (Pa)	3953.97
-------------	--------	---------------	---------

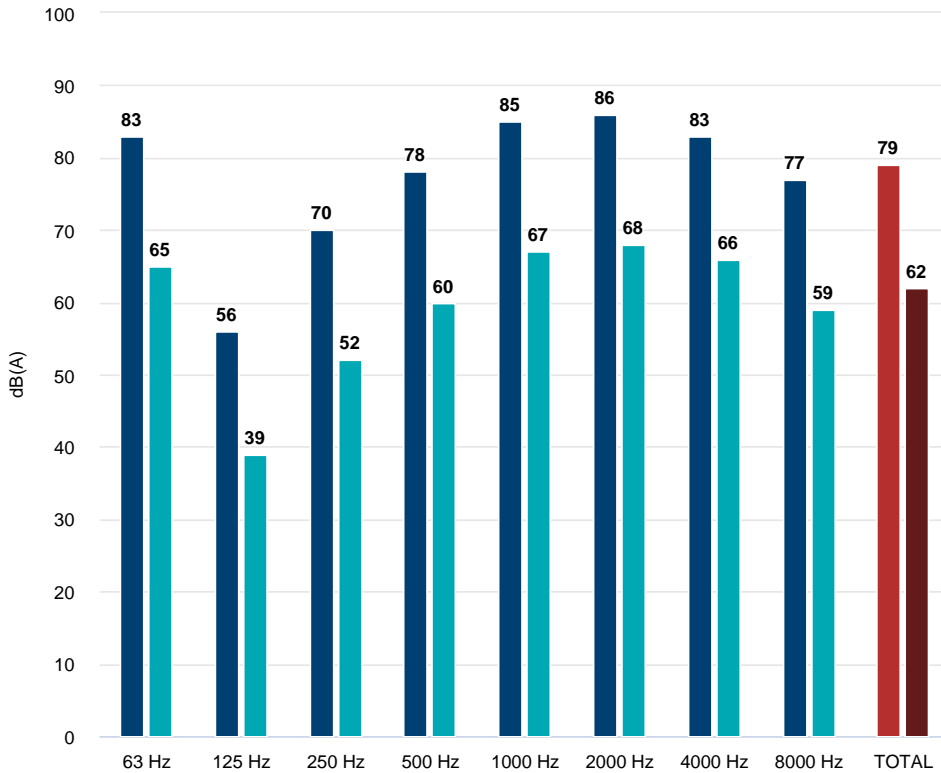
**Service point**

T.max (°C)	130	Q (m³/h)	399.37	Ps (Pa)	3962.43	Pd (Pa)	114.13
Pt (Pa)	4076.56	Speed (m/s)	13.79	Security coefficient	1.52	Mechanical total efficiency	62.49
Pw.mec (kW)	0.72						

**TECHNICAL DATA**

<b>Fan</b>							
RPM	2830	Approx. weight	40 kg	Max. Flow	660 m³/h		
<b>Motor</b>							
Power	1,1 kW	RPM	2830	I max. (400V)	2,6 A	Size	80
Approx. weight	11 kg	Efficiency (%)	72 %	FP	0.86		

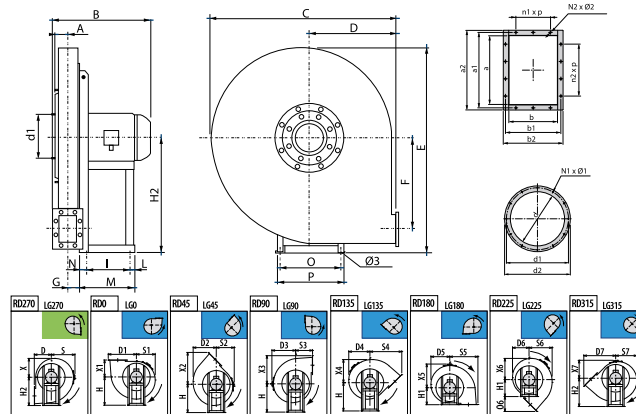
**ACOUSTIC DATA (INLET)**



Sound power	
63 Hz	83
125 Hz	56
250 Hz	70
500 Hz	78
1000 Hz	85
2000 Hz	86
4000 Hz	83
8000 Hz	77
TOTAL	79

Sound pressure 3m Q=2	
63 Hz	65
125 Hz	39
250 Hz	52
500 Hz	60
1000 Hz	67
2000 Hz	68
4000 Hz	66
8000 Hz	59
TOTAL	62

**DIMENSIONS**

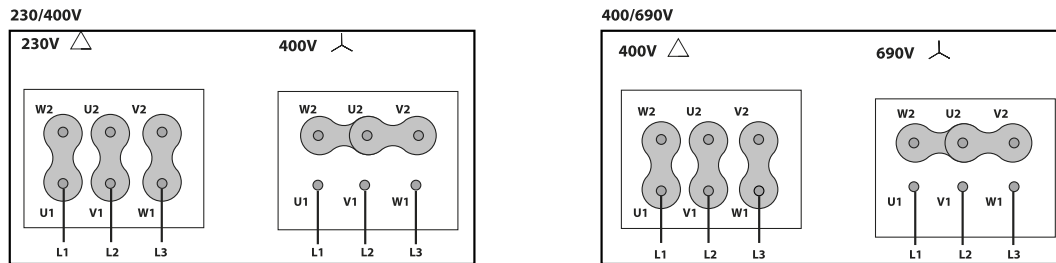


**Dimensions (mm)**

A	45	B	344	C	745	D	335	D1	430
D2	386	D3	410	D4	370	D5	346	D6	350
D7	541	E	796	F	347	G	42	H	450
H1	450	H2	450	I	121	L	45	M	211

Dimensions (mm)									
N	45	N1 x Ø1	Nº8 M6x20	N2 x Ø2	4x10	O	203	O6	206
P	225	S	410	S1	346	S2	350	S3	335
S4	541	S5	430	S6	386	S7	370	X	346
X1	335	X2	541	X3	430	X4	386	X5	410
X6	370	X7	350	a	105	a1	139	a2	165
b	76	b1	110	b2	136	d	145	d1	182
d2	215	n1 x p	-	n2 x p	-	Ø3	10		

## WIRING DIAGRAM



## ACCESSORIES



**ANTI-VIBRATING FLANGE 400º/2H**  
**BA-400 15/16**  
**REF: 960002067**



**ANTI-VIBRATION JOINT**  
**JE 45**  
**REF: 300719201**



**CONNECTION FLANGE**  
**AC 150**  
**REF: 960003204**



**OUTLET PROTECTION GUARD FOR FANS**  
**RI 105x76**  
**REF: 510101000**



**CIRCULAR OUTLET CONNECTION FLANGE**  
**EI 105x76-150**  
**REF: 510201000**



**ATEX SWITCH**  
**INT 16 ATEX**  
**REF: 510200016X**



**FRONTAL FEET SUPORT**  
**FS 500**  
**REF: \*GH-FS500**



**FREQUENCY SPEED CONTROLLER**  
**SFC 230 I 7A \***  
**REF: SFC230I007**



**FREQUENCY SPEED CONTROLLER**  
**SFC 400 III 3,6A \***  
**REF: SFC400III4**



**ANTI-VIBRATION RUBBER BLOCK**  
**AVR (GENERIC)**



**ANTI-VIBRATION SPRING BLOCK**  
**AVS (GENERIC)**



**ACOUSTIC CABINS FOR CENTRIFUGAL FANS**  
**CA (GENERIC)**