

## FOCCETA



### CENTRIFUGAL ROOF FAN FOR FIREPLACES AND BARBECUES

#### MANUFACTURING FEATURES

- Steel motor cover with hammered texture. Polyester powder coated in black colour.
- Backward curved impeller with self-cleaning aluminium blades, dynamically balanced (UNI ISO 1940, Point 1 - Class 6.3).
- Protection grid with anti-bird rings (in accordance with UNI ISO 13857 standard), made of electrically welded steel and black epoxy finishing coat.
- Base made of embossed steel, covered with epoxy to guarantee great resistance to long-term atmospheric agents.
- Aerodynamic shape for optimum performance, in one piece to optimize the air flow.
- Sub-frame for fixing the unit to the chimney.
- Equipped with steel safety wire for anchoring the appliance once installed.
- Class I and IP X4 asynchronous motor, with standard voltage 230V 50/50Hz, with thermal protector and ball bearings.

#### APPLICATIONS

- Specially designed for smoke extraction use at a continuous operating temperature up to 200 °C in fireplaces and barbecues.

## Accessories



**INT**



**REG**

## Technical data

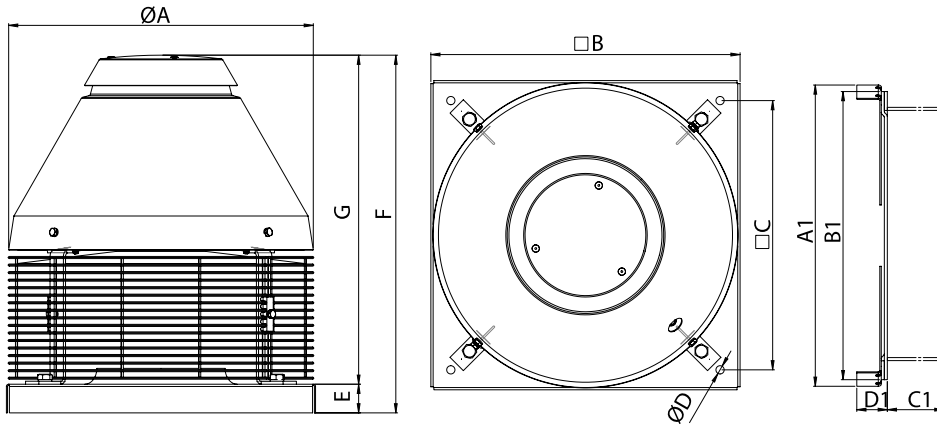
### Single-phase motor

Code	Model	R.P.M.	Rated I. A 230V	Rated power kW	Max. Airflow m <sup>3</sup> /h	Sound db (A)**	Weight kg	Connect. diagram
510117039	FOCCETA	1400	0,5	0,12	750	52	18	1

**Notes:**

\*\* Total sound pressure level at the point of maximum flow measured in dB(A) in the suction measured in free field at a distance of 6m from the source

## Dimensions

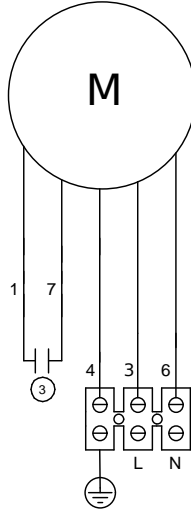


Model	A1	B	B1	C	C1	D1	E	F	G
FOCCETA	401	410	357	357	140	40	38	518	480

Model	ØA	ØD	Øinlet
FOCCETA	405	10	170

## Wiring diagram

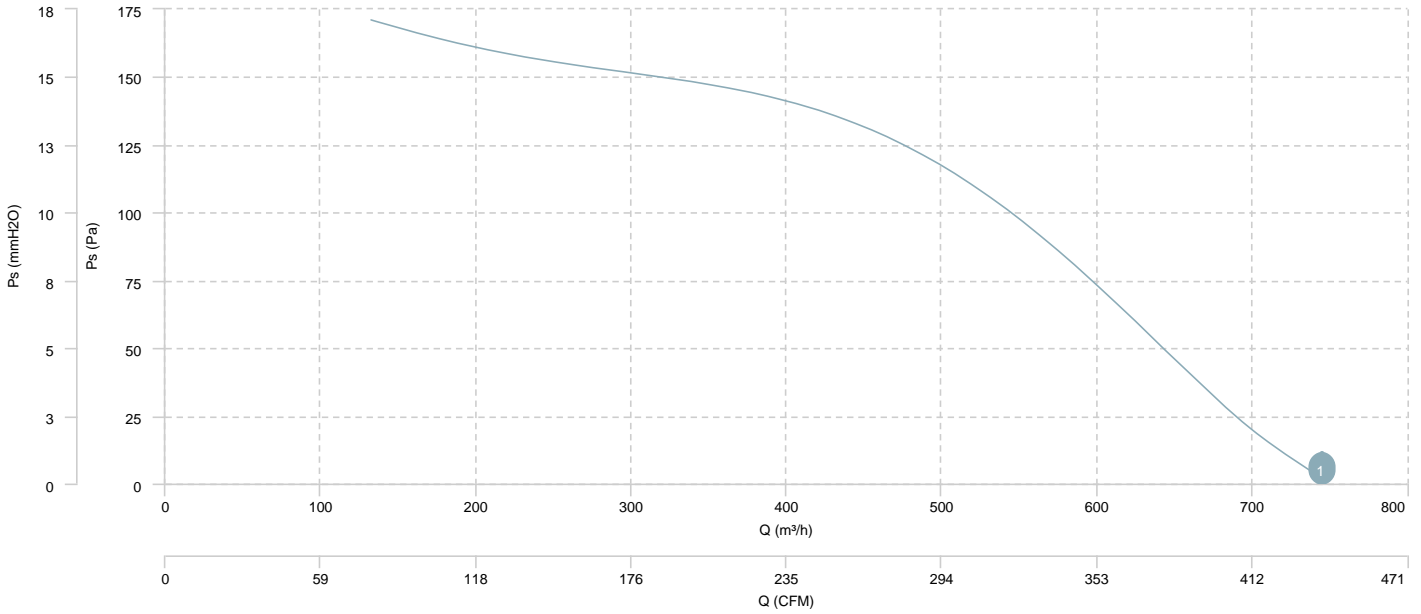
### Wiring diagram N° 1



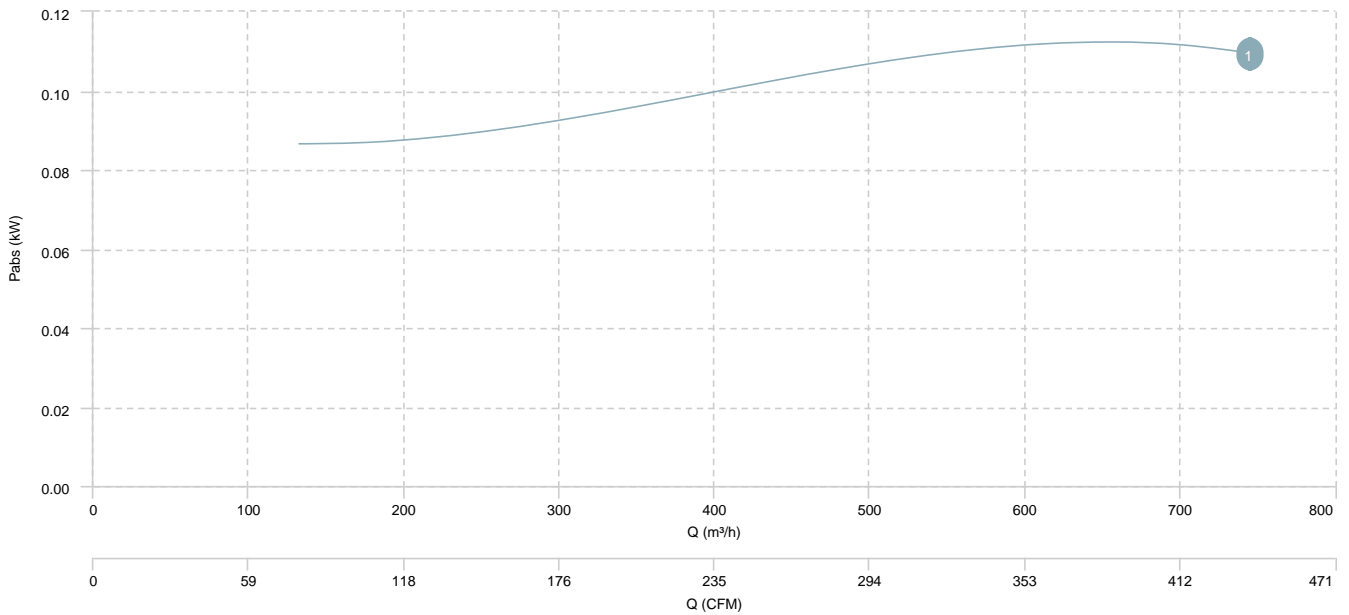
# CHARACTERISCTIC CURVE

1 FOCETA

**AIR FLOW - PRESSURE**



**AIR FLOW - ABSORBED POWER**



## Sound data

Sound power Lw dB (A)										
Model		63 Hz	125 Hz	250 Hz	500 Hz	1000 Hz	2000 Hz	4000 Hz	8000 Hz	Total
FOCCETA	Inlet	-	-	-	-	-	-	-	-	78