



INDUSTRIAL range



# K-MAX

Gearless Direct Drive  
Screw Compressors



Fixed and Variable Speed  
**5.5-15 kW**

# Company Profile

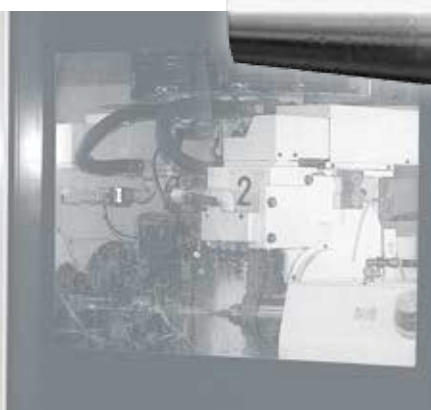
FINI boasts more than 60 years of experience and it is one of the most important global organizations in the professional and industrial compressed air sector. Synonymous with quality and professionalism, the Fini brand not only has one of the most complete ranges in the alternative piston compressors field but above all it is one of the global points of reference in the industrial compressed air realm.



**FINI industrial compressors, entirely MADE IN ITALY, are designed for heavy duty use and they are distinguished by their specific energy savings solutions.**

► Our compressors are the answer to the needs of large scale industry and small and mid-sized companies, where compressed air is one of the main sources of energy. They are designed for continuous duty in very hard operating conditions, with special attention to energy consumption, low operating and maintenance costs, simple installation and easy use.

► The entire production process, from project to packaging, is carried out at our facilities in Italy. Our highly skilled staff is dedicated to supporting the manufacturing and assembling activities. The continuous control and monitoring of each manufacturing process grants the utmost precision at every step, in order to achieve the highest quality, supreme product reliability and flexibility of use.



# Innovation, Quality, Know-how

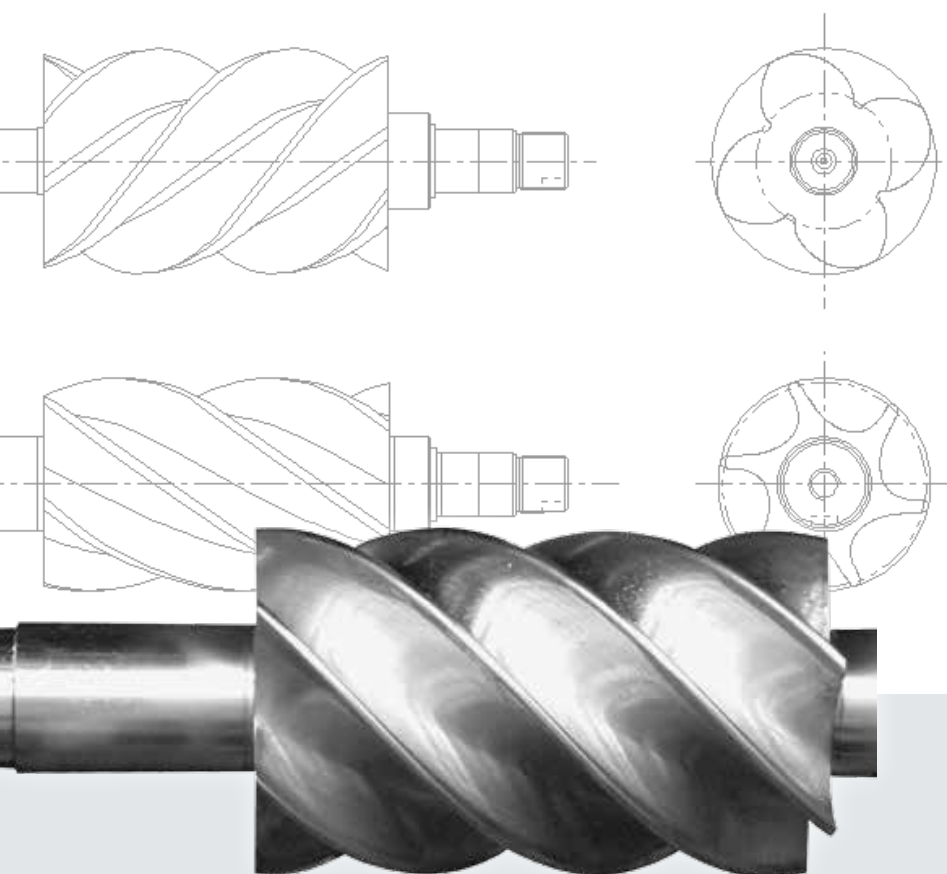
Our construction philosophy is based on the selection and simple assembly of the most reliable and efficient technical solutions.

The constant pursuit of excellent quality, innovative spirit and particular attention to customer needs are the values that have always characterized FINI and its products.



► Continuous investment in technical and product innovation has allowed FINI to improve their offer in the industrial sector with the new industrial range K-MAX: oil-injected gearless direct-driven rotary screw compressors, with rated power from 5.5 to 15 kW.

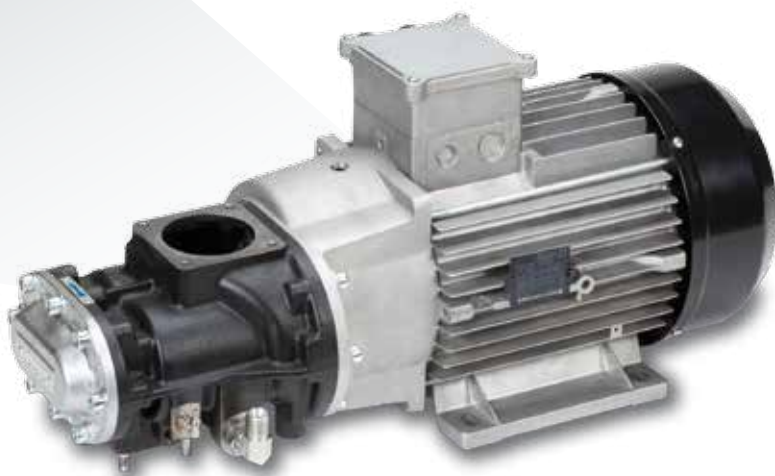
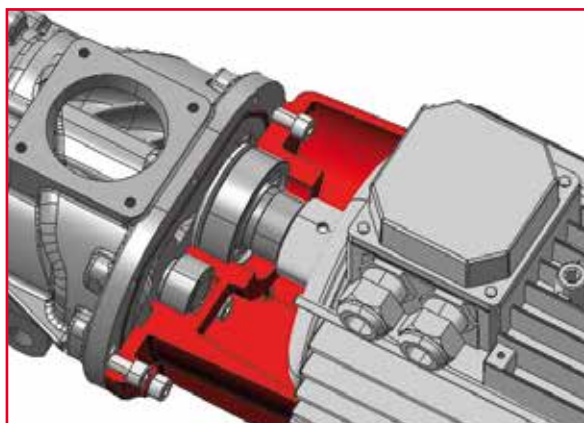
► Assembly and testing performed on automated lines, robotic systems of the latest generation, and computer tools for design and control are the main investments that the Company implemented to create products that meet the market's quality standards. Since 1996, the Company has certified its quality system in compliance with UNI EN ISO 9001.





# Our TARGET: efficiency, energy saving, modularity

The new gearless direct-driven oil injected K-MAX screw compressors have been designed to minimize energy costs, without sacrificing performances. The modularity and flexibility of these products provide multiple solutions suitable for different user's requirements: with or without tank, with or without dryer, in fixed or variable speed version.



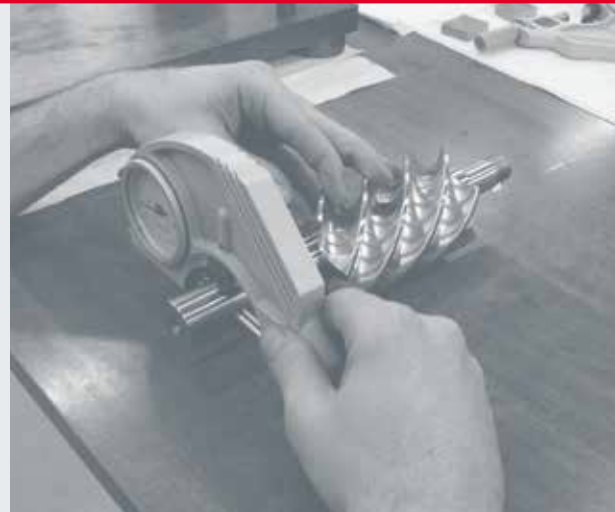
## ▲ Gearless direct drive transmission

The drive between the air-end and electric motor is carried out by means of gearless direct connection. Power transmission without loss can reach an advantage up to 4% in front of a normal belt driven compressor, thanks to the special motor with tubular crankcase and no frontal bearing: this connection doesn't need flexible coupling for compressor maximum reliability and efficiency and no drive maintenance.



# Why choose a Fini SCREW compressor?

- ▶ To reduce operating costs.
- ▶ To provide the most modern, compact, robust, reliable and silent rotary screw compressor.
- ▶ To supply compressed air in continuous operating mode.
- ▶ To increase efficiency in all areas of the compressors operation.
- ▶ To save energy.



## High energy saving

The choice of high quality components, combined with our high performance air-ends and Premium Efficiency IE3 motors, ensure reduced power consumption, substantial energy savings and exceptional efficiency performance. Furthermore, the IE3 motors reduce CO<sub>2</sub> emissions: an important contribution to protecting the environment.

## Plug&Play

K-MAX compressors are 100% factory tested, to be supplied ready for installation and immediate use, saving time and installation costs.

## Low noise

K-MAX compressors are very quiet: the use of very efficient soundproof materials makes them suitable for installation in any working place.

## High reliability

Quality control, components from primary global manufacturers guarantee long operating life and maintenance intervals.

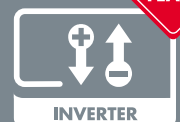
## High productivity

High air output performances is one of the key features of FINI project engineering. K-MAX series follows this tradition.

## Very compact design

The very compact design enables these compressors to be installed close to the working station.

Our air-ends, inverters and controllers are covered by 2 YEARS WARRANTY



only 62-68 dB(A)

COMPETITORS



66-77 dB(A)



100 dB(A)



120 dB(A)

# K-MAX 5.5-7.5 kW: new design, high performances.



## K-Max 5.5

5.5 kW

Available versions:

- floor mounted compressor
- compressor + air receiver
- compressor + air receiver + air dryer

Air-end:  
FSC 26



Controller:  
ETIV



Fixed speed

## K-Max 7.5

7.5 kW

Available versions:

- floor mounted compressor
- compressor + air dryer
- compressor + air receiver
- compressor + air receiver + air dryer

Air-end:  
FSC 26



Controller:  
ETIV



Fixed and variable speed

# K-MAX 11-15 kW: a quality choice.

The Fini K-MAX series is available in a variety of configurations to suit the exact requirements of the customer: starting with the standard floor mounted version, the range can also be selected with a 270 or 500 litre air receiver, with or without refrigeration dryer, also available with inverter drive. The whole machine is extremely compact with balanced dimensions.

- ▶ Direct drive technology for maximum reliability.
- ▶ High performances, excellent efficiency.
- ▶ Intelligent microprocessor control.
- ▶ Compact, space saving design.
- ▶ No drive maintenance.

Dryer module  
K-MAX compressors are also  
available with dryer  
("ES" versions): immediately  
ready to operate without any  
installation effort.



## K-Max 11

11 kW

Available versions:

- floor mounted compressor
- compressor + air dryer
- compressor + air receiver
- compressor + air receiver + air dryer

Air-end:  
FSC 50



Controller:  
ETIV



Fixed and variable speed

## K-Max 15

15 kW

Available versions:

- floor mounted compressor
- compressor + air dryer
- compressor + air receiver
- compressor + air receiver + air dryer

Air-end:  
FSC 50



Controller:  
ETIV



Fixed and variable speed



# ETIV Advanced electronic controller



- ▶ Remote monitoring (on demand) GSM/GPRS/Ethernet/WiFi module (for on-line compressor status, remote assistance, connection with PC, Smartphone and Tablet, connection between neighbour compressors).

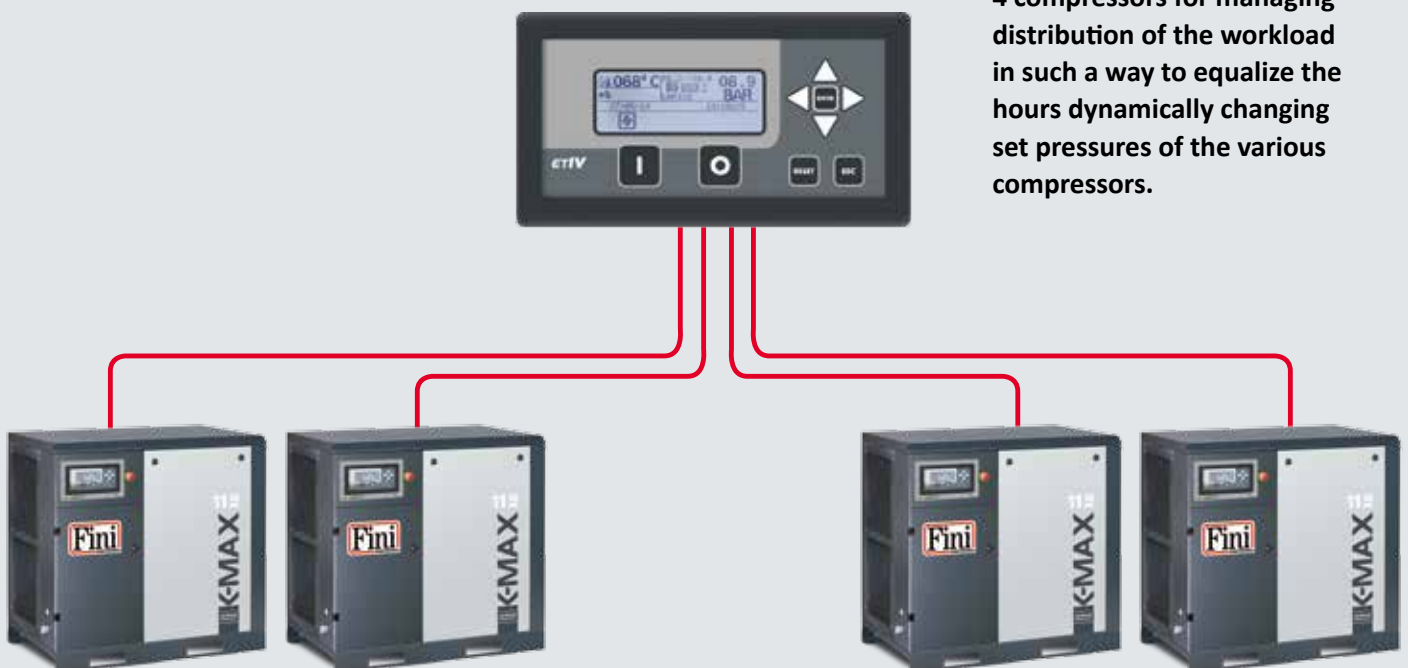


Controller with multi-function backlight LCD graphic display, the menu is drop down type. In the main screen are displayed:

- Working pressure (offload/load);
- Oil temperature;
- Compressor status (stand-by, offload, load);
- Fan status (off/on);
- Date and time;
- Hours remaining before maintenance;
- Inverter use percentage.

- ▶ Master/slave function

It is possible to connect up to 4 compressors for managing distribution of the workload in such a way to equalize the hours dynamically changing set pressures of the various compressors.

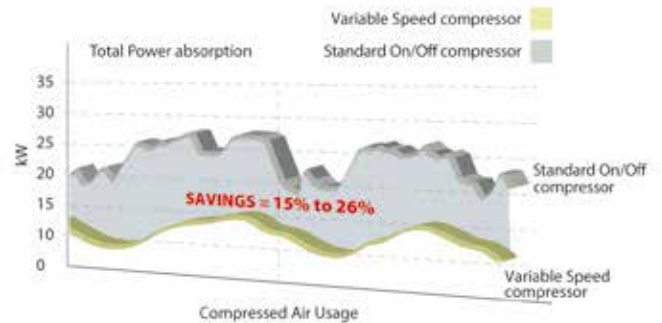




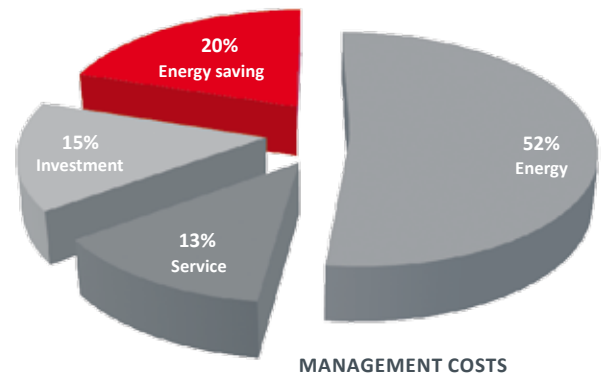
# Variable speed drive

Nowadays, the reduction of the energy consumption has become a global challenge in terms of environmental impact. Reducing power consumption and protecting our valuable energy resources represents one of the greatest global environmental challenges of our times.

The K-Max series with power at 7.5, 11, 15 kW is also available in variable speed drive version, providing high performance combined with energy saving solutions.

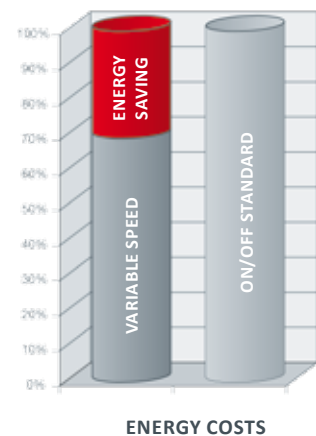


The graph below shows the significant energy saving using variable speed compressors in a typical installation.



The application of a frequency inverter, able to dynamically adjust the voltage/frequency/current values of the motor, allows the elimination of unnecessary power losses by constantly adjusting the generation of compressed air to match the real air demand, offering many proven advantages to the user:

- ▶ Continuous regulation of the motor speed and compressed air generation to precisely match the air demand.
- ▶ The air output is constantly adjusted between 40% and 100% of the compressor full capacity.
- ▶ Constant and accurate air pressure control selectable at any value.
- ▶ Energy consumption is proportional to the delivered compressed air.



Designed for long service life



# Noise and temperature under control



## ■ Innovative cooling system

The cooling system is among the most innovative in the field.

A thermostatic controlled centrifugal fan keeps the temperature of the entire compressor to specific tolerance and at a constant level, avoiding temperature peaks that can be harmful for the correct operation of the compressor. The action of the fan, combined with the efficiency of the oversized oil cooler, guarantees the operation of the compressor in different climatic conditions.

The "no-noise" fans, the specially studied labyrinth ventilation and the use of high quality sound-proof materials provide the sound level to be among the lowest in the range.



## ■ Clean conditions

in any ambient

A cabinet prefiltering panel prevents the dust coming inside increasing air filters and belt life by 15%.



## ■ High performance

SCREW AIR-ENDS

Entirely designed, produced and tested in our Italian facilities: the special design of the screw profile assures high performances.



## ■ SPIN-ON filters

The oil filter and separator filter, both spin-on type, ensure maximum efficiency and simple maintenance.



## ■ Intake valve

Entirely designed and manufactured in our facilities, adjusts compressor's operation to guarantee minimum pressure during idle running and maximum savings upon start-up.



## ■ Easy handling

All tanks are equipped with anti-tip brackets for safe handling with transpallet. The air storage tanks have drain cock in a easily accessible position and are equipped with ball valve.



## ■ Correct working pressure

The transducer guarantees an accurate and stable operation during the time. It allows direct modification of the working pressure from the electronic controller without any mechanical intervention.

# HRS Heat Recovery System

HRS is a system for the recovery of the heat generated by the screw compressors, for the production of hot water.

Most of the energy used to produce compressed air is actually converted into heat: up to 90% of this energy is reusable!

About 75% of the energy used is found in the lubrication and cooling circuit and can be used as a heat source, the remaining 15% is contained in the compressed air. It is therefore easier to produce the compressed air in a reliable way, as it is to recover the thermal energy.



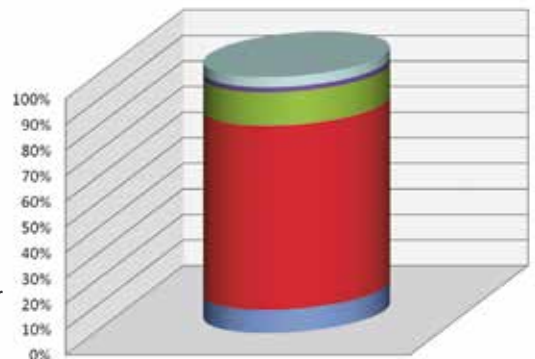
▶ Plate oil-water heat exchanger

▶ Water pump

The HRS system can be used on all oil-injected screw compressors.

## HEAT OF COMPRESSION

- 4% Heat remaining in the air
- 2% Losses by radiation
- 13% Heat removed from the air cooler
- 72% Heat removed from the oil cooler
- 9% Heat radiated by the electric motor





# Save money in your company!



How great the recovery actually is, depends on the size of the compressors and the type of replaced energy (electricity, gas, heating oil), but the investment interest becomes sensitive for the compressors starting from 11 kW installed power.

Given the current energy costs, the depreciation period of heat recovery systems fluctuates between 6 months and 2 years (with reference to a plate heat exchanger for heating systems).

Heat recovery is a real opportunity to increase the effectiveness of a compressed air system, the impact on energy costs allows for three times the amount of savings to that of a variable speed compressor, and twenty times to that of an IE3 or a permanent magnet motor.



# Optimized control in the compressor room

Many compressed air stations include several compressors: EasyX4 is a weekly programmable sequencer, capable of configuring up to 4 compressors, based on the amount of air actually required.

EasyX4 is the easiest solution for compressor sequencing and supervision over complex systems of compressors, up to 4 units: fixed or variable speed.

The programming is intuitive. It is sufficient to set the 4 pressure ranges (if 4 is the number of connected units) and later define at what time the entire compressor station shall start and stop, assigning at which pressure each compressor must work.



EasyX4 sequencer  
code #405531604



- Three programming levels:
- ▶ **MANUAL:** compressors are fixed to a given operational pressure range;
  - ▶ **AUTOMATIC:** with pressure range swapping after a programmable time interval;
  - ▶ **GROUP PROGRAMMING:** where compressors can be switched within groups.

# High quality air to safeguard the final product

The compression process increases the concentration of solid particles suspended in the atmosphere, generated by natural phenomena but also by polluting agents or industrial processes. Water, oil, impurities and odours cause alterations in the quality of the air produced, corrosion of the pipes and damage to the pneumatic equipment, thus negatively affecting performance. The quality of compressed air is therefore fundamental for the reliability of the machinery and quality of the final product.



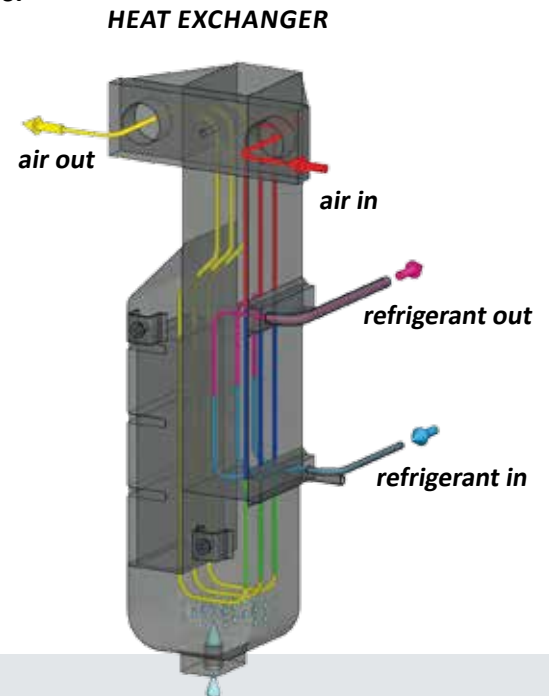
Fini has developed refrigeration dryers integrated in the compressor, with centralized condensate drain, in order to:

- ▶ Obtain clean air without condensate and impurities;
- ▶ Reduce maintenance costs;
- ▶ Protect the equipment;
- ▶ Safeguard the environment and the quality of the final product;
- ▶ Comply with safety standards.

Efficient, functional, ecologic.

The refrigeration air dryer ensures the production of qualitative, clean and dry air, essential to preserve the systems and the quality of the finished product.

It achieves excellent performance even in unfavorable environmental conditions, and high inlet temperatures.



The highly efficient and ultra compact heat exchanger is able to operate effectively in ambient temperatures up to 45°C, ensuring a reduced compressed air pressure drop.

This compact aluminium module contains the various stages of the compressed air treatment.

**Air-air exchanger:** a pre-cooling of the intake air takes place in this section.

This allows to reduce the energy consumption of the refrigeration circuit and reduces the possibility of condensation on the outer surface of the pipe from the dryer.

**Air-gas exchanger:** the pre-cooled air in the air/air heat exchanger comes in the evaporator and cools to the dew point.

**Demister:** the air cooled in the evaporator passes through a demister separator that allows the drainage of the condensate in a large collection chamber. The geometry of the module and the demister allows to keep the load losses low.



▲ K-MAX 5.5-7.5



▲ K-MAX 11-15

Code	ℓ	Product	Compressor		AIR			MAX		dB(A)	G	Weight		L x W x H (cm)
			kW	HP	l/min.	m <sup>3</sup> /h	c.f.m.	bar	psi			kg	Lbs	
<b>FLOOR MOUNTED</b>														
100103067	–	K-MAX 5.5-10	5.5	7.5	705	42	25	10	145	62	1/2"	160	352.8	80 x 65 x 86
100103068	–	K-MAX 5.5-13	5.5	7.5	450	27	16	13	188	62	1/2"	160	352.8	80 x 65 x 86
100103069	–	K-MAX 7.5-10	7.5	10	1050	63	37	10	145	62	1/2"	165	363.8	80 x 65 x 86
100103070	–	K-MAX 7.5-13	7.5	10	700	42	25	13	188	62	1/2"	165	363.8	80 x 65 x 86
100103071	–	K-MAX 11-08	11	15	1700	102	60	8	116	68	3/4"	230	507	100 x 70 x 100
100103072	–	K-MAX 11-10	11	15	1550	93	55	10	145	68	3/4"	230	507	100 x 70 x 100
100103073	–	K-MAX 11-13	11	15	1200	72	42	13	188	68	3/4"	230	507	100 x 70 x 100
100103074	–	K-MAX 15-10	15	20	2050	123	72	10	145	68	3/4"	250	551	100 x 70 x 100
100103075	–	K-MAX 15-13	15	20	1700	102	60	13	188	68	3/4"	250	551	100 x 70 x 100
<b>WITH DRYER</b>														
100103076	–	K-MAX 7.5-10 ES	7.5	10	1050	63	37	10	145	62	1/2"	200	441	112 x 65 x 86
100103077	–	K-MAX 11-08 ES	11	15	1700	102	60	8	116	68	3/4"	230	507	136 x 70 x 100
100103078	–	K-MAX 11-10 ES	11	15	1550	93	55	10	145	68	3/4"	230	507	136 x 70 x 100
100103079	–	K-MAX 11-13 ES	11	15	1200	72	42	13	188	68	3/4"	230	507	136 x 70 x 100
100103080	–	K-MAX 15-10 ES	15	20	2050	123	72	10	145	68	3/4"	250	551	136 x 70 x 100
100103081	–	K-MAX 15-13 ES	15	20	1700	102	60	13	188	68	3/4"	250	552	136 x 70 x 100
<b>WITH TANK</b>														
100103082	270	K-MAX 5.5-10-270	5.5	7.5	705	42	25	10	145	62	1/2"	255	562	128 x 65 x 154
100103083	270	K-MAX 7.5-10-270	7.5	10	1050	63	37	10	145	62	1/2"	260	573	128 x 65 x 154
100103084	500	K-MAX 7.5-10-500	7.5	10	1050	63	37	10	145	62	1/2"	305	673	208 x 65 x 150
100103085	500	K-MAX 11-08-500	11	15	1700	102	60	8	116	68	3/4"	380	838	200 x 73 x 170
100103086	500	K-MAX 11-10-500	11	15	1550	93	55	10	145	68	3/4"	380	838	200 x 73 x 170
100103087	500	K-MAX 11-13-500	11	15	1200	72	42	13	188	68	3/4"	380	838	200 x 73 x 170
100103088	500	K-MAX 15-10-500	15	20	2050	123	72	10	145	68	3/4"	400	882	200 x 73 x 170
100103089	500	K-MAX 15-13-500	15	20	1700	102	60	13	188	68	3/4"	400	882	200 x 73 x 170
<b>WITH TANK AND DRYER</b>														
100103090	270	K-MAX 5.5-10-270 ES	5.5	7.5	705	42	25	10	145	62	1/2"	290	639	128 x 65 x 154
100103091	270	K-MAX 7.5-10-270 ES	7.5	10	1050	63	37	10	145	62	1/2"	295	650	120 x 65 x 154
100103092	500	K-MAX 7.5-10-500 ES	7.5	10	1050	63	37	10	145	62	1/2"	340	750	200 x 65 x 150
100103093	500	K-MAX 11-08-500 ES	11	15	1700	102	60	8	116	68	3/4"	422	931	200 x 73 x 170
100103094	500	K-MAX 11-10-500 ES	11	15	1550	93	55	10	145	68	3/4"	422	931	200 x 73 x 170
100103095	500	K-MAX 11-13-500 ES	11	15	1200	72	42	13	188	68	3/4"	422	931	200 x 73 x 170
100103096	500	K-MAX 15-10-500 ES	15	20	2050	123	72	10	145	68	3/4"	442	975	200 x 73 x 170
100103097	500	K-MAX 15-13-500 ES	15	20	1700	102	60	13	188	68	3/4"	442	975	200 x 73 x 170

Free air delivery as per ISO 1217 Annex C, at 7.5 - 9.5 - 12.5 bar at the compressor outlet. ± 3 dB (A) as PNEUROP/CAGI PN-NTC 2.3.





▲ K-MAX with tank



▲ K-MAX with tank and dryer

Code	l	Product	Compressor		AIR			Pressure		dB(A)	BSP	Weight		L x W x H (cm)
			kW	HP	l/min.	m <sup>3</sup> /h	c.f.m.	bar	psi			kg	Lbs	
<b>VARIABLE SPEED</b>														
100103098	–	K-MAX 7.5-08 VS	7.5	10	1300 / 520	78-31	46-18	8	116	63	1/2"	175	386	80 x 65 x 86
100103099	–	K-MAX 7.5-10 VS	7.5	10	1100 / 440	66-26	39-16	10	145	63	1/2"	175	386	80 x 65 x 86
100103100	–	K-MAX 11-08 VS	11	15	1700 / 680	102-41	60-24	8	116	68	3/4"	240	529	100 x 70 x 100
100103101	–	K-MAX 11-10 VS	11	15	1550 / 620	93-37	55-22	10	145	68	3/4"	240	529	100 x 70 x 100
100103102	–	K-MAX 15-08 VS	15	20	2400 / 950	144-57	85-34	8	116	68	3/4"	260	573	100 x 70 x 100
100103103	–	K-MAX 15-10 VS	15	20	2100 / 840	126-50	74-30	10	145	68	3/4"	260	573	100 x 70 x 100
<b>VARIABLE SPEED WITH DRYER</b>														
100103104	–	K-MAX 7.5-08 ES VS	7.5	10	1300 / 520	78-31	46-18	8	116	63	1/2"	210	463	112 x 65 x 86
100103105	–	K-MAX 7.5-10 ES VS	7.5	10	1100 / 440	66-26	39-16	10	145	63	1/2"	210	463	112 x 65 x 86
100103106	–	K-MAX 11-08 ES VS	11	15	1700 / 680	102-41	60-24	8	116	68	3/4"	240	529	136 x 70 x 100
100103107	–	K-MAX 11-10 ES VS	11	15	1550 / 620	93-37	55-22	10	145	68	3/4"	240	520	136 x 70 x 100
100103108	–	K-MAX 15-08 ES VS	15	20	2400 / 950	144-57	85-34	8	116	68	3/4"	260	573	136 x 70 x 100
100103109	–	K-MAX 15-10 ES VS	15	20	2100 / 840	126-50	74-30	10	145	68	3/4"	260	573	136 x 70 x 100
<b>VARIABLE SPEED WITH TANK</b>														
100103110	270	K-MAX 7.5-08-270 VS	7.5	10	1300 / 520	78-31	46-18	8	116	63	1/2"	270	594	120 x 65 x 154
100103111	270	K-MAX 7.5-10-270 VS	7.5	10	1100 / 440	66-26	39-16	10	145	63	1/2"	270	594	120 x 65 x 154
100103112	500	K-MAX 11-08-500 VS	11	15	1700 / 680	102-41	60-24	8	116	68	3/4"	390	858	200 x 73 x 170
100103113	500	K-MAX 11-10-500 VS	11	15	1550 / 620	93-37	55-22	10	145	68	3/4"	390	858	200 x 73 x 170
100103114	500	K-MAX 15-08-500 VS	15	20	2400 / 950	144-57	85-34	8	116	68	3/4"	410	902	200 x 73 x 170
100103115	500	K-MAX 15-10-500 VS	15	20	2100 / 840	126-50	74-30	10	145	68	3/4"	410	902	200 x 73 x 170
<b>VARIABLE SPEED WITH TANK AND DRYER</b>														
100103116	270	K-MAX 7.5-08-270 ES VS	7.5	10	1300 / 520	78-31	46-18	8	116	63	1/2"	305	671	120 x 65 x 154
100103117	270	K-MAX 7.5-10-270 ES VS	7.5	10	1100 / 440	66-26	39-16	10	145	63	1/2"	305	671	120 x 65 x 154
100103118	500	K-MAX 11-08-500 ES VS	11	15	1700 / 680	102-41	60-24	8	116	68	3/4"	432	950	200 x 73 x 170
100103119	500	K-MAX 11-10-500 ES VS	11	15	1550 / 620	93-37	55-22	10	145	68	3/4"	432	950	200 x 73 x 170
100103120	500	K-MAX 15-08-500 ES VS	15	20	2400 / 950	144-57	85-34	8	116	68	3/4"	452	994	200 x 73 x 170
100103121	500	K-MAX 15-10-500 ES VS	15	20	2100 / 840	126-50	74-30	10	145	68	3/4"	452	994	200 x 73 x 170

Free air delivery as per ISO 1217 Annex C, at 7.5 - 9.5 bar at the compressor outlet. ± 3 dB (A) as PNEUROP/CAGI PN-NTC 2.3.

# Long Life Kit for screw compressors scheduled maintenance

- ▶ FSN original spare parts have been rigorously selected, checked and tested by specialized technicians to ensure the utmost efficiency and endurance of the compressor. The parts are stocked in our “LOGIMAT” centralized and automated warehouse in Zola Predosa (BO) - Italy, where 12,000 part codes on 10,000 sqm are managed every day.
- ▶ Our specialized staff is continuously in contact with our distribution centres worldwide, to deliver spare parts to our customers in the shortest possible time.
- ▶ The use of FSN Long Life Kit, specifically studied for screw compressors, extends maintenance intervals, cutting down service costs and ensuring consistent product performance, with consequential energy saving.  
Ask for the catalog with reference codes!



Maintenance interval,  
using non original parts

Maintenance interval,  
using original parts **+20%**



5.5 - 7.5 kW	1.000 h	4.000 h ** (or every year)	12.000 h	24.000 h
K-MAX 5.5-10	- 1 Air filter cartridge	- 1 Air filter cartridges	- 1 x 4,000 hrs kit	- 1 x 12,000 hrs kit
K-MAX 5.5-13		- 1 Oil filter cartridge	- 1 Minimum pressure valve	- 1 Air-end
K-MAX 7.5-08		- 1 Separator cartridge	- 1 Solenoid valve	
K-MAX 7.5-10		- 1 Oil check valve	- 3 Pipes	
K-MAX 7.5-13		- 1 Intake regulator kit	- 1 Bearing motor	
		- 1 Prefilter		
11-15 kW	1.000 h	4.000 h ** (or every year)	12.000 h	24.000 h
K-MAX 11-08	- 1 Air filter cartridge	- 1 Air filter cartridges	- 1 x 4,000 hrs kit	- 1 x 12,000 hrs kit
K-MAX 11-10		- 1 Oil filter cartridge	- 1 Minimum pressure valve	- 1 Air-end
K-MAX 11-13		- 1 Separator cartridge	- 1 Solenoid valve	
K-MAX 15-08		- 1 Oil check valve	- 3 Pipes	
K-MAX 15-10		- 1 Intake regulator kit	- 1 Bearing motor	
K-MAX 11-13		- 1 Prefilter		

\*\* We recommend to change oil at the indicated interval or every year. We suggest to use our RotEnergyPLUS oil (NOT INCLUDED IN THE LONG LIFE KIT).



## RotEnergy synthetic lubricants

- ▶ FSN lubricants are specially designed for rotary screw compressors to achieve rapid water separation, lower friction, enhanced energy savings, longer maintenance intervals and excellent bearing lubrication while offering superior rust and corrosion protection. RotEnergyFood is a high quality food-grade rotary compressor lubricant specifically designed for use in the food and beverage industries to meet their production quality standards.

#600000018	RotEnergyPlus 46 cSt - 1 x 3.25 kg (3.75 lt) package
#600000009	RotEnergyPlus 46 cSt - 4 x 3.25 kg (3.75 lt) packages
#600000007	RotEnergyPlus 46 cSt - 1 x 16 kg (18.5 lt) package
#600000012	RotEnergyPlus 46 cSt - 1 x 175 kg (210 lt) can
#600000014	RotEnergyFood 46 cSt - 4 x 3.25 kg (3.75 lt) packages
#600000016	RotEnergyFood 46 cSt - 1 x 16 kg (18.5 lt) package
#600000017	RotEnergyFood 46 cSt - 1 x 180 kg (207 lt) can



## EasyX4 sequencer code #405531604

- ▶ Capable of controlling up to 4 compressors, based on the amount of air actually required and provides a weekly programmable sequence. Three levels of programming.



## Twin Start sequencer code #305072618

- ▶ Makes it possible to control two compressors simultaneously, changing the sequence of their intervention based on the compressed air actually required.



## Flexible hoses for tank-compressor connection

#199140618	3/4" x 1600 mm.
#199418000	1" x 1200 mm.
#199110810	1"-1/4 x 1200 mm.
#199MB0010	DN 80x1000 mm.
#199MB0001	2" x 1500 mm.

## FSN Original Spare Parts



- ▶ Our Hot-Line service is able to prepare and ship urgent orders within the same day (if received within 12:00 p.m.).
- ▶ On the FINI website it is possible to check out the exploded views and spare parts lists for any compressor model whenever needed.

## Fini also recommends:

### Original Spare Parts

**FSN**  
ORIGINAL SPARE PARTS



[www.fsnspareparts.com](http://www.fsnspareparts.com)

The "FSN" brand states the originality of the components, which are specifically manufactured and tested to be used on our compressors. The use of original, certified spare parts guarantees the efficiency and reliability of the compressor, extending its lifespan and lowers management costs.

### Air Dryers



NPS dryers are designed for drying and purification of compressed air for breathing air applications. Type BI for "Breathing air Industrial" and model BM for "Breathing air Medical". With both systems, apart from the drying process to a pressure dew point of  $-40\text{ }^{\circ}\text{C}$ , the components  $\text{CO}$ ,  $\text{CO}_2$ , hydrocarbons, nitrogen oxides and  $\text{SO}_2$  are eliminated.

### Nitrogen Generators



The NGN nitrogen generators represent an economical way for the production of Nitrogen on site. Models sized for a wide range of flow and purity of the product, the NGN series stands out for efficiency and exceptional versatility. Ideal for: food packaging, plastic moulding, welding metal treatment, pharmaceutical/chemical industry, blowing tyres.

*" We are Air ! "*  
*Compressed Air!*

**unoflow**<sup>®</sup>  
YOUR PREFERRED PARTNER IN FLOW SOLUTIONS



**UNOFLOW AB**

BULTGATAN 30

442 40 KUNGÄLV SWEDEN

Tel.: +46 303 937 25 - Fax: +46 303 926 85

[www.unoflow.se](http://www.unoflow.se) - [info@unoflow.se](mailto:info@unoflow.se)