

Chain Drives

Industrial Chains, Sprockets and Accessories

Table of Content

Roller chains	4
Roller chains - European standard WIPPERMANN	4
Roller chains - Stainless steel.....	7
Roller chains - American standard.....	9
Roller chains - Marathon	12
Roller chains - Marathon stainless steel.....	15
Roller chains - Biathlon.....	17
Roller chains - Biathlon KS.....	19
Roller chains - Triathlon HT.....	21
Roller chains - Triathlon KS.....	22
Pom-Clips	23
Attachments	24
Attachments stainless steel.....	28
Hollow pin chain.....	31
Double pitch roller chain	32
Side bow roller chain	33
Heavy duty roller chain.....	34
Roller chains - European standard Witra.....	35
Protorque Roller chains	38
Protorque Roller chains - Standard	39
Protorque Roller chains - Stainless steel	42
Protorque Roller chains - Zinc plated	44
Protorque Roller chains - Nickel plated.....	45
Protorque + Roller chains - Standard	46
Protorque + Stainless steel	46
Protorque Heavy duty roller chain	48
Protorque Double pitch roller chain.....	49
Protorque Roller chains with vulcanised elastomer profiles.....	50
Leaf chain LL	51
Leaf chain LH/BL Witra	53
Adjustable anchors for fleyer chain	55
Chain guides	56
Chain guides	56
Slide band.....	57
Conveyor chains	58
Conveyor chain Lapua (type M)	59
Conveyor chain Lapua (type A)	61
Protorque Conveyor chain	63
Roller chains for wood industry	65
Lumber conveyor roller chain.....	66
Plastic Chains.....	68
Protorque Lumber conveyor roller chains	69
Protorque roller chain with plastic attachments.....	70

Sprockets	71
Sprockets with pilot bore.....	72
Plate wheels	82
Sprockets with finished bore	85
Sprockets with Taper lock bushing.....	88
Taper bushes.....	93
Sprockets in Stainless steel	96
Double simple sprockets	97
Sprockets with hardened teeth.....	98
Spur gears	99
Spur gears	100
Gear Racks	100
Bevel gears.....	101
Tensioning systems	102
Spannbox and Spannboy	102
Type SE / SE-G / SE-W / SE-F / SE-I	103
Sprocket wheel set.....	104
Chain rider	105
Idler sprockets	106
Accessories for chaindrives	107
General technical information	108



Our chains in European standard are stocked in three tiers:

- Wippermann, a German-made quality chain from a supplier that drives development forward. Our best option.
- Witra, a German-controlled chain of industrial quality. Our standard option.

- Protorque, a fit-forfunction roller chain suitable for a broad range of industrial applications and is used in industries such as light material and wood industries.

The chains are always delivered pre-stretched and lubricated. Our chain designs are simplex, duplex and triplex.

Chain design	Material	Corrosion resistant	Surface treatment	Maintenance free	Lubrication
Simplex	Steel	No	No treatment	No	Yes
Duplex	Steel	No	No treatment	No	Yes
Triplex	Steel	No	No treatment	No	Yes

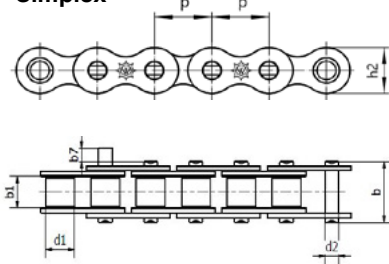
Comparison of articles

Simplex			
Wippermann	Witra	Protorque	Protorque +
031W			
041W	041	04B1P	
05B1W	05B1	05B1P	
06B1W	06B1	06B1P	
331W	081	081P	
17W	083	083P	
08B1RSW	08B1RS	08B1GLP	
08B1W	08B1	08B1P	
18W			
10B1RSW	10B1RS	10B1GLP	
10B1W	10B1	10B1P	10B1P+
12B1RSW	12B1RS	12B1GLP	
12B1W	12B1	12B1P	12B1P+
16B1RSW	16B1RS	16B1GLP	
16B1RSW21	16B1RS21	16B1GL21P	
16B1W	16B1	16B1P	16B1P+
20B1RSW	20B1RS	20B1GLP	
20B1W	20B1	20B1P	
24B1RSW		24B1GLP	
24B1W	24B1	24B1P	
		28B1GLP	
28B1W	28B1	28B1P	
32B1W	32B1	32B1P	
40B1W		40B1P	
48B1W		48B1P	

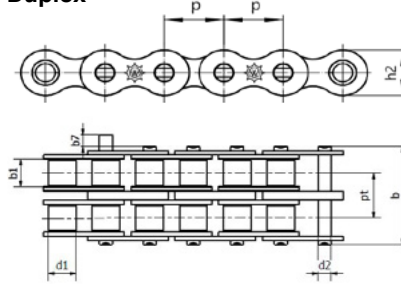
Duplex			
Wippermann	Witra	Protorque	Protorque +
05B2W			
06B2W	06B2	06B2P	
		08B2GLP	
08B2W	08B2	08B2P	08B2P+
	10B2RS	10B2GLP	
10B2W	10B2	10B2P	
12B2RSW		12B2GLP	
12B2W	12B2	12B2P	12B2P+
16B2RSW21			
16B2RSW	16B2RS	16B2GLP	
16B2W	16B2	16B2P	16B2P+
20B2W	20B2	20B2P	
24B2W	24B2	24B2P	
24B2RSW			
28B2W		28B2P	
32B2W	32B2	32B2P	
40B2W		40B2P	
48B2W		48B2P	

Triplex		
Wippermann	Witra	Protorque
05B3W		
06B3W	06B3	06B3P
08B3W	08B3	08B3P
		08B3GLP
10B3W	10B3	10B3P
12B3W	12B3	12B3P
16B3W	16B3	16B3P
20B3W	20B3	20B3P
24B3W	24B3	24B3P
28B3W	32B3	28B3P
32B3W	48B3	32B3P
40B3W		40B3P
48B3W		48B3P

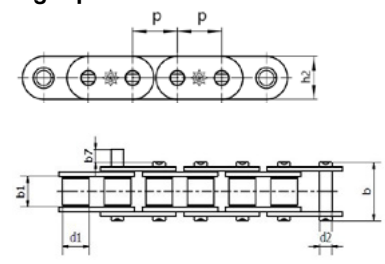
Simplex



Duplex



Straight plates



Simplex

Item No [JENS S]	ISO standard size	Pitch, p [inch]	Pitch, p [mm]	b1 min [mm]	d1 max [mm]	d2 max [mm]	h2 max [mm]	b max [mm]	b7 max [mm]	Bearing area [cm ²]	Breaking load ISO min. [kN]	Breaking load supplier min. [kN]	Weight [kg/m]	Straight side plates	Connecting Link
031W		-	5,000	2,50	3,20	1,49	4,10	7,40	2,50	0,06	2,2	2,2	0,08	No	11,15
041W		-	6,000	2,80	4,00	1,85	5,00	7,40	2,90	0,08	3,0	3,0	0,15	No	11,15
05B1W	05B-1	-	8,000	3,00	5,00	2,31	7,11	8,60	3,10	0,11	4,4	5,5	0,18	No	7,11,15
06B1W	06B-1	3/8"	9,525	5,72	6,35	3,28	8,26	13,50	3,30	0,28	8,9	9,6	0,41	Yes	7,11,12
085W		1/2"	12,700	6,25	7,77	3,60	9,91	14,00	2,00	0,32	6,7	6,7	0,38	No	11
08B1RSW	08B-1	1/2"	12,700	7,75	8,51	4,45	11,50	17,00	3,90	0,50	17,8	18,6	0,78	Yes	11,12
08B1W	08B-1	1/2"	12,700	7,75	8,51	4,45	11,81	17,00	3,90	0,50	17,8	18,6	0,70	No	7,11,11,12,15
18W		1/2"	12,700	4,88	7,75	4,18	11,20	14,40	1,50	0,39		17,5	0,55	No	7,11,12
332W		1/2"	12,700	4,88	7,75	3,66	9,90	11,20	1,50	0,26	8,2	9,1	0,33	No	7,11,12
385W		1/2"	12,700	6,40	7,75	3,97	11,50	15,40	3,90	0,80	16,0	17,1	0,50	No	7,11,12
10B1RSW	10B-1	5/8"	15,875	9,65	10,16	5,08	14,20	19,60	4,10	0,67	22,2	27,0	1,03	Yes	7,11,12
10B1W	10B-1	5/8"	15,875	9,65	10,16	5,08	14,73	19,60	4,10	0,67	22,2	27,0	0,91	No	7,11,11,12
500W		5/8"	15,875	6,48	10,16	5,08	14,7	16,4	4,1	0,51	22,4	27,5	0,78	No	7,11,12
12B1RSW	12B-1	3/4"	19,050	11,68	12,07	5,72	15,50	22,70	4,60	0,89	28,9	31,0	1,29	Yes	11,12
12B1W	12B-1	3/4"	19,050	11,68	12,07	5,72	16,13	22,70	4,60	0,89	28,9	31,0	1,18	No	7,11,11,12
16B1RSW	16B-1	1"	25,400	17,02	15,88	8,28	24,00	36,10	5,40	2,10	60,0	72,0	3,29	Yes	11
16B1RSW21	16B-1	1"	25,400	17,02	15,88	8,28	21,00	36,10	5,40	2,10	60,0	72,0	2,90	Yes	11,12
16B1W	16B-1	1"	25,400	17,02	15,88	8,28	21,08	36,10	5,40	2,10	60,0	72,0	2,68	No	7,11,11,12
20B1RSW	20B-1	1 1/4"	31,750	19,56	19,05	10,19	26,40	43,20	6,10	2,96	95,0	105,0	4,13	Yes	11
20B1W	20B-1	1 1/4"	31,750	19,56	19,05	10,19	26,42	43,20	6,10	2,96	95,0	105,0	3,60	No	7,11,11,12
24B1RSW	24B-1	1 1/2"	38,100	25,40	25,40	14,63	33,40	53,40	6,60	5,54	160,0	180,0	7,34	Yes	11,12
24B1W	24B-1	1 1/2"	38,100	25,40	25,40	14,63	33,40	53,40	6,60	5,54	160,0	180,0	13,40	No	7,11,12
28B1W	28B-1	1 3/4"	44,450	30,99	27,94	15,90	37,08	65,10	7,40	7,39	200,0	230,0	8,50	No	7,11,12
32B1W	32B-1	2"	50,800	30,99	29,21	17,81	42,29	67,40	7,90	8,10	250,0	276,0	10,50	No	7,11,12
40B1W	40B-1	2 1/2"	63,500	38,10	39,37	22,89	52,96	82,60	10,20	12,75	355,0	405,0	16,40	No	11,12
48B1W	48B-1	3"	76,200	45,72	48,26	29,24	63,88	99,10	10,50	20,61	560,0	630,0	25,00	No	11,12

Duplex

Item No [JENS S]	ISO standard size	Pitch, p [inch]	Pitch, p [mm]	b1 min [mm]	d1 max [mm]	d2 max [mm]	h2 max [mm]	b max [mm]	b7 max [mm]	Transverse pitch, pt [mm]	Bearing area [cm ²]	Breaking load ISO min. [kN]	Breaking load supplier min. [kN]	Weight [kg/m]	Straight side plates	Connecting Link
05B2W	05B-2	-	8,000	3,00	5,00	2,31	7,11	14,30	3,10	5,64	0,22	7,8	8,2	0,36	No	11
06B2W	06B-2	3/8"	9,525	5,72	6,35	3,28	8,26	23,80	3,30	10,24	0,56	16,9	17,4	0,86	Yes	7,11,12,15
08B2W	08B-2	1/2"	12,700	7,75	8,51	4,45	11,80	31,00	3,90	13,92	1,01	31,1	37,0	1,36	No	7,11,12
10B2W	10B-2	5/8"	15,875	9,65	10,16	5,08	14,73	36,20	4,10	16,59	1,34	44,5	54,0	1,82	No	7,11,11,12
12B2RSW	12B-2	3/4"	19,050	11,68	12,07	5,72	15,50	42,20	4,60	19,46	1,79	57,8	63,0	2,62	Yes	11
12B2W	12B-2	3/4"	19,050	11,68	12,07	5,72	16,13	42,20	4,60	19,46	1,79	57,8	63,0	2,38	No	7,11,11,12
16B2RSW	16B-2	1"	25,400	17,02	15,88	8,28	24,00	68,00	5,40	31,88	4,21	106,0	140,0	6,59	Yes	7,11
16B2RSW21	16B-2	1"	25,400	17,02	15,88	8,28	21,00	68,00	5,40	31,88	4,21	106,0	140,0	5,85	Yes	11
16B2W	16B-2	1"	25,400	17,02	15,88	8,28	21,08	68,00	5,40	31,88	4,21	106,0	140,0	5,30	No	7,11,11,12
20B2W	20B-2	1 1/4"	31,750	19,56	19,05	10,19	26,42	79,70	6,10	36,45	5,91	170,0	210,0	7,30	No	7,11,11,12
24B2RSW	24B-2	1 1/2"	38,100	25,40	25,40	14,63	33,40	101,00	6,60	48,36	11,09	280,0	360,0	14,47	Yes	7,11
24B2W	24B-2	1 1/2"	38,100	25,40	25,40	14,63	33,40	101,80	6,60	48,36	11,09	280,0	360,0	13,40	No	7,12
28B2W	28B-2	1 3/4"	44,450	30,99	27,94	15,90	37,08	124,70	7,40	59,56	14,79	360,0	443,0	16,60	No	11,12
32B2W	32B-2	2"	50,800	30,99	29,21	17,81	42,29	126,00	7,90	58,55	16,21	450,0	530,0	21,00	No	7,12,11
40B2W	40B-2	2 1/2"	63,500	38,10	39,37	22,89	52,96	154,90	10,20	72,29	25,50	630,0	806,0	32,60	No	11,12
48B2W	48B-2	3"	76,200	45,72	48,26	29,24	63,88	190,40	10,50	91,21	41,23	1000,0	1100,0	50,00	No	111

Connecting links: According to ISO



-7

Outer link (to be riveted)



-11

Spring clip - Connecting link



-12

Single cranked link



-15

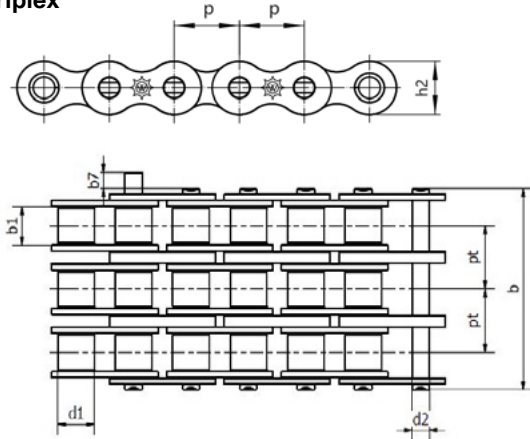
Double cranked link



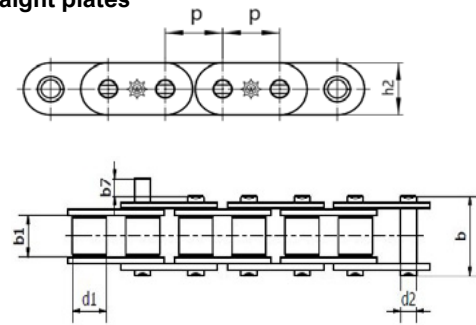
-111

Connecting link with cotted pin

Triplex



Straight plates



Triplex

Item No [JENS S]	ISO standard size	Pitch, p [inch]	Pitch, p [mm]	b1 min [mm]	d1 max [mm]	d2 max [mm]	h2 max [mm]	b max [mm]	b7 max [mm]	Transverse pitch pt [mm]	Bearing area [cm ²]	Breaking load ISO minimum [kN]	Breaking load supplier minimum [kN]	Weight [kg/m]	Straight side plates	Connecting Link
05B3W	05B-3	-	8,000	3,00	5,00	2,31	7,11	19,90	3,10	5,64	0,33	11,1	11,1	0,54	No	11
06B3W	06B-3	3/8"	9,525	5,72	6,35	3,28	8,26	34,00	3,30	10,24	0,81	24,9	24,9	1,18	Yes	7,11,12,15
08B3W	08B-3	1/2"	12,700	7,75	8,51	4,45	11,80	44,90	3,90	13,92	1,51	44,5	56,0	2,01	No	7,11,12
10B3W	10B-3	5/8"	15,875	9,65	10,16	5,08	14,73	52,80	4,10	16,59	2,02	66,7	80,0	2,70	No	7,11,12
12B3W	12B-3	3/4"	19,050	11,68	12,07	5,72	16,13	61,70	4,60	19,46	2,68	86,7	94,0	3,12	No	7,11,12
16B3W	16B-3	1"	25,400	17,02	15,88	8,28	21,08	99,90	5,40	31,88	6,31	160,0	211,0	7,50	No	7,11,12
20B3W	20B-3	1 1/4"	31,750	19,56	19,05	10,19	26,42	116,10	6,10	36,45	8,87	250,0	300,0	10,60	No	7,11,12
24B3W	24B-3	1 1/2"	38,100	25,40	25,40	14,63	33,40	150,20	6,60	48,36	16,63	425,0	523,0	20,00	No	7,12,111
28B3W	28B-3	1 3/4"	44,450	30,99	27,94	15,90	37,08	184,30	7,40	59,56	22,18	530,0	660,0	25,00	No	12,111
32B3W	32B-3	2"	50,800	30,99	29,21	17,81	42,29	184,50	7,90	58,55	24,31	670,0	800,0	32,00	No	7,12,111
40B3W	40B-3	2 1/2"	63,500	38,10	39,37	22,89	52,96	227,30	10,20	72,29	38,25	950,0	1140,0	48,70	No	12,111
48B3W	48B-3	3"	76,200	45,72	48,26	29,24	63,88	281,60	10,50	91,21	61,84	1500,0	1720,0	75,00	No	111

Item no. example

Chain: 08B1W

Rivet link (nitlänk): 08B1W-7

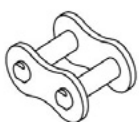
Spring clip connecting link: 08B1W-11

Connecting link with cotted pin: 16B1W-111

Single cranked link: 08B1W-12

Straight connecting link including to 20B are normally delivered with feather, but are partly stocked with connecting link with cotted pin.

Connecting links: According to ISO



-7

Outer link (to be riveted)



-11

Spring clip connecting link



-12

Single cranked link



-15

Double cranked link



-111

Connecting link with cotted pin



Wippermann roller chain in stainless steel is available from stock in sizes 05B1 to 16B2.

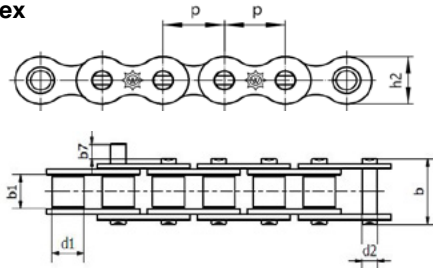
Stainless Marathon chain with polymer bushes is also available. This product can be read about on page 14.

Technical features:

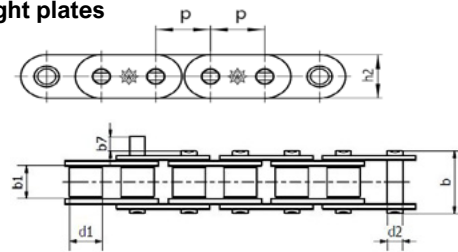
- Dimensions according to standard.
- The breaking load of the chain is lower than the standard chain.
- Used in extreme temperatures or corrosive environments.

Chain design	Material	Corrosion resistant	Surface treatment	Maintenance free	Lubrication
Simplex	Stainless	Yes	No treatment	No	Yes
Duplex	Stainless	Yes	No treatment	No	Yes
Triplex	Stainless	Yes	No treatment	No	Yes

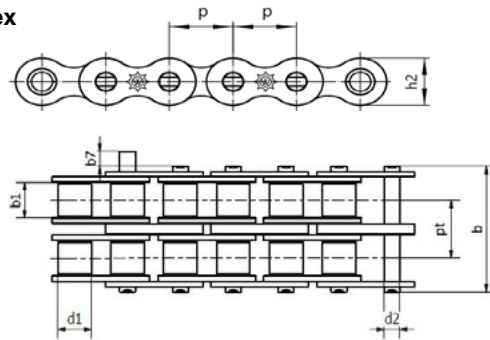
Simplex



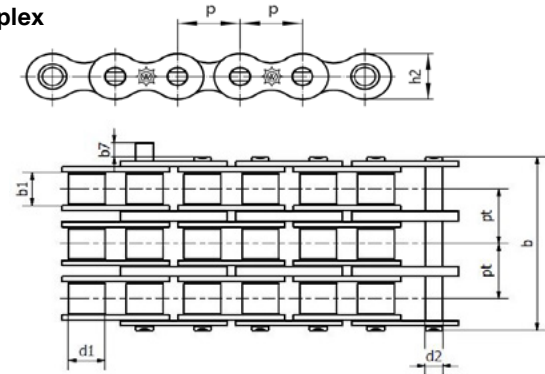
Straight plates



Duplex



Triplex



Item No [JENS S]	ISO standard size	Pitch, p [in]	Pitch, p [mm]	b1 min. [mm]	d1 max [mm]	d2 max [mm]	h2 max [mm]	b max [mm]	b7 max [mm]	Transverse pitch pt [mm]	Bearing area [cm ²]	Breaking load supplier min. [kN]	Weight [kg/m]	Straight side plates	Connecting link
05B1SS	05B-1		8,000	3,00	5,00	2,31	7,10	8,60	3,10	-	0,11	4,0	0,18	No	7,11
06B1SS	06B-1	3/8"	9,525	5,72	6,35	3,28	8,20	13,50	3,30	-	0,28	7,0	0,41	Yes	7,11,15
08B1SS	08B-1	1/2"	12,700	7,75	8,51	4,45	11,80	17,00	3,90	-	0,50	12,0	0,70	No	7,11,12
10B1SS	10B-1	5/8"	15,875	9,65	10,16	5,08	14,70	19,60	4,10	-	0,67	14,5	0,91	No	7,11,12
12B1SS	12B-1	3/4"	19,050	11,68	12,07	5,72	16,10	22,70	4,60	-	0,89	18,5	1,18	No	7,11,12
16B1SS	16B-1	1"	25,400	17,02	15,88	8,28	21,00	36,10	5,4	-	2,10	40,0	2,50	No	7,11,12
06B2SS	06B-2	3/8"	9,525	5,72	6,35	3,28	8,20	23,80	3,30	10,24	0,56	11,9	0,78	No	7,11,12
08B2SS	08B-2	1/2"	12,700	7,80	8,51	4,45	11,80	31,00	3,90	13,92	1,01	20,4	1,36	No	7,11,12
10B2SS	10B-2	5/8"	15,875	9,65	10,16	5,08	14,70	36,20	4,10	16,59	1,34	24,7	1,82	No	7,11,12
12B2SS	12B-2	3/4"	19,050	11,68	12,07	5,72	16,10	42,20	4,60	19,46	1,79	31,5	2,38	No	7,11,12
16B2SS	16B-2	1"	25,400	17,02	15,88	8,28	21,00	68,00	5,4	31,88	4,21	68,0	5,10	No	7,11,12
08B3SS	08B-3	1/2"	12,7	7,75	8,51	4,45	11,8	44,9	3,9	13,92	1,51	32,5	2,01	No	11,12,15
10B3SS	10B-3	5/8"	15,875	9,65	10,16	5,08	14,7	52,8	4,1	16,59	2,02	39	2,7	no	11,12,15
12B3SS	12B-3	3/4"	19,050	11,68	12,07	5,72	16,10	61,70	4,60	19,46	2,68	49,5	3,12	No	11,12,15
16B3SS	12B-4	1"	25,4	17,02	15,88	8,28	21	99,9	5,4	31,88	6,31	108	7,5	No	111,12

Item no. example

Chain: 08B1SS

Rivet link (nitlänk): 08B1SS-7

Spring clip connecting link: 08B1SS-11

Connecting link with cotted pin: 16B1SS-111

Single cranked link: 08B1SS-12

Double cranked link: 06B1SS-15

Chains with pitch 1" has connecting link with cotted pin

Connecting links: According to ISO



-7

Outer link (to be riveted)



-11

Spring clip connecting link



-12

Single cranked link



-15

Double cranked link



-111

Connecting link with cotted pin



For ANSI chains we have the same system as for European standard, but keep Wippermann and Protorque as a standard stock item.

All chains are always delivered pre-loaded with initial lubrication unless otherwise is specified.

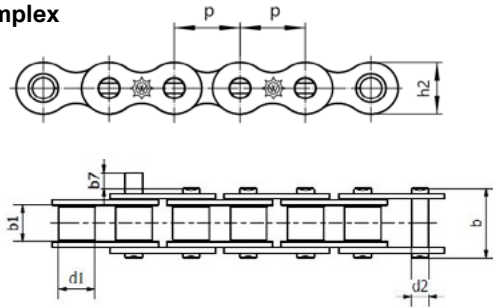
Our chain designs are simplex, duplex and triplex

Stock is divided into three tiers.

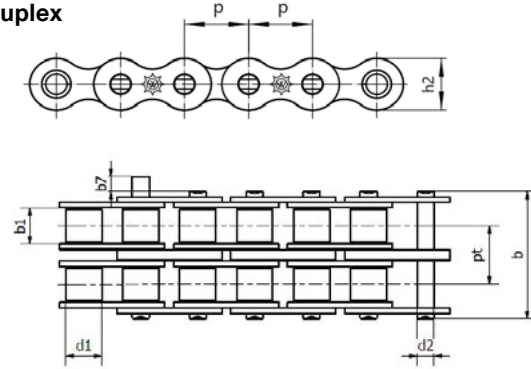
- Wippermann, highest quality chain from a manufacturer that is in the top of production and development.
- Witra, quality controlled and guaranteed roller chain according to standard.
- Protorque, a fit-for-function roller chain suitable for a broad range of industrial applications and is used in industries such as light material and wood industries.

Chain design	Material	Corrosion resistant	Surface treatment	Maintenance free	Lubrication
Simplex	Steel	No	No treatment	No	Yes
Duplex	Steel	No	No treatment	No	Yes
Triplex	Steel	No	No treatment	No	Yes

Simplex



Duplex



Simplex

Item No. [JENS S]	ISO standard size	Pitch, p [inch]	Pitch, p [mm]	b1 min [mm]	d1 max [mm]	d2 max [mm]	h2 max [mm]	b max [mm]	b7 max [mm]	Bearing area [cm ²]	Breaking load ISO min. [kN]	Breaking load supplier min. [kN]	Weight [kg/m]	Straight side plates	Connecting Link
04A1W*	25-1	1/4"	6,350	3,10	3,30	2,31	6,02	9,10	2,50	0,11	3,5	3,5	0,13	No	7,11,12
06A1W*	35-1	3/8"	9,525	4,68	5,08	3,58	9,10	13,20	3,30	0,27	7,9	10,2	0,35	No	7,11,12
08A1W	40-1	1/2"	12,700	7,85	7,95	3,96	12,00	17,80	3,90	0,44	14,1	16,5	0,60	No	7,11,12
10A1W	50-1	5/8"	15,875	9,40	10,16	5,08	15,00	21,80	4,10	0,70	22,2	30,0	1,01	No	7,11,12
12A1W	60-1	3/4"	19,050	12,57	11,91	5,94	18,00	26,90	4,60	1,05	31,8	40,0	1,58	No	7,11,12
16A1W	80-1	1"	25,400	15,75	15,88	7,92	24,10	33,50	5,40	1,78	56,7	69,0	2,36	No	7,11,12
20A1W	100-1	1 1/4"	31,750	18,90	19,05	9,53	30,10	41,10	6,1	2,61	88,5	92,5	3,80	No	7,12,111
24A1W	120-1	1 1/2"	38,100	25,22	22,23	11,1	36,20	50,80	6,6	3,92	127,0	139,0	5,40	No	7,12,111
28A1W	140-1	1 3/4"	44,450	25,22	25,40	12,7	42,20	54,90	7,4	4,70	172,4	178,5	7,30	No	7,12,111
32A1W	160-1	2"	50,800	31,55	28,58	14,27	48,20	65,50	7,9	6,42	226,8	231,0	9,90	No	7,12,111
40A1W	200-1	2 1/2"	63,500	37,85	39,68	19,84	60,30	80,30	10	10,85	353,8	387,0	16,50	No	12,111

* Without roller

Duplex

Item No. [JENS S]	ISO standard size	Pitch, p [inch]	Pitch, p [mm]	b1 min [mm]	d1 max [mm]	d2 max [mm]	h2 max [mm]	b max [mm]	b7 max [mm]	Transverse pitch pt [mm]	Bearing area [cm ²]	Breaking load ISO min. [kN]	Breaking load supplier min. [kN]	Weight [kg/m]	Straight side plates	Connecting Link
06A2W*	35-2	3/8"	9,525	4,68	5,08	3,58	9,00	23,40	3,30	10,3	0,53	15,8	17,0	0,70	No	11,12
08A2W	40-2	1/2"	12,700	7,85	7,95	3,96	12,00	32,30	3,90	14,38	0,88	28,2	29,7	1,20	No	7,11,12
10A2W	50-2	5/8"	15,875	9,40	10,16	5,08	15,00	39,90	4,10	18,11	1,40	44,4	62,0	1,78	No	7,11,12
12A2W	60-2	3/4"	19,050	12,57	11,91	5,94	18,00	49,80	4,60	22,78	2,10	63,6	76,0	3,15	No	7,11,12
16A2W	80-2	1"	25,400	15,75	15,88	7,92	24,10	62,70	5,40	29,29	3,56	113,4	135,0	4,90	No	7,11,12
20A2W	100-2	1 1/4"	31,750	18,90	19,05	9,53	30,10	77,00	6,1	35,76	5,22	177,0	205,0	7,60	No	12,111
24A2W	120-2	1 1/2"	38,100	25,22	22,23	11,1	36,20	96,30	6,6	45,44	7,84	254,0	290,0	10,80	No	12,111
28A2W	140-2	1 3/4"	44,450	25,22	25,40	12,7	42,20	103,00	7,4	48,87	9,40	344,8	357,0	14,30	No	12,111
32A2W	160-2	2"	50,800	31,55	28,58	14,27	48,20	124,00	7,9	58,55	12,84	453,6	455,0	19,40	No	12,111
40A2W	200-2	2 1/2"	63,500	37,85	39,68	19,84	60,30	151,00	10	71,55	21,70	707,6	730,0	33,00	No	12,111

Connecting links: According to ISO



-7
Outer link (to be riveted)



-11
Spring clip connecting link

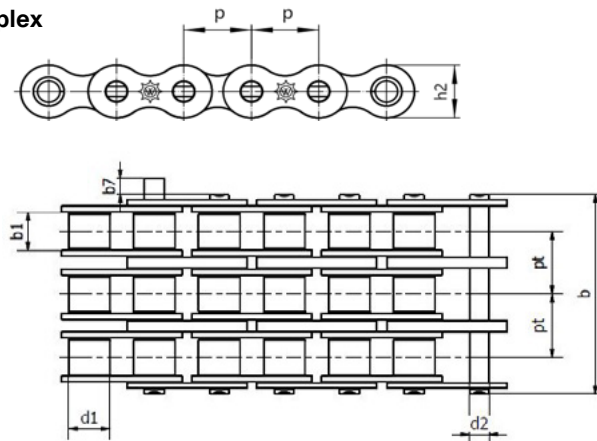


-12
Single cranked link



-111
Connecting link with cotted pin

Triplex



Triplex

Item No. [JENS S]	ISO standard size	Pitch, p [inch]	Pitch, p [mm]	b1 min [mm]	d1 max [mm]	d2 max [mm]	h2 max [mm]	b max [mm]	b7 max [mm]	Transverse pitch pt [mm]	Bearing area [cm ²]	Breaking load ISO min. [kN]	Breaking load supplier min. [kN]	Weight [kg/m]	Straight side plates	Connecting Link
06A3W*	35-3	3/8"	9,525	4,68	5,08	3,58	9,00	33,50	3,30	10,13	0,80	23,7	25,5	1,05	No	11,12
08A3W	40-3	1/2"	12,700	7,85	7,95	3,96	12,00	46,70	3,90	14,38	1,32	42,3	41,2	1,80	No	11,12
10A3W	50-3	5/8"	15,875	9,40	10,16	5,08	15,00	57,90	4,10	18,11	2,10	66,6	88,0	3,02	No	11,12
12A3W	60-3	3/4"	19,050	12,57	11,91	5,94	18,00	72,60	4,60	22,78	3,15	95,4	105,0	4,70	No	11,12
16A3W	80-3	1"	25,400	15,75	15,88	7,92	24,10	91,70	5,40	29,29	5,35	170,1	193,0	7,50	No	11,12
20A3W	100-3	1 1/4"	31,750	18,90	19,05	9,53	30,10	113,00	6,1	35,76	7,83	265,5	305,0	11,20	No	12,111
24A3W	120-3	1 1/2"	38,100	25,22	22,23	11,1	36,20	141,00	6,6	45,44	11,76	381,0	410,0	16,10	No	12,111
28A3W	140-3	1 3/4"	44,450	25,22	25,40	12,7	42,20	152,00	7,4	48,87	14,10	517,2	520,0	21,40	No	12,111
32A3W	160-3	2"	50,800	31,55	28,58	14,27	48,20	182,00	7,9	58,55	19,26	680,4	685,0	29,10	No	12,111
40A3W	200-3	2 1/2"	63,500	37,85	39,68	19,84	60,30	223,00	10	71,55	32,56	1061,4	1095,0	50,00	No	12,111

Item no. example

Chain: 08A1W

Rivet link (nitlänk): 08A1W-7

Spring clip connecting link: 08A1W-11

Connecting link with cotted pin: 20A1W-111

Single cranked link: 08A1W-12

Straight connecting link including to 16A are delivered with feather.

From 20A, the chain is always delivered with connecting link with cotted pin.

Connecting links: According to ISO



-11

Spring clip connecting link



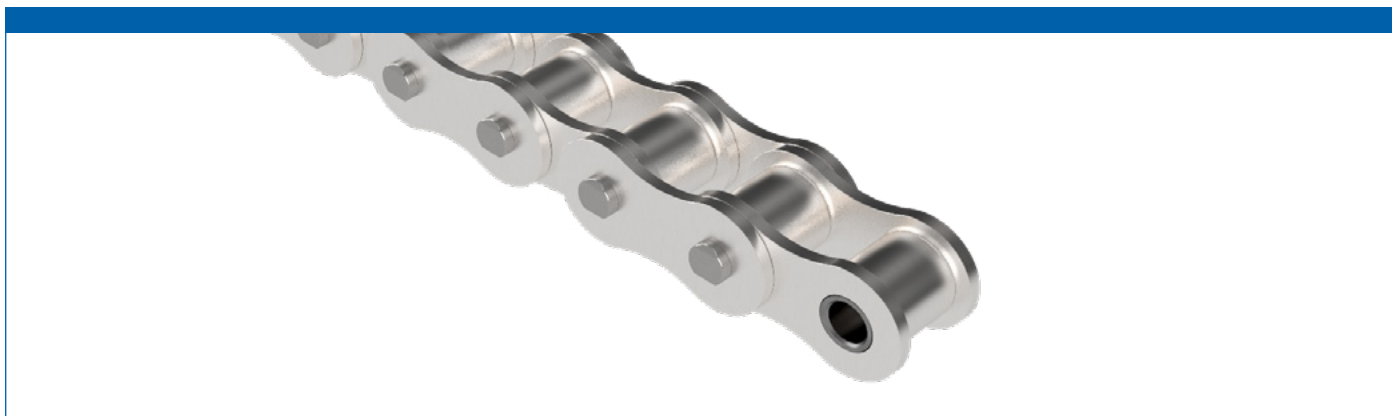
-12

Single cranked link



-111

Connecting link with cotted pin



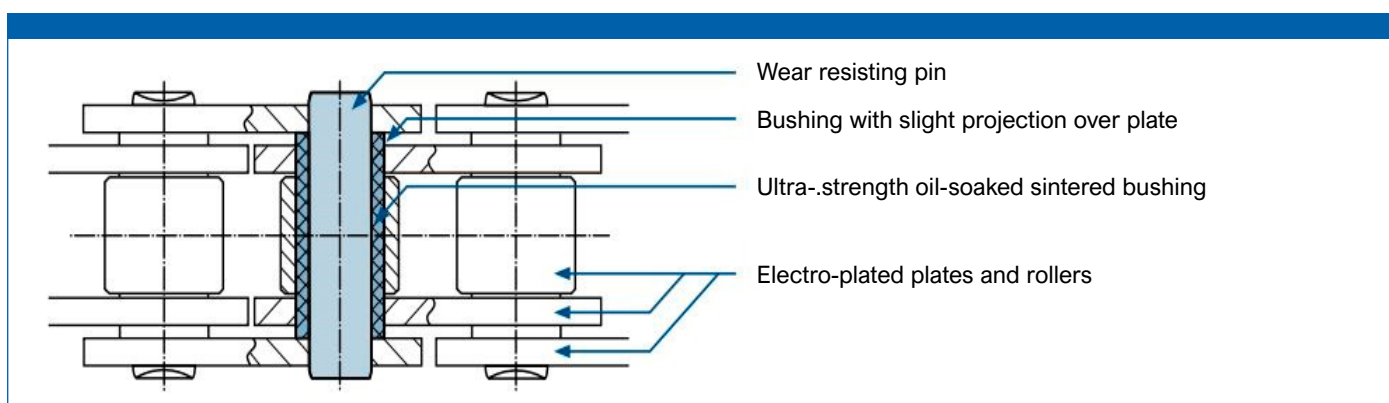
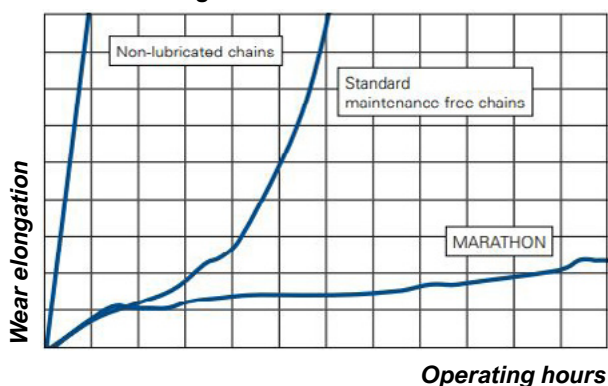
Self lubricating maintenance free roller chains with nickel plated side plates. A long distance chain that need no relubrication. Available in standard sizes 06B1 - 24B3.

Technical features

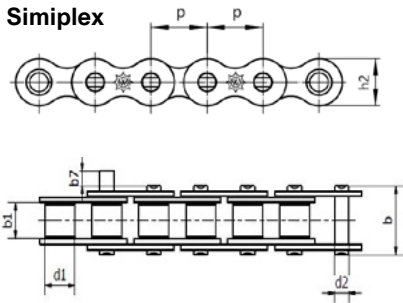
- Excellent "dry" characteristics for sensitive or dusty environments.
- Up to 35 times longer wear life in comparison with other standard roller chains without lubrication
- Same tensile strength as with Wipac standard chains
- High performance bearing joints
- Joint bushings made with a new type of sintered metal with high strength treated with a special lubricant.
- The pins forming the joints with these bushings are made of alloyed hardened steel and are treated with a special coating. The resulting high-wearing coat guarantees an excellent sliding performance

Chain design	Material	Corrosion resistant	Surface treatment	Maintenance free
Simplex	Steel	Yes	Nickel plated	Yes
Duplex	Steel	Yes	Nickel plated	Yes
Triplex	Steel	Yes	Nickel plated	Yes

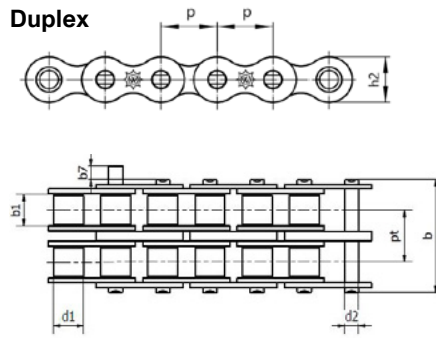
Results of long-term wear tests



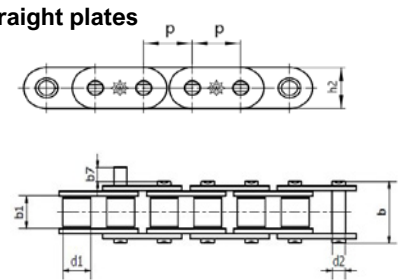
Simplex



Duplex



Straight plates



Simplex

Item No [JENS S]	ISO standard size	Pitch, p [inch]	Pitch, p [mm]	b1 min [mm]	d1 max [mm]	d2 max [mm]	h2 max [mm]	b max [mm]	b7 max [mm]	Bearing area [cm ²]	Breaking load supplier min. [kN]	Weight [kg/m]	Straight side plates	Connecting Link
06B1MA	06B-1	3/8"	9,525	5,72	6,35	3,28	8,20	13,5	3,30	0,28	9,6	0,41	No	7,11,12
08B1MA	08B-1	1/2"	12,700	7,75	8,51	4,45	11,80	17	3,90	0,50	18,6	0,70	No	7,11,12
08B1MARS	08B-1	1/2"	12,700	7,75	8,51	4,45	11,50	17	3,90	0,50	18,6	0,78	Yes	11,12
10B1MA	10B-1	5/8"	15,875	9,65	10,16	5,08	14,70	19,6	4,10	0,67	27,0	0,91	No	7,11,12
10B1MARS	10B-1	5/8"	15,875	9,65	10,16	5,08	14,20	19,6	4,10	0,67	27,0	1,03	Yes	11,12
12B1MA	12B-1	3/4"	19,050	11,68	12,07	5,72	16,10	22,7	4,60	0,89	31,0	1,18	No	7,11,12
12B1MARS	12B-1	3/4"	19,050	11,68	12,07	5,72	15,50	22,7	4,60	0,89	31,0	1,29	Yes	11,12
16B1MA	16B-1	1"	25,400	17,02	15,88	8,28	21,00	36,1	5,4	2,10	72,0	2,68	No	7,11,11,12
16B1MARS	16B-1	1"	25,400	17,02	15,88	8,28	24,00	36,1	5,4	2,10	72,0	3,29	Yes	11,11,11
16B1MARS21	16B-1	1"	25,400	17,02	15,88	8,28	21,00	36,1	5,4	2,10	72,0	2,90	Yes	11
20B1MA	20B-1	1 1/4"	31,750	19,56	19,05	10,19	26,40	43,2	6,1	2,96	105,0	3,50	No	7,11,11,12
20B1MARS	20B-1	1 1/4"	31,750	19,56	19,05	10,19	26,40	43,2	6,1	2,96	105,0	4,13	Yes	11,12
24B1MA	24B-1	1 1/2"	38,100	25,40	25,40	14,63	33,40	53,4	6,6	5,54	180,0	6,80	No	7,11,11,12
24B1MARS	24B-1	1 1/2"	38,100	25,40	25,40	14,63	33,40	53,4	6,6	5,54	180,0	7,34	Yes	12

Duplex

Item No [JENS S]	ISO standard size	Pitch, p [inch]	Pitch, p [mm]	b1 min [mm]	d1 max [mm]	d2 max [mm]	h2 max [mm]	b max [mm]	b7 max [mm]	Transverse pitch, pt [mm]	Bearing area [cm ²]	Breaking load supplier min. [kN]	Weight [kg/m]	Straight side plates	Connecting Link
06B2MA	06B-2	3/8"	9,525	5,72	6,35	3,28	8,20	23,80	3,30	10,24	0,56	17,4	0,86	No	7,11,12
08B2MA	08B-2	1/2"	12,700	7,75	8,51	4,45	11,80	31,00	3,90	13,92	1,01	37,0	1,36	No	7,11,12
08B2MARS	08B-2	1/2"	12,700	7,75	8,51	4,45	11,50	31,00	3,90	13,92	1,01	37,0	1,50	Yes	11
10B2MA	10B-2	5/8"	15,875	9,65	10,16	5,08	14,70	36,20	4,10	16,59	1,34	54,0	1,82	No	7,11,12
10B2MARS	10B-2	5/8"	15,875	9,65	10,16	5,08	14,20	36,20	4,10	16,59	1,34	54,0	2,00	Yes	11
12B2MA	12B-2	3/4"	19,050	11,68	12,07	5,72	16,10	42,20	4,60	19,46	1,79	63,0	2,38	No	7,11,12
16B2MA	16B-2	1"	25,400	17,02	15,88	8,28	21,00	68,00	5,4	31,88	4,21	140,0	5,30	No	7,11,11,11,12
16B2MARS	16B-2	1"	25,400	17,02	15,88	8,28	24,00	68,00	5,4	31,88	4,21	140,0	5,83	Yes	4,11
20B2MA	20B-2	1 1/4"	31,750	19,56	19,05	10,19	26,40	79,00	6,1	36,45	5,91	210,0	7,30	No	11,11,12
24B2MA	24B-2	1 1/2"	38,100	25,40	25,40	14,63	33,40	101,00	6,6	48,36	11,09	360,0	13,40	No	11,11,12

Connecting links: According to ISO



-4

Inner link



-7

Outer link (to be riveted)



-11

Spring clip connecting link



-12

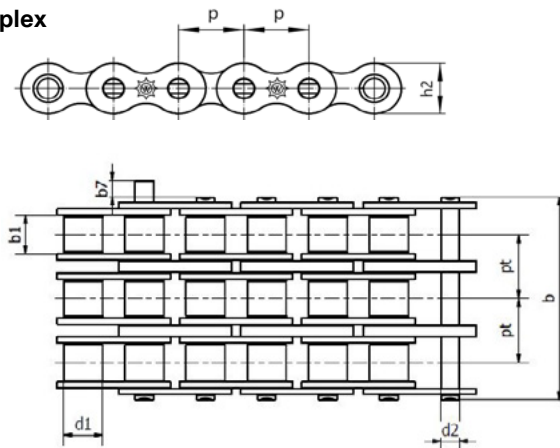
Single cranked link



-111

Connecting link with cotted pin

Triplex



Triplex

Item No [JENS S]	ISO standard size	Pitch, p [inch]	Pitch, p [mm]	b1 min [mm]	d1 max [mm]	d2 max [mm]	h2 max [mm]	b max [mm]	b7 max [mm]	Transverse pitch, pt [mm]	Bearing area [cm ²]	Breaking load supplier min. [kN]	Weight [kg/m]	Straight side plates	Connecting Link
08B3MA	08B-3	1/2"	12,700	7,75	8,51	4,45	11,80	44,90	3,90	13,92	1,51	56,0	2,01	No	11,12
10B3MA	10B-3	5/8"	15,875	9,65	10,16	5,08	14,70	52,80	4,10	16,59	2,02	80,0	2,70	No	11,12,15
12B3MA	12B-3	3/4"	19,050	11,68	12,07	5,72	16,10	61,70	4,60	19,46	2,68	94,0	3,12	No	11,12,15
16B3MA	16B-3	1"	25,400	17,02	15,88	8,28	21,00	99,90	5,4	31,88	6,31	211,0	7,50	No	11,111,12
20B3MA	20B-3	1 1/4"	31,750	19,56	19,05	10,19	26,40	116,00	6,1	36,45	8,87	300,0	10,60	No	111,12

Item no. example

Chain: 08B1MA

Rivet link (nitlänk): 08B1MA-7

Spring clip connecting link: 08B1MA-11

Connecting link with cotted pin: 16B1MA-111

Single cranked link: 08B1MA-12

Straight connecting link including to 16A are delivered with feather.

From 20A, the chain is always delivered with connecting link with cotted pin.

Connecting links: According to ISO



-11

Spring clip connecting link



-12

Single cranked link

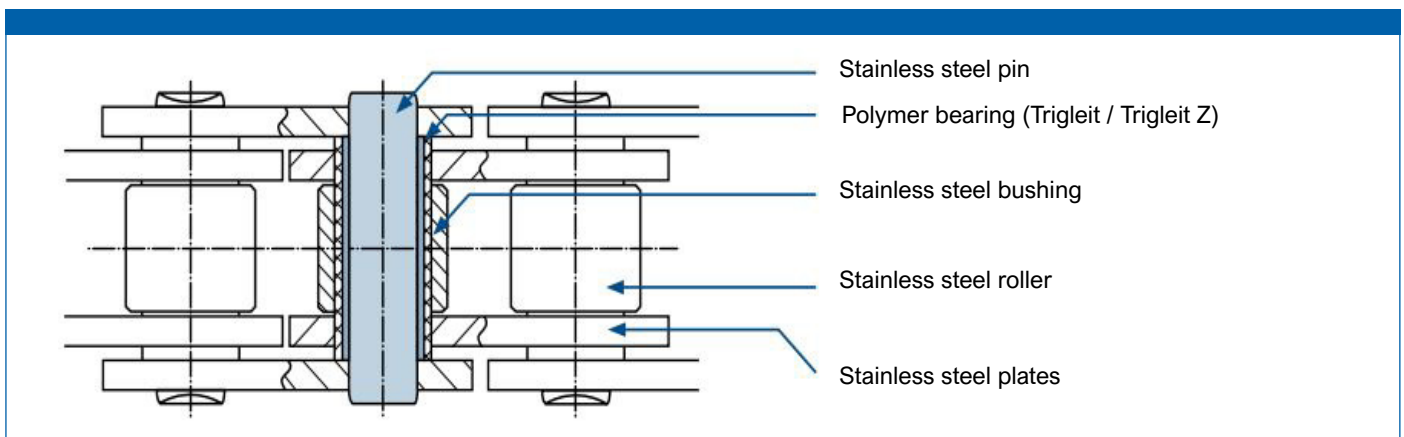


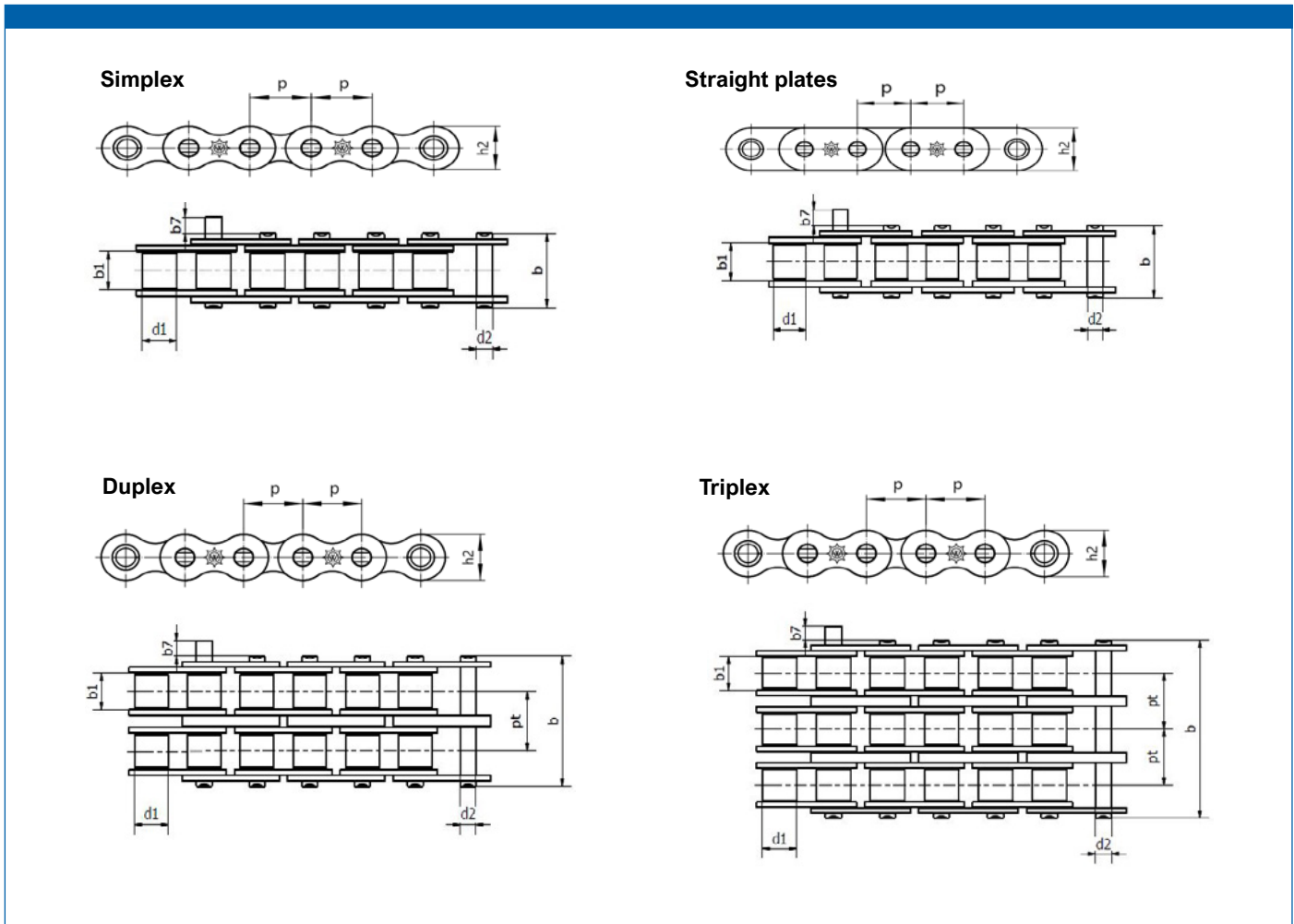
High performance polymer bearings allow operation of stainless steel chains without relubrication. This chain is available from stock in sizes from 08B1 to 12B1. Sizes in duplex and triplex are available on request.

Technical features

- Durable and low-friction polymer bearing
- All other chain components are made of stainless steel grades
- Working temperature -30°C to +60°C (Trigleit).
- Working temperature -100°C to +200°C (Trigleit Z / Trigleit FDA).
- Relubrication with mineral oils possible (no ester oils).
- Information on chemical resistance on request.

Chain design	Material	Corrosion resistant	Surface treatment	Maintenance free
Simplex	Stainless Steel	Yes	No treatment	Yes
Duplex	Stainless Steel	Yes	No treatment	Yes
Triplex	Stainless Steel	Yes	No treatment	Yes





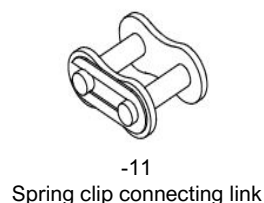
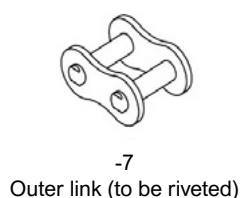
Simplex														
Item No [JENS S]	ISO standard size	Pitch, p (inch)	Pitch, p [mm]	b1 min [mm]	d1 max [mm]	d2 max [mm]	h2 max [mm]	b max [mm]	b7 max [mm]	Bearing area [cm ²]	Breaking load supplier minimum [kN]	Weight [kg/m]	Straight side plates	Connecting link
08B1MASS	08B-1	1/2"	12,700	7,75	8,51	4,45	11,80	17,00	3,90	0,50	12,0	0,70	No	7,11,12
10B1MASS	10B-1	5/8"	15,875	9,65	10,16	5,08	14,70	19,60	4,10	0,67	14,5	0,91	No	7,11,12
12B1MASS	12B-1	3/4"	19,050	11,68	12,07	5,72	16,10	22,70	4,60	0,89	18,5	1,18	No	7,11,12
16B1MASS	16B-1	1"	25,400	17,02	15,88	8,28	21,00	36,10	5,40	2,10	40,0	2,50	No	7,111,12

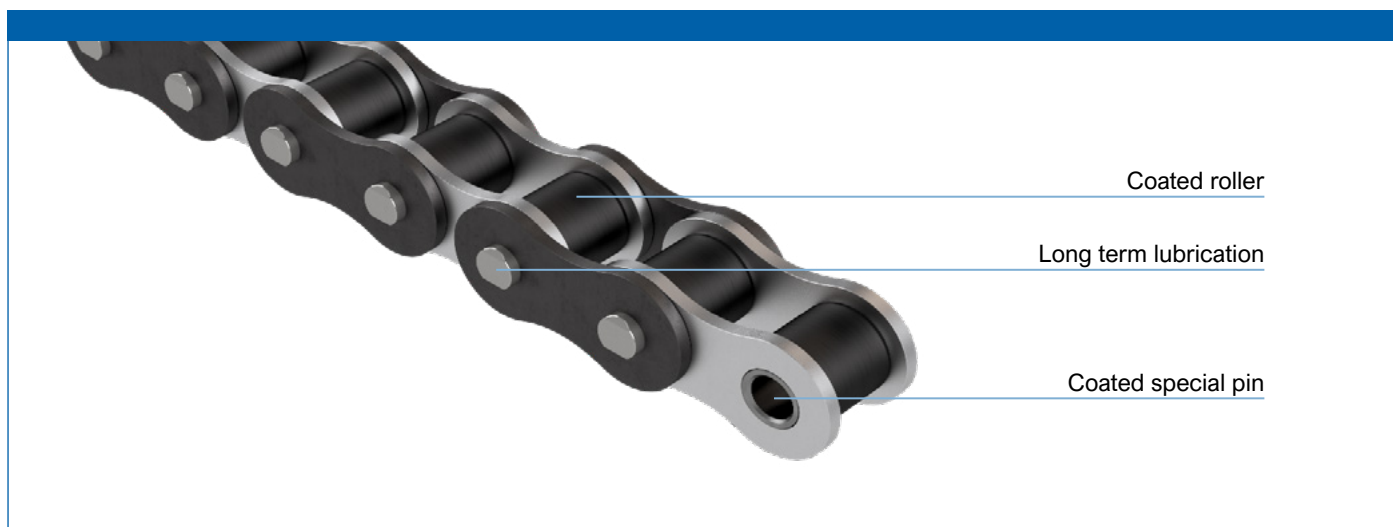
Item no. example

Chain: 08B1MA
 Rivet link (nitlänk): 08B1MA-7

Spring clip connecting link: 08B1MA-11
 Single cranked link: 08B1MA-12

Connecting links: According to ISO





Biathlon roller chains have coated pins and bushes that give a better wear resistance even with lower maintenance. Also available in a surface treated execution for corrosion resistance. The special coating of chain pins and rollers allows for excellent dry-running operation characteristics. This makes this chain particularly resistant against phases without sufficient relubrication. The extended wear life increases the availability of machines and equipment.

Available from 08B1-24B3.

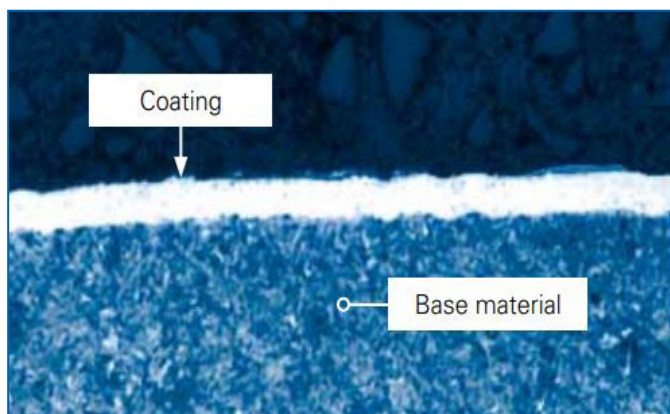
Technical features:

- A cost effective problem solver.
- Coated chain pins
- Coated rollers
- Special long-term lubricants

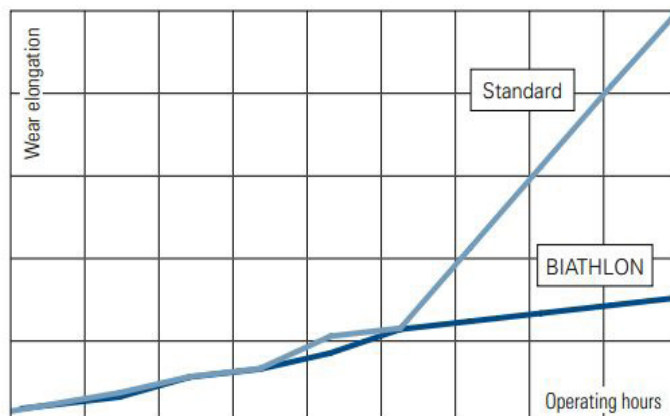
Benefits for application

- Particulary efficient
- Dry-running operation charachteristics in case of deficient lubrucation
- Corrision-protection on request

Chain design	Material	Corrosion resistant	Surface treatment	Maintenance free	Lubrication
Simplex	Steel	No	No treatment	No	Yes
Duplex	Steel	No	No treatment	No	Yes
Triplex	Steel	No	No treatment	No	Yes

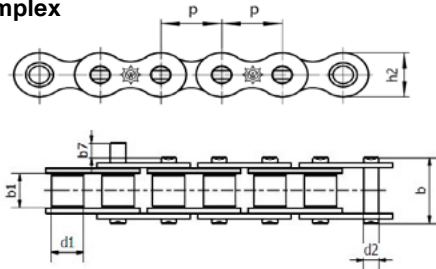


Cross-section polish of coated chain pin

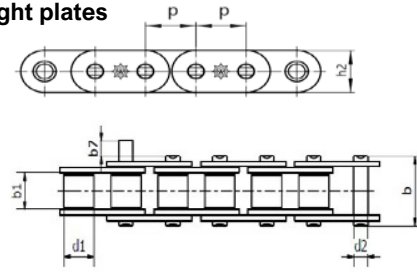


Wear diagram

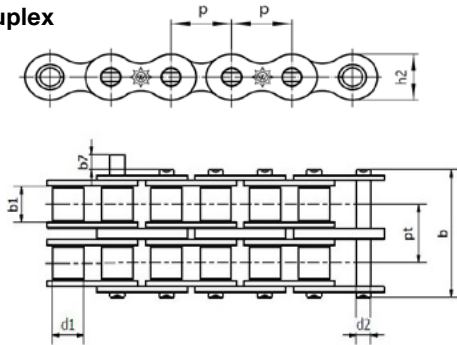
Simplex



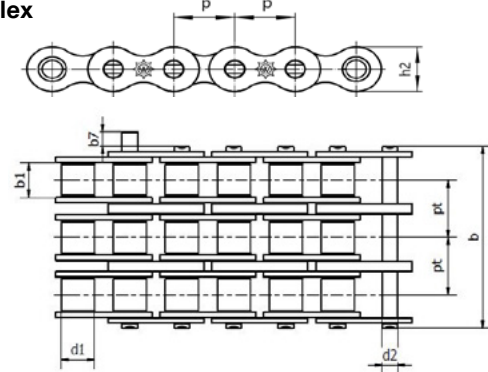
Straight plates



Duplex



Triplex



Item No [JENS S]	ISO standard size	Chain design	Pitch, p [inch]	Pitch, p [mm]	b1 min [mm]	d1 max [mm]	d2 max [mm]	h2 max [mm]	b max [mm]	b7 max [mm]	Bearing area [cm ²]	Breaking load supplier min. [kN]	Weight [kg/m]	Transverse pitch, pt [mm]	Straight side plates	Connecting Link
08B1BI	08B-1	Simplex	1/2"	12,700	7,75	8,51	4,45	11,80	17,00	3,90	0,50	18,6	0,70	-	No	7,11,12
10B1BI	10B-1	Simplex	5/8"	15,875	9,65	10,16	5,08	14,70	19,60	4,10	0,67	27,0	0,91	-	No	7,11,12
12B1BI	12B-1	Simplex	3/4"	19,050	11,68	12,07	5,72	16,10	22,70	4,60	0,89	31,0	1,18	-	No	7,11,12
16B1BI	16B-1	Simplex	1"	25,400	17,02	15,88	8,28	21,00	36,10	5,4	2,10	72,0	2,68	-	No	7,11,12
20B1BI	20B-1	Simplex	1 1/4"	31,750	19,56	19,05	10,19	26,40	43,20	6,1	2,96	105,0	3,50	-	No	111,12
24B1BI	24B-1	Simplex	1 1/2"	38,100	25,40	25,40	14,63	33,40	53,40	6,6	5,54	180,0	6,80	-	No	111,12
08B2BI	08B-2	Duplex	1/2"	12,700	7,75	8,51	4,45	11,80	31,00	3,90	13,92	1,01	37,0	1,36	No	11,12
10B2BI	10B-2	Duplex	5/8"	15,875	9,65	10,16	5,08	14,70	36,20	4,10	16,59	1,34	54,0	1,82	No	11,12
12B2BI	12B-2	Duplex	3/4"	19,050	11,68	12,07	5,72	16,10	42,20	4,60	19,46	1,79	63,0	2,38	No	11,12
16B2BI	16B-2	Duplex	1"	25,400	17,02	15,88	8,28	21,00	68,00	5,4	31,88	4,21	140,0	5,30	No	111,12
20B2BI	20B-2	Duplex	1 1/4"	31,750	19,56	19,05	10,19	26,40	79,00	6,1	36,45	5,91	210,0	7,30	No	111,12
24B2BI	24B-2	Duplex	1 1/2"	38,100	25,40	25,40	14,63	33,40	101,00	6,6	48,36	11,09	360,0	13,40	No	111,12
08B3BI	08B-3	Triplex	1/2"	12,700	7,75	8,51	4,45	11,80	44,90	3,90	13,92	1,51	56,0	2,01	No	11,12
10B3BI	10B-3	Triplex	5/8"	15,875	9,65	10,16	5,08	14,70	52,80	4,10	16,59	2,02	80,0	2,70	No	11,12
12B3BI	12B-3	Triplex	3/4"	19,050	11,68	12,07	5,72	16,10	61,70	4,60	19,46	2,68	94,0	3,12	No	11,12
16B3BI	16B-3	Triplex	1"	25,400	17,02	15,88	8,28	21,00	99,90	5,4	31,88	6,31	211,0	7,50	No	111,12
20B3BI	20B-3	Triplex	1 1/4"	31,750	19,56	19,05	10,19	26,40	116,00	6,1	36,45	8,87	300,0	10,60	No	111,12
24B3BI	24B-3	Triplex	1 1/2"	38,100	25,40	25,40	14,63	33,40	150,00	6,6	48,36	16,63	523,0	20,00	No	111,12

Item no. example

Chain: 08B1BI-11

Rivet link (nitlänk): 08B1BI-7

Spring clip connecting link: 08B1BI-11

Connecting link with cotted pin: 16B1BI-111

Single cranked link: 08B1BI-12

Standard sprockets can be used for these chains. Chain with straight plates is available on request.

Chain with pitch from 1" and over has connecting link with cotted pin.

Connecting links: According to ISO



-7

Outer link (to be riveted)



-11

Spring clip - Connecting link



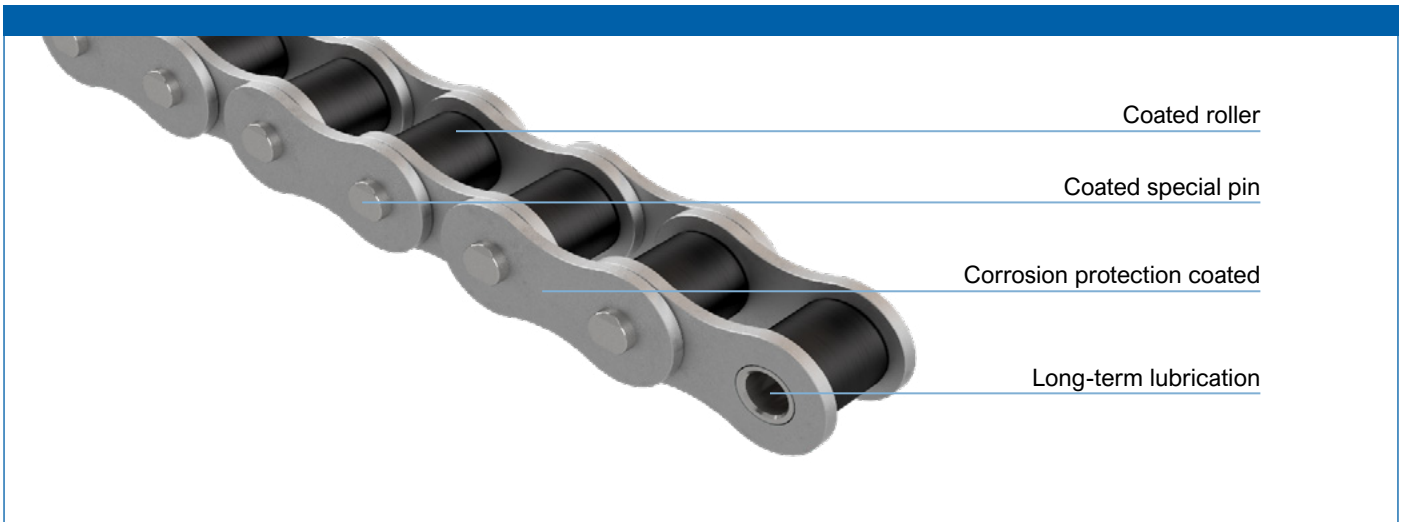
-12

Single cranked link



-111

Connecting link with cotted pin



Roller chain with coated pins and bushes that give a better wear resistance even with lower maintenance. Also available in a surface treated execution for corrosion resistance. The special coating of chain pins and rollers allows for excellent dry-running operation characteristics and thus makes this chain particularly resistant against phases without sufficient relubrication. The extended wear life increases the availability of machines and equipment.

Available from 08B1-24B3.

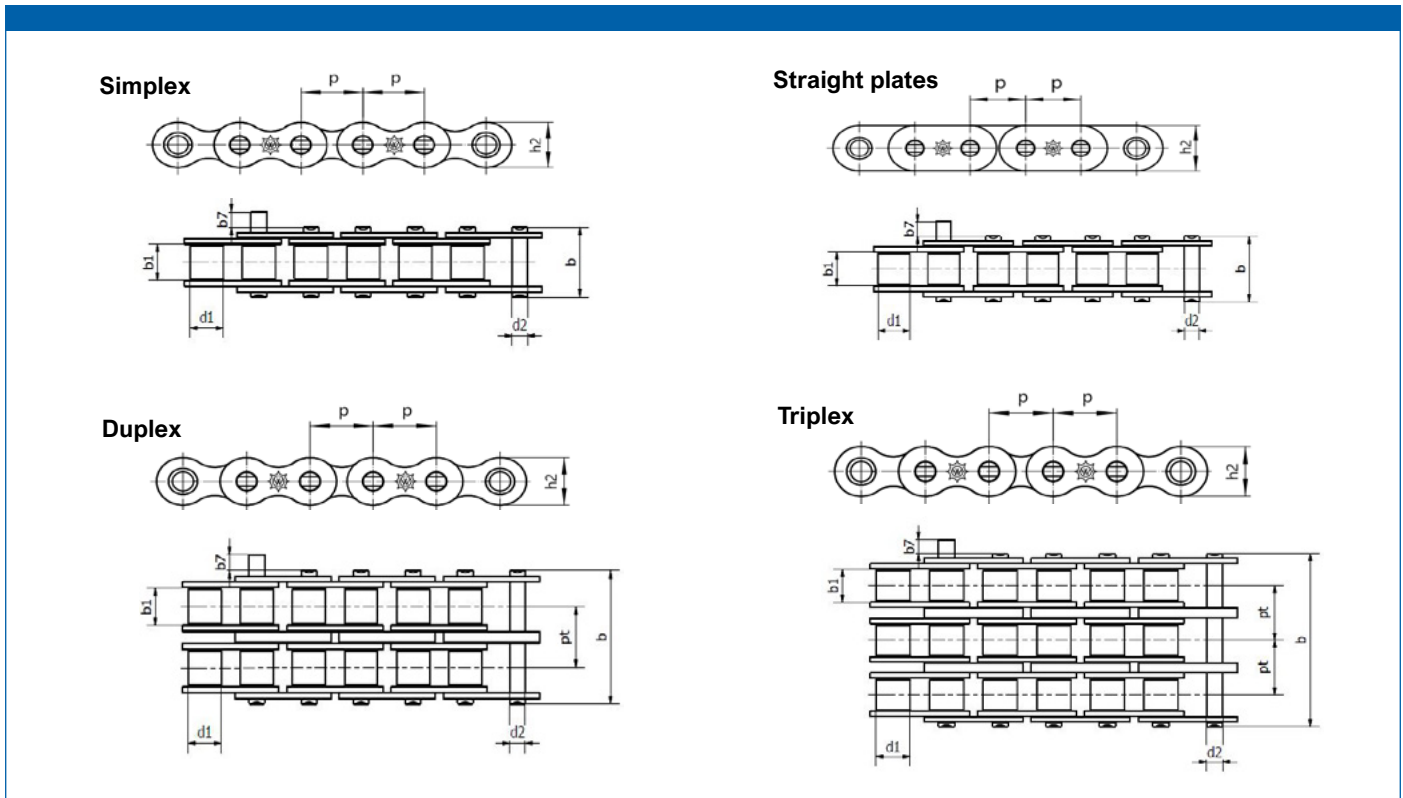
Technical features:

- Coated chain pins and bushings
- Coated rollers
- Coated plates
- Special long-term lubricant

Benefits for application

- Particular efficient
- Dry-running operation characteristics in case of deficient lubrication
- High-tech corrosion protection
- RoHS compliance due to non-use of hexavalent chromium

Chain design	Material	Corrosion resistant	Surface treatment	Maintenance free	Lubrication
Simplex	Steel	Yes	Zink Flake	No	Yes
Duplex	Steel	Yes	Zink Flake	No	Yes
Triplex	Steel	Yes	Zink Flake	No	Yes



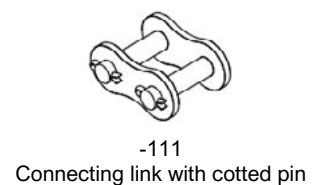
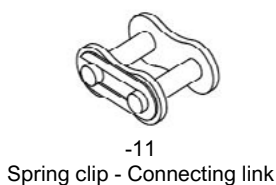
Item No [JENS S]	ISO standard size	Chain design	Pitch, p [inch]	Pitch, p [mm]	b1 min [mm]	d1 max [mm]	d2 max [mm]	h2 max [mm]	b max [mm]	b7 max [mm]	Transverse pitch, pt [mm]	Bearing area [cm ²]	Breaking load supplier min. [kN]	Weight [kg/m]	Straight side plates	Connecting Link
08B1BIKS	08B-1	Simplex	1/2"	12,700	7,75	8,51	4,45	11,80	17,00	3,90	-	0,50	18,6	0,70	No	11,12
10B1BIKS	10B-1	Simplex	5/8"	15,875	9,65	10,16	5,08	14,70	19,60	4,10	-	0,67	27,0	0,91	No	11,12
12B1BIKS	12B-1	Simplex	3/4"	19,050	11,68	12,07	5,72	16,10	22,70	4,60	-	0,89	31,0	1,18	No	11,12
16B1BIKS	16B-1	Simplex	1"	25,400	17,02	15,88	8,28	21,00	36,10	5,4	-	2,10	72,0	2,68	No	11,11,12
20B1BIKS	20B-1	Simplex	1 1/4"	31,750	19,56	19,05	10,19	26,40	43,20	6,1	-	2,96	105,0	3,50	No	111,12
24B1BIKS	24B-1	Simplex	1 1/2"	38,100	25,40	25,40	14,63	33,40	53,40	6,6	-	5,54	180,0	6,80	No	111,12
08B2BIKS	08B-2	Duplex	1/2"	12,700	7,75	8,51	4,45	11,80	31,00	3,90	13,92	1,01	37,0	1,36	No	11,12
10B2BIKS	10B-2	Duplex	5/8"	15,875	9,65	10,16	5,08	14,70	36,20	4,10	16,59	1,34	54,0	1,82	No	11,12
12B2BIKS	12B-2	Duplex	3/4"	19,050	11,68	12,07	5,72	16,10	42,20	4,60	19,46	1,79	63,0	2,38	No	11,12
16B2BIKS	16B-2	Duplex	1"	25,400	17,02	15,88	8,28	21,00	68,00	5,4	31,88	4,21	140,0	5,30	No	11,11,12
20B2BIKS	20B-2	Duplex	1 1/4"	31,750	19,56	19,05	10,19	26,40	79,00	6,1	36,45	5,91	210,0	7,30	No	111,12
24B2BIKS	24B-2	Duplex	1 1/2"	38,100	25,40	25,40	14,63	33,40	101,00	6,6	48,36	11,09	360,0	13,40	No	111,12
08B3BIKS	08B-3	Triplex	1/2"	12,700	7,75	8,51	4,45	11,80	44,90	3,90	13,92	1,51	56,0	2,01	No	11,12
10B3BIKS	10B-3	Triplex	5/8"	15,875	9,65	10,16	5,08	14,70	52,80	4,10	16,59	2,02	80,0	2,70	No	11,12
12B3BIKS	12B-3	Triplex	3/4"	19,050	11,68	12,07	5,72	16,10	61,70	4,60	19,46	2,68	94,0	3,12	No	11,12
16B3BIKS	16B-3	Triplex	1"	25,400	17,02	15,88	8,28	21,00	99,90	5,4	31,88	6,31	211,0	7,50	No	11,11,12
20B3BIKS	20B-3	Triplex	1 1/4"	31,750	19,56	19,05	10,19	26,40	116,00	6,1	36,45	8,87	300,0	10,60	No	111,12
24B3BIKS	24B-3	Triplex	1 1/2"	38,100	25,40	25,40	14,63	33,40	150,00	6,6	48,36	16,63	523,0	20,00	No	111,12

Item no. example

Chain: 08B1BIKS
 Spring clip connecting link: 08B1BIKS-11
 Connecting link with cotted pin: 16B1BIKS-111
 Single cranked link: 08B1BIKS-12

Standard sprockets can be used for these chains. Chain with straight plates is available on request.
 Chain with pitch from 1" and over has connecting link with cotted pin.

Connecting links: According to ISO





The TRIATHLON HT is a high-performance chain that has a high load capacity for temperatures up to 200°C, even without additional lubricants. It's also extremely wear-resistant. Whether with minimal surface lubrication to protect the sprockets or completely free of lubrication for highly sensitive applications, the TRIATHLON HT sets new standards with perfectly coordinated materials, coated pins, special coated rollers and also through its innovative high-tech polymer bushings in numerous application areas.

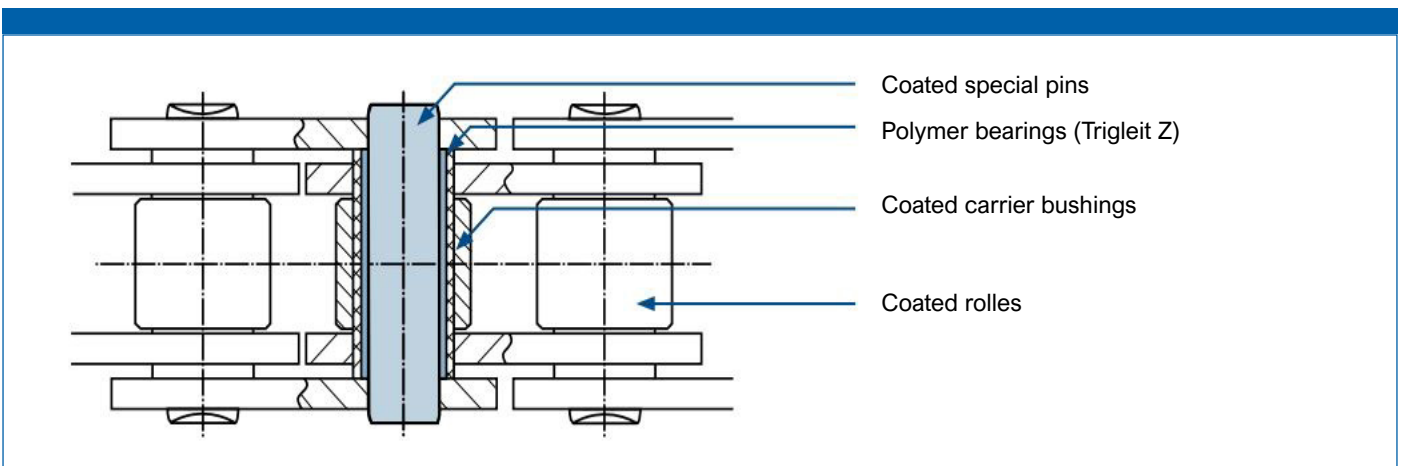
Available on request in standard sizes 06B-1 - 24B3. Also available in a surface treated execution for corrosion resistance.

Technical features

- Coated bushings with high-tech polymer inserts
- Coated pin chains
- Coated rollers

Benefits for application

- High temperature versatility with a working temperature from -30°C to +200°C.
- Highly resilient, low friction chain joints
- No relubrication required
- Lubricant-free for chain speeds up to 2.5 m/s





TRIATHLON KS, is maintenance-free chains that do not require lubrication. The chain proves to be a real all-rounder due to its high load bearing carbon steels, environmentally friendly corrosion protection and our tried and proved TRIGLEIT FDA polymer bushings. The TRIATHLON KS chain is ideally suited for application in large systems, intermittent operation and humid ambient conditions. Thanks to its high durability and wear resistance without the need for relubrication, its application is particularly economic in these areas.

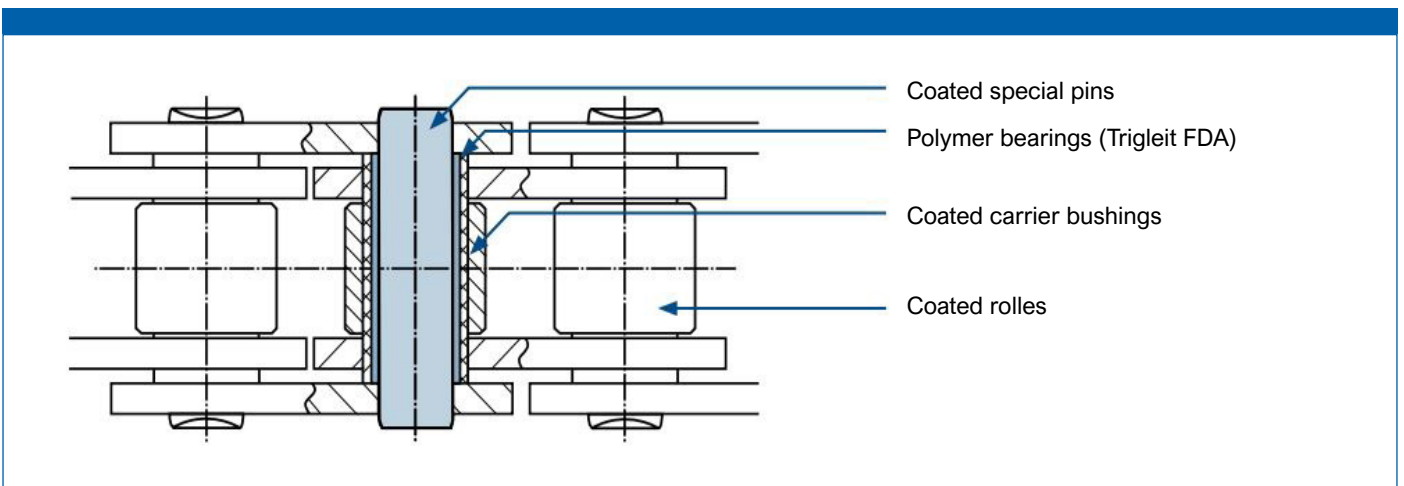
Available on request in standard sizes 08B1 - 24B3.

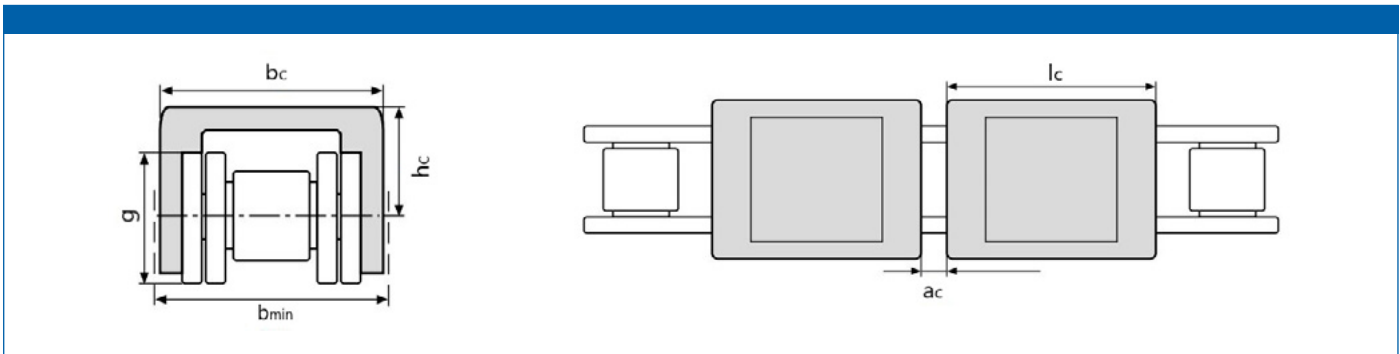
Technical features

- Coated bushings with trigleit FDA inserts
- Coated pins and plates
- Rolls made of corrosion resistant steel with maximum ductility.

Benefits for application

- High-tech corrosion protection
- RoHS compliance due to non-use of hexavalent chromium
- highly resilient, low friction chain joints
- Temperatures from -30°C to +150°C (up to 200°C on request)





These clips are suitable for mounting on roller chains (type series GL) and prevent the direct contact between the chain and the items to be transported. Furthermore, they enlarge the contact surface. They are therefore able to guarantee a particularly safe conveyance process. Available upon your request.

Chain	ISO	g [mm]	ac [mm]	bc [mm]	bmin [mm]	hc [mm]	lc [mm]	max. vertical load [kg/clip]
08B1RS	08B-1	11,5	3,5	19,7	22	9,3	21,9	70
10B1RS	10B-1	14,2	1,55	22,6	25	12,5	30,2	90
12B1RS	12B-1	15,5	3,9	25,4	28	13,2	34,2	110
16B1RS21	16B-1	21	5,1	40,9	45	18,5	45,7	140
16B1RS	16B-1	24	6	42	45	18,5	45,7	140
20B1RS	20B-1	26,5	10,4	47	50	23,2	53,4	180
08B2RS	08B-2	11,5	3,5	33,7	36	9,3	21,9	140
10B2RS	10B-2	14,2	1,55	39,3	42	12,5	30,2	180
12B2RS	12B-2	15,5	3,9	45,3	48	13,2	34,2	220

Technical features

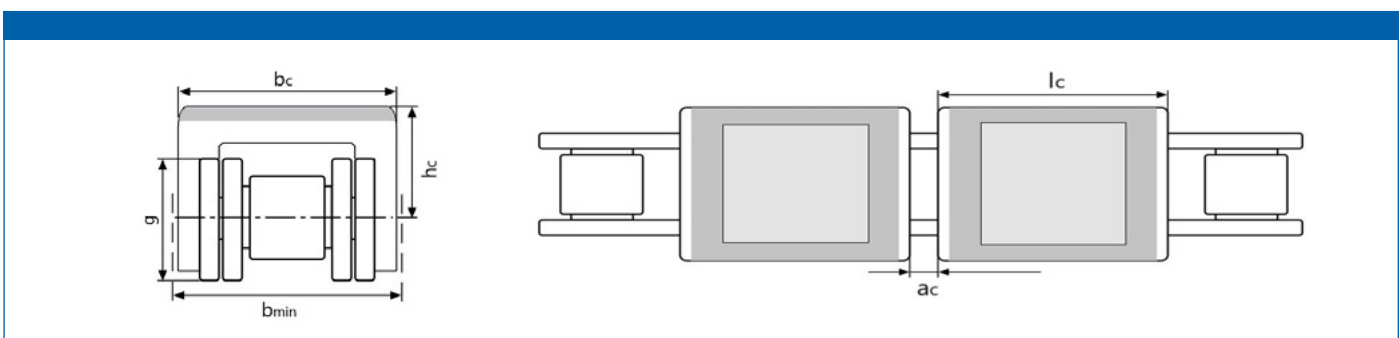
- Stiff and durable thermoplastic
- Impact resistant
- Wear resistant
- Friction coefficient $\mu = 0,15 \dots 0,3$ (against steel)
- Max. sustained temperature 80°C
- Not resistant against strong acids (pH < 4)

Benefits for application

- For simplex and duplex roller chains
- Protect sensitive goods from damage by the chain
- Wear resistant and durable POM
- No edge pressure at transfer points (see picture)
- High load capacity per clip
- Black clips for connecting links (mounting without spring clip)

Pom-Clips with top surface TPU

According to ISO 606



For the conveyance of particularly delicate goods as well as for goods that slip easily, this products are plastic clips with an overlay made of thermo-plastic elastomer (TPU) with a hardness of approximately 85 Shore A. Available upon your request.

Technical features

- POM-Clip: stiff, durable, impact resistant
- TPU-top: 85 Shore A
- Perfect junction between POM-Clip and TPU-top
- High friction, high abrasion resistance
- Max. sustained temperature 80°C

Benefits for application

- For chain 462GL, 513GL, 548GLS including MARATHON and Stainless Steel
- Basic clip POM, top surface TPU (85 Shore A)
- Protect sensitive goods from damage by the chain
- High coefficient of friction between clip and conveyed good

Chain	ISO	g [mm]	ac [mm]	bc [mm]	bmin [mm]	hc [mm]	lc [mm]	max. vertical load [kg/clip]
08B1RS	08B-1	11,5	3,4	19,5	22	13	21,9	70
10B1RS	12B-1	15,5	3,9	25,4	28	20	34,2	110
16B1RS21	16B-1	21	5,1	40,5	45	21,5	45,7	140

Attachments

According to ISO 606 and work standard



For chain							
ISO standard size	Pitch p, [inch]	Pitch p, [mm]	b1, min [mm]	b2, max [mm]	b3, min [mm]	d1, max [mm]	g, max [mm]
06B1	3/8"	9,525	5,72	8,53	8,66	6,35	8,2
08B1	1/2"	12,7	7,75	11,30	11,43	8,51	11,8
10B1	5/8"	15,875	9,65	13,28	13,41	10,16	14,7
12B1	3/4"	19,05	11,68	15,62	15,75	12,07	16,1
16B1	1"	25,4	17,02	25,40	25,6	15,88	21
20B1	1 1/4"	31,75	19,56	29,00	29,2	19,05	26,4
24B1	1 1/2"	38,1	25,4	37,90	38,2	25,4	33,4
28B1	1 3/4"	44,45	30,99	46,50	46,8	27,94	37
32B1	2"	50,8	30,99	45,50	45,8	29,21	42,2

08B1

Item no [JENS S]	M, [mm]	DL, [mm]	I, [mm]	F, [mm]	H, [mm]	s, [mm]	Execution
08B1-A	12,5	4,5	13,1	19	10	1,5	Rivet link
08B1-AF	12,5	4,5	13,1	19	10	1,5	Spring clip link
08B1-AI	12,5	4,5	13,1	19	10	1,5	Inner link
08B1-B	12,5	4,5	13,1	19	10	1,5	Rivet link
08B1-BF	12,5	4,5	13,1	19	10	1,5	Spring clip link
08B1-BI	12,5	4,5	13,1	19	10	1,5	Inner link
08B1-C	12,5	4,5			10	1,5	Rivet link
08B1-CF	12,5	4,5			10	1,5	Spring clip link
08B1-CI	12,5	4,5			10	1,5	Inner link

10B1

Item no [JENS S]	M, [mm]	DL, [mm]	I, [mm]	F, [mm]	H, [mm]	s, [mm]	Execution
10B1-A	15	5,5	16,7	27	10	1,7	Rivet link
10B1-AF	15	5,5	16,7	27	10	1,7	Spring clip link
10B1-AI	15	5,5	16,7	27	10	1,7	Inner link
10B1-B	15	5,5	16,7	27	10	1,7	Rivet link
10B1-BF	15	5,5	16,7	27	10	1,7	Spring clip link
10B1-BI	15	5,5	16,7	27	10	1,7	Inner link
10B1-C	15	5,5			10	1,7	Rivet link
10B1-CF	15	5,5			10	1,7	Spring clip link
10B1-CI	15	5,5			10	1,7	Inner link

12B1

Item no [JENS S]	M, [mm]	DL, [mm]	I, [mm]	F, [mm]	H, [mm]	s, [mm]	Execution
12B1-A	18,5	6,6	18,6	29	11	1,8	Rivet link
12B1-AF	18,5	6,6	18,6	29	11	1,8	Spring clip link
12B1-AI	18,5	6,6	18,6	29	11	1,8	Inner link
12B1-B	18,5	6,6	18,6	29	11	1,8	Rivet link
12B1-BF	18,5	6,6	18,6	29	11	1,8	Spring clip link
12B1-BI	18,5	6,6	18,6	29	11	1,8	Inner link
12B1-C	18,5	6,6			11	1,8	Rivet link
12B1-CF	18,5	6,6			11	1,8	Spring clip link
12B1-CI	18,5	6,6			11	1,8	Inner link

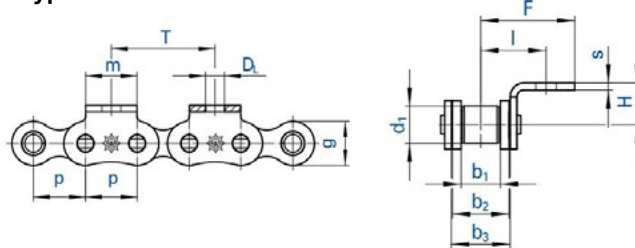
16B1

Item no [JENS S]	M, [mm]	DL, [mm]	I, [mm]	F, [mm]	H, [mm]	s, [mm]	Execution
16B1-A	25	9	28,9	41,8	18	3	Rivet link
16B1-AF	25	9	28,9	41,8	18	3	Spring clip link
16B1-AI	25	9	28,9	41,8	18	3	Inner link
16B1-B	25	9	28,9	41,8	18	3	Rivet link
16B1-BF	25	9	28,9	41,8	18	3	Spring clip link
16B1-BI	25	9	28,9	41,8	18	3	Inner link
16B1-C	25	9			18	3	Rivet link
16B1-CF	25	9			18	3	Spring clip link
16B1-CI	25	9			18	3	Inner link

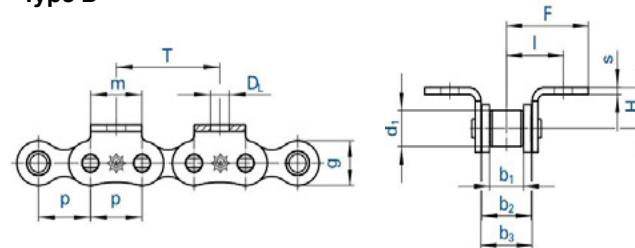
20B1

Item no [JENS S]	M, [mm]	DL, [mm]	I, [mm]	F, [mm]	H, [mm]	s, [mm]	Execution
20B1-A	35	9	33,4	49	18	3,75	Rivet link
20B1-AF	35	9	33,4	49	18	3,75	Spring clip link
20B1-B	35	9	33,4	49	18	3,75	Rivet link
20B1-BF	35	9	33,4	49	18	3,75	Spring clip link

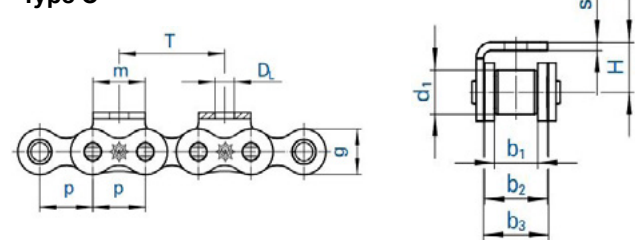
Type A



Type B



Type C



24B1

Item no [JENS S]	M, [mm]	DL, [mm]	I, [mm]	F, [mm]	H, [mm]	s, [mm]	Execution
24B1-A	38	11	44	64	25	5	Rivet link
24B1-AF	38	11	44	64	25	5	Spring clip link
24B1-B	38	11	44	64	25	5	Rivet link
24B1-BF	38	11	44	64	25	5	Spring clip link

28B1

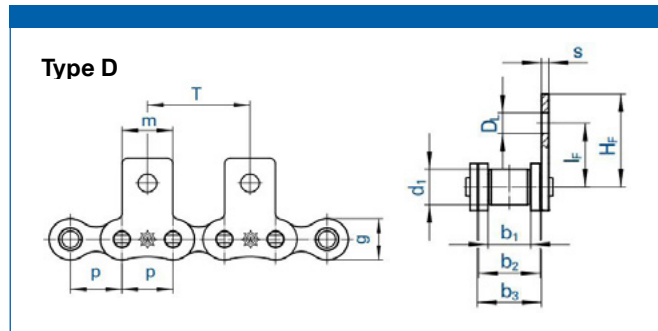
Item no [JENS S]	M, [mm]	DL, [mm]	I, [mm]	F, [mm]	H, [mm]	s, [mm]	Execution
28B1-A	45	14	54,1	78	32	6	Rivet link
28B1-AF	45	14	54,1	78	32	6	Spring clip link
28B1-B	45	14	54,1	78	32	6	Rivet link
28B1-BF	45	14	54,1	78	32	6	Spring clip link

32B1

Item no [JENS S]	M, [mm]	DL, [mm]	I, [mm]	F, [mm]	H, [mm]	s, [mm]	Execution
32B1-A	50	14	54	76,3	35	6	Rivet link
32B1-AF	50	14	54	76,3	35	6	Spring clip link
32B1-B	50	14	54	76,3	35	6	Rivet link
32B1-BF	50	14	54	76,3	35	6	Spring clip link

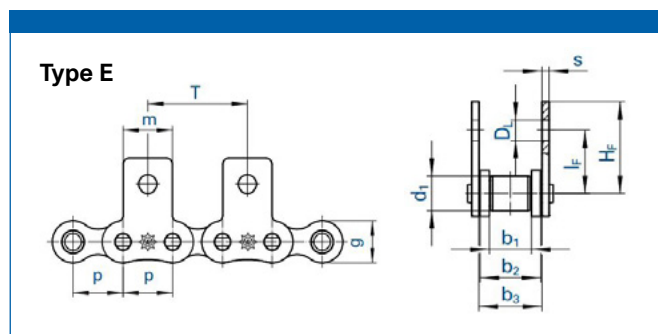
08B1

Item no [JENS S]	M, [mm]	DL, [mm]	IF, [mm]	HF, [mm]	s, [mm]	DZ (h9), [mm]	LZ, [mm]	FZ, [mm]	Execution
08B1-D	12,5	4,5	14,7	20,3	1,5				Rivet link
08B1-DF	12,5	4,5	14,7	20,3	1,5				Spring clip link
08B1-DI	12,5	4,5	14,7	20,3	1,5				Inner link
08B1-E	12,5	4,5	14,7	20,3	1,5				Rivet link
08B1-EF	12,5	4,5	14,7	20,3	1,5				Spring clip link
08B1-EI	12,5	4,5	14,7	20,3	1,5				Inner link
08B1-F	12,5	4,5				6	15	22,4	Rivet link
08B1-FF	12,5	4,5				6	15	22,4	Spring clip link



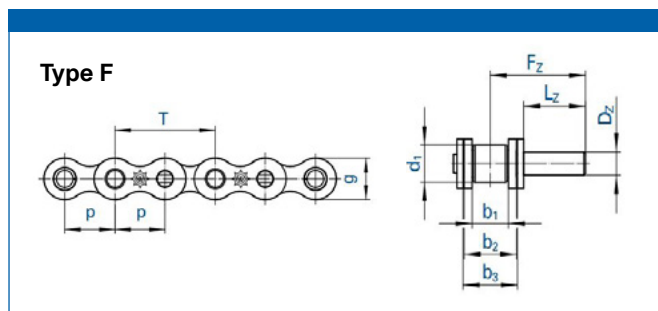
10B1

Item no [JENS S]	M, [mm]	DL, [mm]	IF, [mm]	HF, [mm]	s, [mm]	DZ (h9), [mm]	LZ, [mm]	FZ, [mm]	Execution
10B1-D	15	5,5	17,2	26,7	1,7				Rivet link
10B1-DF	15	5,5	17,2	26,7	1,7				Spring clip link
10B1-DI	15	5,5	17,2	26,7	1,7				Inner link
10B1-E	15	5,5	17,2	26,7	1,7				Rivet link
10B1-EF	15	5,5	17,2	26,7	1,7				Spring clip link
10B1-EI	15	5,5	17,2	26,7	1,7				Inner link
10B1-F	15	5,5				6,5	20	28,5	Rivet link
10B1-FF	15	5,5				6,5	20	28,5	Spring clip link



12B1

Item no [JENS S]	M, [mm]	DL, [mm]	G, [mm]	IF, [mm]	HF, [mm]	s, [mm]	DZ (h9), [mm]	LZ, [mm]	FZ, [mm]	Execution
12B1-D	18,5	6,6		18,7	29	1,8				Rivet link
12B1-DF	18,5	6,6		18,7	29	1,8				Spring clip link
12B1-DI	18,5	6,6		18,7	29	1,8				Inner link
12B1-E	18,5	6,6		18,7	29	1,8				Rivet link
12B1-E2S	34,8	6,6	19,1	18,7	29	1,8				Cottered pin link
12B1-EF	18,5	6,6		18,7	29	1,8				Spring clip link
12B1-EI	18,5	6,6		18,7	29	1,8				Inner link
12B1-F	18,5	6,6					7	20	29,8	Rivet link
12B1-FF	18,5	6,6					7	20	29,8	Spring clip link



16B1

Item no [JENS S]	M, [mm]	DL, [mm]	IF, [mm]	HF, [mm]	s, [mm]	DZ (h9), [mm]	LZ, [mm]	FZ, [mm]	Execution
16B1-D	25	9	28,6	41,5	3				Rivet link
16B1-DF	25	9	28,6	41,5	3				Spring clip link
16B1-DI	25	9	28,6	41,5	3				Inner link
16B1-E	25	9	28,6	41,5	3				Rivet link
16B1-EF	25	9	28,6	41,5	3				Spring clip link
16B1-EI	25	9	28,6	41,5	3				Inner link
16B1-F	25	9				10	30	45,9	Rivet link
16B1-FF	25	9				10	30	45,9	Spring clip link

Item no [JENS S]	M, [mm]	DL, [mm]	IF, [mm]	HF, [mm]	s, [mm]	DZ (h9), [mm]	LZ, [mm]	FZ, [mm]	Execution
24B1-D	38	11	41	60	5				Rivet link
24B1-DF	38	11	41	60	5				Spring clip link
24B1-E	38	11	41	60	5				Rivet link
24B1-EF	38	11	41	60	5				Spring clip link
24B1-F	38	11				16	35	59,1	Rivet link
24B1-FF	38	11				16	35	59,1	Spring clip link

20B1

Item no [JENS S]	M, [mm]	DL, [mm]	IF, [mm]	HF, [mm]	s, [mm]	DZ (h9), [mm]	LZ, [mm]	FZ, [mm]	Execution
20B1-D	35	9	30,5	46	3,75				Rivet link
20B1-DF	35	9	30,5	46	3,75				Spring clip link
20B1-E	35	9	30,5	46	3,75				Rivet link
20B1-EF	35	9	30,5	46	3,75				Spring clip link
20B1-F	35	9				12	30	48,4	Rivet link
20B1-FF	35	9				12	30	48,4	Spring clip link

Item no [JENS S]	M, [mm]	DL, [mm]	IF, [mm]	HF, [mm]	s, [mm]	Execution
28B1-D	45	14	52,5	75,5	6	Rivet link
28B1-DF	45	14	52,5	75,5	6	Spring clip link
28B1-E	45	14	52,5	75,5	6	Rivet link
28B1-EF	45	14	52,5	75,5	6	Spring clip link

32B1

Item no [JENS S]	M, [mm]	DL, [mm]	IF, [mm]	HF, [mm]	s, [mm]	Execution
32B1-D	50	14	53,5	77	6	Rivet link
32B1-DF	50	14	53,5	77	6	Spring clip link
32B1-E	50	14	53,5	77	6	Rivet link
32B1-EF	50	14	53,5	77	6	Spring clip link

08B1

Item no [JENS S]	M, [mm]	DL, [mm]	G, [mm]	I, [mm]	F, [mm]	H, [mm]	s, [mm]	Execution
08B1-A2	23,2	4,5	12,7	13,1	19	10	1,5	Rivet link
08B1-A2F	23,2	4,5	12,7	13,1	19	10	1,5	Rivet link
08B1-B2	23,2	4,5	12,7	13,1	19	10	1,5	Rivet link
08B1-B2F	23,2	4,5	12,7	13,1	19	10	1,5	Spring clip link

10B1

Item no [JENS S]	M, [mm]	DL, [mm]	G, [mm]	I, [mm]	F, [mm]	H, [mm]	s, [mm]	Execution
10B1-A2	28,5	5,5	15,9	16,7	27	10	1,7	Rivet link
10B1-A2F	28,5	5,5	15,9	16,7	27	10	1,7	Spring clip link
10B1-B2	28,5	5,5	15,9	16,7	27	10	1,7	Rivet link
10B1-B2F	28,5	5,5	15,9	16,7	27	10	1,7	Spring clip link

12B1

Item no [JENS S]	M, [mm]	DL, [mm]	G, [mm]	I, [mm]	F, [mm]	H, [mm]	s, [mm]	Execution
12B1-A2	34,8	6,6	19,1	18,6	29	11	1,8	Rivet link
12B1-A2F	34,8	6,6	19,1	18,6	29	11	1,8	Spring clip link
12B1-B2	34,8	6,6	19,1	18,6	29	11	1,8	Rivet link
12B1-B2F	34,8	6,6	19,1	18,6	29	11	1,8	Spring clip link

16B1

Item no [JENS S]	M, [mm]	DL, [mm]	G, [mm]	I, [mm]	F, [mm]	H, [mm]	s, [mm]	Execution
16B1-A2	46,5	9	25,4	28,9	42	18	3	Rivet link
16B1-A2F	46,5	9	25,4	28,9	42	18	3	Spring clip link
16B1-B2	46,5	9	25,4	28,9	42	18	3	Rivet link
16B1-B2F	46,5	9	25,4	28,9	42	18	3	Spring clip link

08B1

Item no [JENS S]	M, [mm]	DL, [mm]	G, [mm]	IF, [mm]	HF, [mm]	s, [mm]	Execution
08B1-D2	23,2	4,5	12,7	14,7	20,3	1,5	Rivet link
08B1-D2F	23,2	4,5	12,7	14,7	20,3	1,5	Spring clip link
08B1-E2	23,2	4,5	12,7	14,7	20,3	1,5	Rivet link
08B1-E2F	23,2	4,5	12,7	14,7	20,3	1,5	Spring clip link

12B1

Item no [JENS S]	M, [mm]	DL, [mm]	G, [mm]	IF, [mm]	HF, [mm]	s, [mm]	Execution
12B1-D2	34,8	6,6	19,1	18,7	29	1,8	Rivet link
12B1-D2F	34,8	6,6	19,1	18,7	29	1,8	Spring clip link
12B1-E2	34,8	6,6	19,1	18,7	29	1,8	Rivet link
12B1-E2F	34,8	6,6	19,1	18,7	29	1,8	Spring clip link

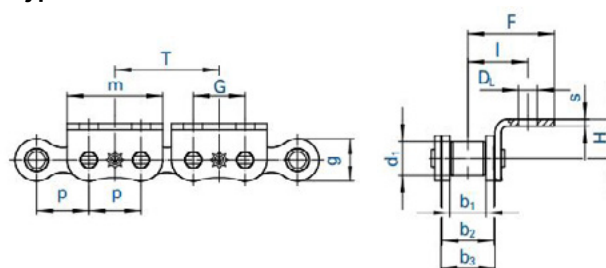
10B1

Item no [JENS S]	M, [mm]	DL, [mm]	G, [mm]	IF, [mm]	HF, [mm]	s, [mm]	Execution
10B1-D2	28,5	5,5	15,9	17,2	26,7	1,7	Rivet link
10B1-D2F	28,5	5,5	15,9	17,2	26,7	1,7	Spring clip link
10B1-E2	28,5	5,5	15,9	17,2	26,7	1,7	Rivet link
10B1-E2F	28,5	5,5	15,9	17,2	26,7	1,7	Spring clip link

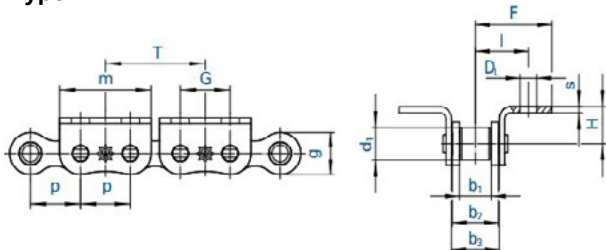
16B1

Item no [JENS S]	M, [mm]	DL, [mm]	G, [mm]	IF, [mm]	HF, [mm]	s, [mm]	Execution
16B1-D2	25	9	25,4	28,6	41,5	3	Rivet link
16B1-D2F	25	9	25,4	28,6	41,5	3	Spring clip link
16B1-E2	25	9	25,4	28,6	41,5	3	Rivet link
16B1-E2F	25	9	25,4	28,6	41,5	3	Spring clip link

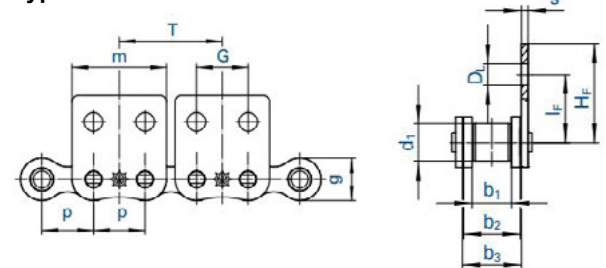
Type A2



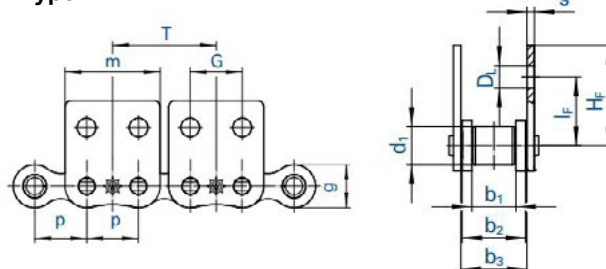
Type B2



Type D2

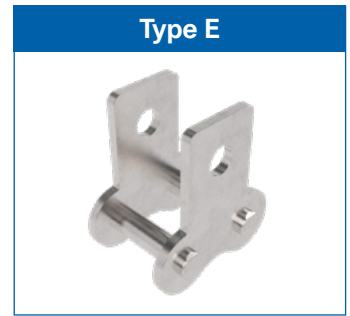
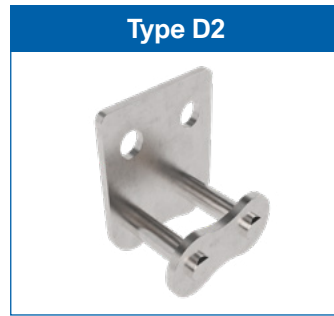
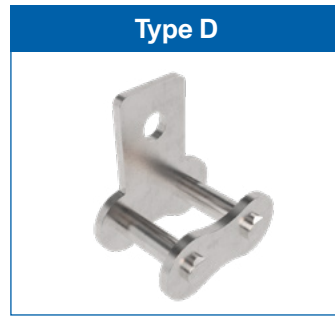
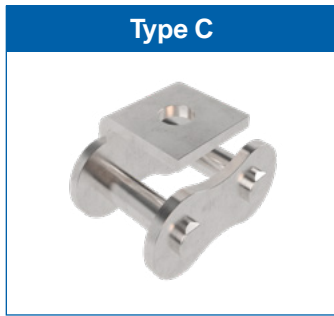
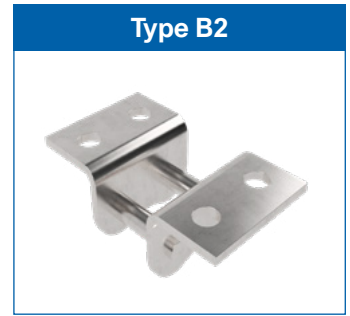
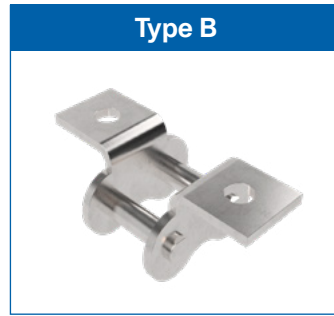
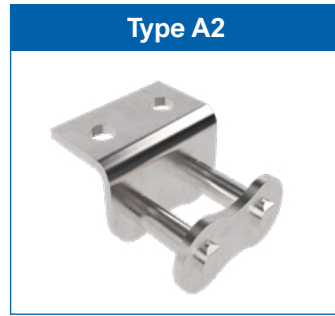
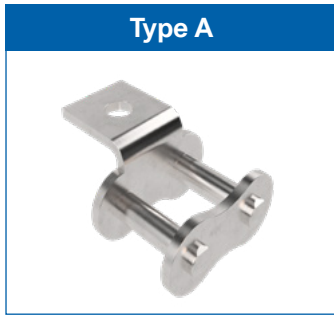


Type E2



Attachments stainless steel

According to ISO 606 and work standard



For chain							
ISO standard size	Pitch p, [inch]	Pitch p, [mm]	b1, min [mm]	b2, max [mm]	b3, min [mm]	d1, max [mm]	g, max [mm]
06B1	3/8"	9,525	5,72	8,53	8,66	6,35	8,2
08B1	1/2"	12,7	7,75	11,30	11,43	8,51	11,8
10B1	5/8"	15,875	9,65	13,28	13,41	10,16	14,7
12B1	3/4"	19,05	11,68	15,62	15,75	12,07	16,1
16B1	1"	25,4	17,02	25,40	25,6	15,88	21

08B1

Item no [JENS S]	M, [mm]	DL, [mm]	l, [mm]	F, [mm]	H, [mm]	s, [mm]	Execution
08B1SS-A	12,5	4,5	13,1	19	10	1,6	Rivet link
08B1SS-AF	12,5	4,5	13,1	19	10	1,6	Spring clip link
08B1SS-B	12,5	4,5	13,1	19	10	1,6	Rivet link
08B1SS-BF	12,5	4,5	13,1	19	10	1,6	Spring clip link

10B1

Item no [JENS S]	M, [mm]	DL, [mm]	l, [mm]	F, [mm]	H, [mm]	s, [mm]	Execution
10B1SS-A	15	5,5	16,7	27	10	1,7	Rivet link
10B1SS-AF	15	5,5	16,7	27	10	1,7	Spring clip link
10B1SS-B	15	5,5	16,7	27	10	1,7	Rivet link
10B1SS-BF	15	5,5	16,7	27	10	1,7	Spring clip link

12B1

Item no [JENS S]	M, [mm]	DL, [mm]	l, [mm]	F, [mm]	H, [mm]	s, [mm]	Execution
12B1SS-A	18,5	6,6	18,6	29	11	1,8	Rivet link
12B1SS-AF	18,5	6,6	18,6	29	11	1,8	Spring clip link
12B1SS-B	18,5	6,6	18,6	29	11	1,8	Rivet link
12B1SS-BF	18,5	6,6	18,6	29	11	1,8	Spring clip link

16B1

Item no [JENS S]	M, [mm]	DL, [mm]	l, [mm]	F, [mm]	H, [mm]	s, [mm]	Execution
16B1SS-A	25	9	28,9	41,8	18	3	Rivet link
16B1SS-AF	25	9	28,9	41,8	18	3	Spring clip link
16B1SS-B	25	9	28,9	41,8	18	3	Rivet link
16B1SS-BF	25	9	28,9	41,8	18	3	Spring clip link

08B1

Item no [JENS S]	M, [mm]	DL, [mm]	IF, [mm]	HF, [mm]	s, [mm]	DZ (h9), [mm]	LZ, [mm]	FZ, [mm]	Execution
08B1SS-D	12,5	4,5	14,7	20,3	1,6				Rivet link
08B1SS-DF	12,5	4,5	14,7	20,3	1,6				Spring clip link
08B1SS-E	12,5	4,5	14,7	20,3	1,6				Rivet link
08B1SS-EF	12,5	4,5	14,7	20,3	1,6				Spring clip link
08B1SS-F	12,5	4,5				6	15	22,4	Rivet link
08B1SS-FF	12,5	4,5				6	15	22,4	Spring clip link

10B1

Item no [JENS S]	M, [mm]	DL, [mm]	IF, [mm]	HF, [mm]	s, [mm]	DZ (h9), [mm]	LZ, [mm]	FZ, [mm]	Execution
10B1SS-D	15	5,5	17,2	26,7	1,7				Rivet link
10B1SS-DF	15	5,5	17,2	26,7	1,7				Spring clip link
10B1SS-E	15	5,5	17,2	26,7	1,7				Rivet link
10B1SS-EF	15	5,5	17,2	26,7	1,7				Spring clip link
10B1SS-F	15	5,5				6,5	20	28,5	Rivet link
10B1SS-FF	15	5,5				6,5	20	28,5	Spring clip link

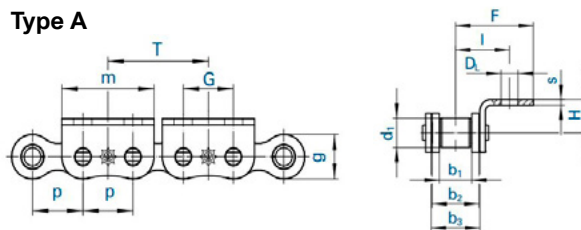
12B1

Item no [JENS S]	M, [mm]	DL, [mm]	IF, [mm]	HF, [mm]	s, [mm]	DZ (h9), [mm]	LZ, [mm]	FZ, [mm]	Execution
12B1SS-D	18,5	6,6	18,7	29	1,8				Rivet link
12B1SS-DF	18,5	6,6	18,7	29	1,8				Spring clip link
12B1SS-E	18,5	6,6	18,7	29	1,8				Rivet link
12B1SS-EF	18,5	6,6	18,7	29	1,8				Spring clip link
12B1SS-F	18,5	6,6				7	20	29,8	Rivet link
12B1SS-FF	18,5	6,6				7	20	29,8	Spring clip link

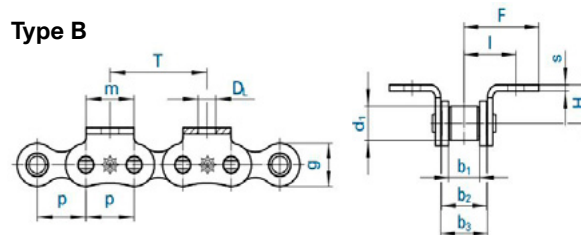
16B1

Item no [JENS S]	M, [mm]	DL, [mm]	IF, [mm]	HF, [mm]	s, [mm]	DZ (h9), [mm]	LZ, [mm]	FZ, [mm]	Execution
16B1SS-D	25	9	28,6	41,5	3				Rivet link
16B1SS-DF	25	9	28,6	41,5	3				Spring clip link
16B1SS-E	25	9	28,6	41,5	3				Rivet link
16B1SS-EF	25	9	28,6	41,5	3				Spring clip link
16B1SS-F	25	9				10	30	45,9	Rivet link
16B1SS-FF	25	9				10	30	45,9	Spring clip link

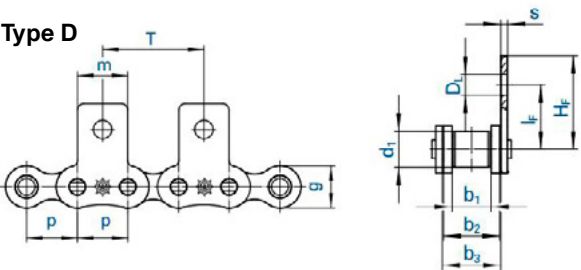
Type A



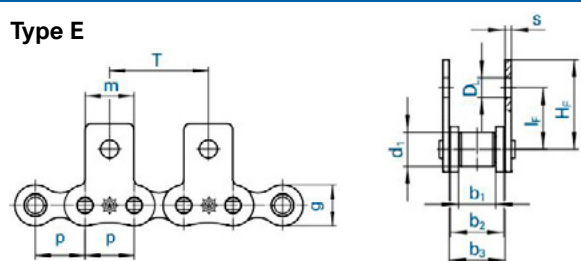
Type B



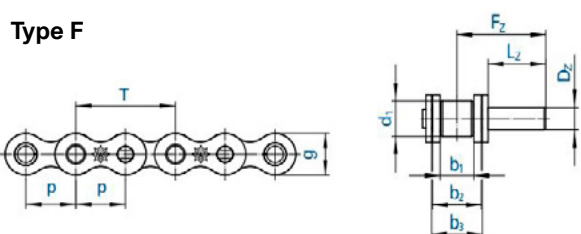
Type D



Type E



Type F



08B1

Item no [JENS S]	M, [mm]	DL, [mm]	G, [mm]	I, [mm]	F, [mm]	H, [mm]	s, [mm]	Execution
08B1SS-A2	23,2	4,5	12,7	13,1	19	10	1,6	Rivet link
08B1SS-A2F	23,2	4,5	12,7	13,1	19	10	1,6	Spring clip link
08B1SS-B2	23,2	4,5	12,7	13,1	19	10	1,6	Rivet link
08B1SS-B2F	23,2	4,5	12,7	13,1	19	10	1,6	Spring clip link

10B1

Item no [JENS S]	M, [mm]	DL, [mm]	G, [mm]	I, [mm]	F, [mm]	H, [mm]	s, [mm]	Execution
10B1SS-A2	28,5	5,5	15,9	16,7	27	10	1,7	Rivet link
10B1SS-A2F	28,5	5,5	15,9	16,7	27	10	1,7	Spring clip link
10B1SS-B2	28,5	5,5	15,9	16,7	27	10	1,7	Rivet link
10B1SS-B2F	28,5	5,5	15,9	16,7	27	10	1,7	Spring clip link

12B1

Item no [JENS S]	M, [mm]	DL, [mm]	G, [mm]	I, [mm]	F, [mm]	H, [mm]	s, [mm]	Execution
12B1SS-A2	34,8	6,6	19,1	18,6	29	11	1,8	Rivet link
12B1SS-A2F	34,8	6,6	19,1	18,6	29	11	1,8	Spring clip link
12B1SS-B2	34,8	6,6	19,1	18,6	29	11	1,8	Rivet link
12B1SS-B2F	34,8	6,6	19,1	18,6	29	11	1,8	Spring clip link

16B1

Item no [JENS S]	M, [mm]	DL, [mm]	G, [mm]	I, [mm]	F, [mm]	H, [mm]	s, [mm]	Execution
16B1SS-A2	46,5	9	25,4	28,9	42	18	3	Rivet link
16B1SS-A2F	46,5	9	25,4	28,9	42	18	3	Spring clip link
16B1SS-B2	46,5	9	25,4	28,9	42	18	3	Rivet link
16B1SS-B2F	46,5	9	25,4	28,9	42	18	3	Spring clip link

08B1

Item no [JENS S]	M, [mm]	DL, [mm]	G, [mm]	IF, [mm]	HF, [mm]	s, [mm]	Execution
08B1SS-D2	23,2	4,5	12,7	14,7	20,3	1,6	Rivet link
08B1SS-D2F	23,2	4,5	12,7	14,7	20,3	1,6	Spring clip link
08B1SS-E2	23,2	4,5	12,7	14,7	20,3	1,6	Rivet link
08B1SS-E2F	23,2	4,5	12,7	14,7	20,3	1,6	Spring clip link

10B1

Item no [JENS S]	M, [mm]	DL, [mm]	G, [mm]	IF, [mm]	HF, [mm]	s, [mm]	Execution
10B1SS-D2	28,5	5,5	15,9	17,2	26,7	1,7	Rivet link
10B1SS-D2F	28,5	5,5	15,9	17,2	26,7	1,7	Spring clip link
10B1SS-E2	28,5	5,5	15,9	17,2	26,7	1,7	Rivet link
10B1SS-E2F	28,5	5,5	15,9	17,2	26,7	1,7	Spring clip link

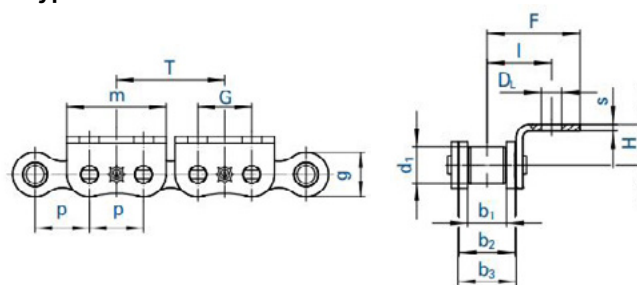
12B1

Item no [JENS S]	M, [mm]	DL, [mm]	G, [mm]	IF, [mm]	HF, [mm]	s, [mm]	Execution
12B1SS-D2	34,8	6,6	19,1	18,7	29	1,8	Rivet link
12B1SS-D2F	34,8	6,6	19,1	18,7	29	1,8	Spring clip link
12B1SS-E2	34,8	6,6	19,1	18,7	29	1,8	Rivet link
12B1SS-E2F	34,8	6,6	19,1	18,7	29	1,8	Spring clip link

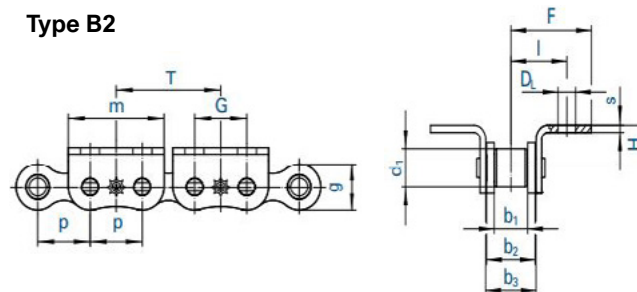
16B1

Item no [JENS S]	M, [mm]	DL, [mm]	G, [mm]	IF, [mm]	HF, [mm]	s, [mm]	Execution
16B1SS-D2	25	9	25,4	28,6	41,5	3	Rivet link
16B1SS-D2F	25	9	25,4	28,6	41,5	3	Spring clip link
16B1SS-E2	25	9	25,4	28,6	41,5	3	Rivet link
16B1SS-E2F	25	9	25,4	28,6	41,5	3	Spring clip link

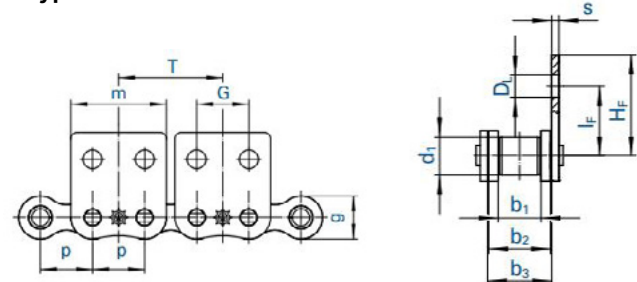
Type A2



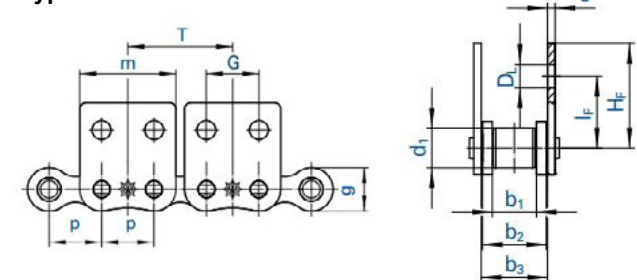
Type B2

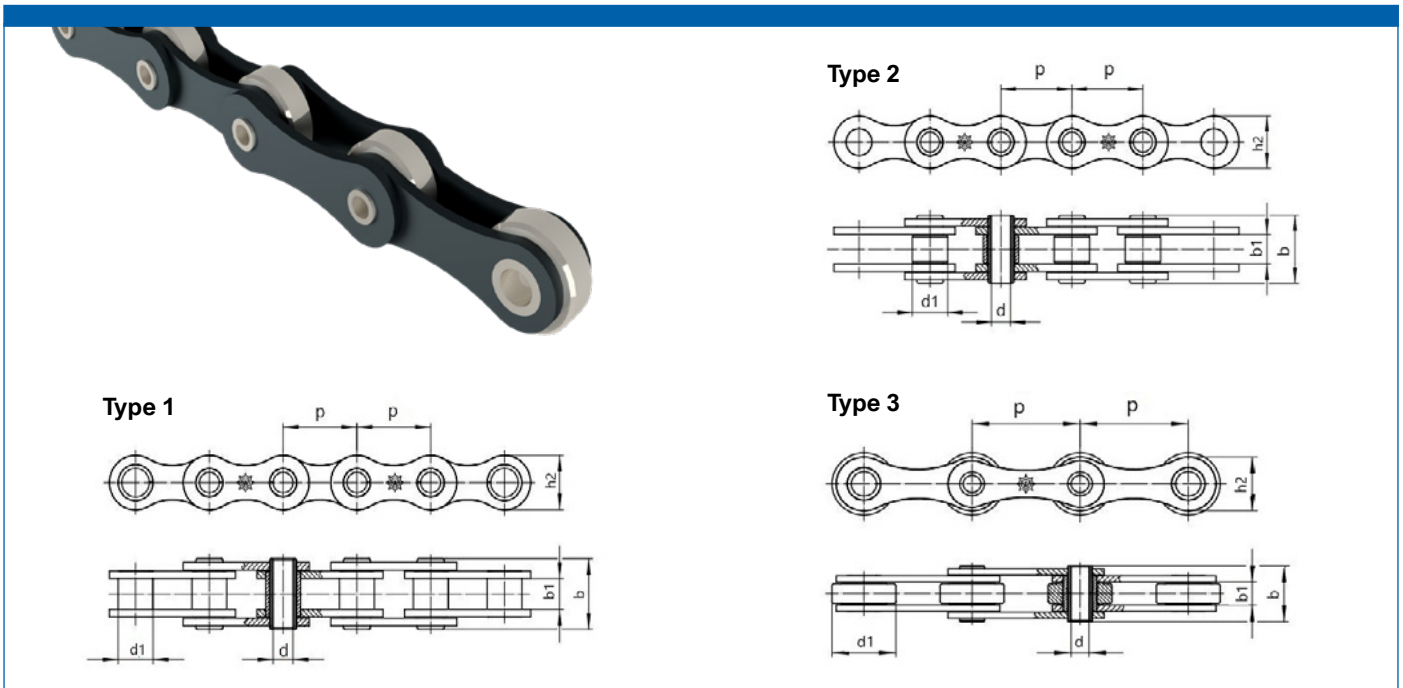


Type D2



Type E2





Chain design	Material	Corrosion resistant	Surface treatment	Maintenance free	Lubrication
Simplex	Steel	No	No treatment	No	Yes

Simplex													
Item no [Jens S]	Pitch, p [inch]	Pitch, p [mm]	b1 min [mm]	d1 max [mm]	Hollow pin bore, d [+0,1] [mm]	Hollow pin width, b [mm]	Plate height max, h2 [mm]	Breaking load supplier min. [kN]	Bearing area [cm ²]	Straight side plates	Type of chain	Weight [kg/m]	Connecting Link
HBK0833	1/2"	12,700	3,3	7,75	4,20	10,20	10,50	10	0,14	No	2. Without roller	0,34	7
HBK0877	1/2"	12,700	7,75	8,51	4,00	17,00	12,20	10	0,68	No	1. Without bush	0,65	7
HBK0895	1/2"	12,700	9,50	8,51	4,00	19,00	11,80	14	0,20	No	2. Without roller	0,68	7
HBK1065	5/8"	15,875	6,50	10,16	5,00	17,00	14,70	15	0,28	No	2. Without roller	0,74	7
HBK1095	5/8"	15,875	9,50	10,16	5,00	20,00	14,70	15	0,28	No	2. Without roller	0,83	7
HBK1211	3/4"	19,050	11,70	12,07	5,00	22,50	16,10	25	0,30	No	2. Without roller	1,07	7
HBK2415	1 1/2"	38,100	15,20	18,00	10,20	34,50	28,00	45	2,28	No	1. Without bush	2,62	7
HBK500H		50,000	15,00	26,00	14,40	35,60	40,00	100	4,20	Yes	1. Without bush	4,10	7
HBK508	2"	50,800	11,00	30,00	8,20	27,00	26,00	50	1,94	No	3. With roller	2,15	7

Stainless Simplex													
Item no [Jens S]	Pitch, p [inch]	Pitch, p [mm]	b1 min [mm]	d1 max [mm]	Hollow pin bore, d [+0,1] [mm]	Hollow pin width, b [mm]	Plate height max, h2 [mm]	Breaking load supplier min. [kN]	Bearing area [cm ²]	Straight side plates	Type of chain	Weight [kg/m]	Connecting Link
HBK508SS	2"	50,800	11,00	30,00	8,20	27,00	26,00	32	1,94	No	3. With roller	2,15	7

Connecting links: According to ISO



-7
Outer link (to be riveted)

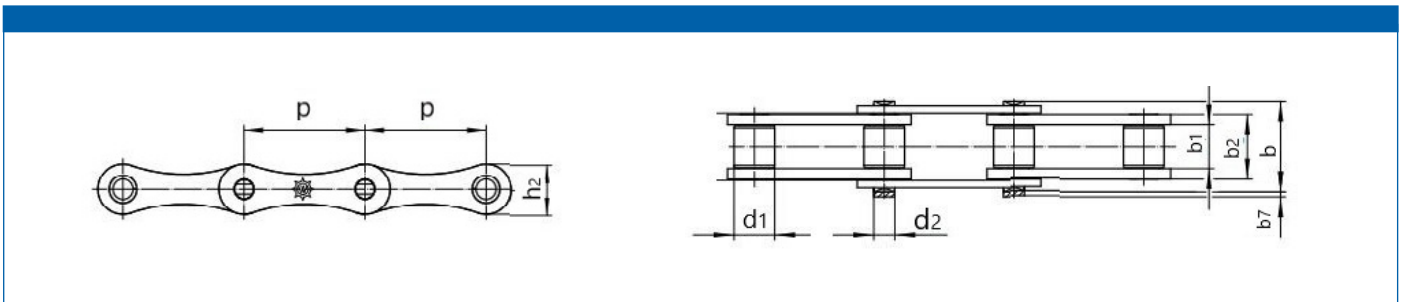
Double pitch roller chain

According to ISO 1275



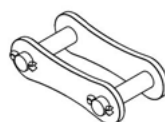
Our double pitch roller chains are available in pitch sizes 1" - 2 1/2". This chain is also available in maintenance free Marathon performance

Chain design	Material	Corrosion resistant	Surface treatment	Maintenance free	Lubrication
Simplex	Steel	No	No treatment	No	Yes



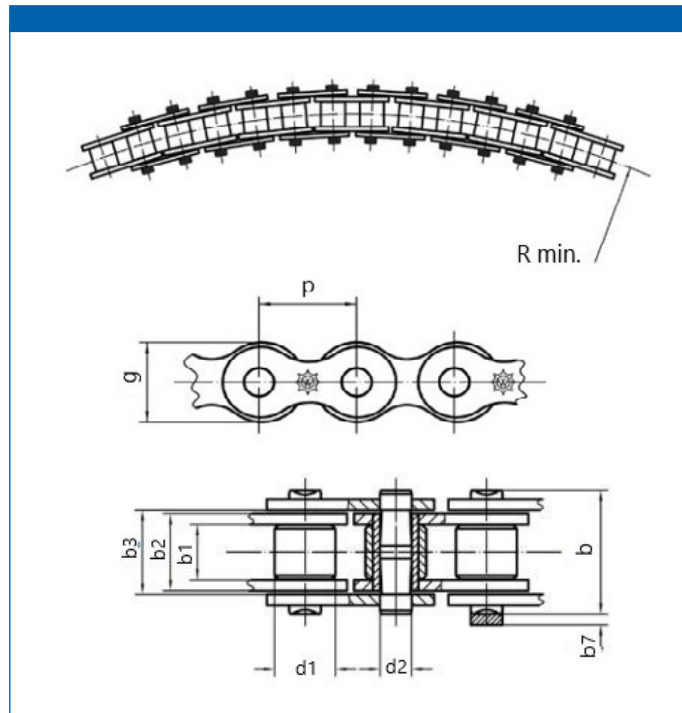
Simplex													
Jens S. Item no	Pitch, p [mm]	Pitch, p [inch]	b1 min. [mm]	b2 max. [mm]	d1 max [mm]	d2 max [mm]	h2 max. [mm]	b max. [mm]	b7 max. [mm]	Bearing area [cm ²]	Breaking load ISO min. [kn]	Weight [kg/m]	Connecting links
208B	25,4	1"	7,75	11,3	8,51	4,45	11,8	17	3,9	0,5	18	0,46	11,12
210B	31,75	1 1/4"	9,65	13,28	10,16	5,08	14,7	19,6	4,1	0,67	22,4	0,57	111,12
212B	38,1	1 1/2"	11,68	15,62	12,07	5,72	16,1	22,7	4,6	0,89	29	0,75	111,12
216B	50,8	2"	17,02	25,4	15,88	8,28	21	36,1	5,4	2,1	60	1,74	111,12
220B	63,5	2 1/2"	19,56	29	19,05	10,19	28,5	43,2	6,1	2,96	95	2,55	111,12

Connecting links: According to ISO



-111

Connecting link with cottered pin



The main dimensions of the side bow chain is according to ISO606. This chain have modified joints employed on conveying applications. You can find both ASA and European standard available in stock.

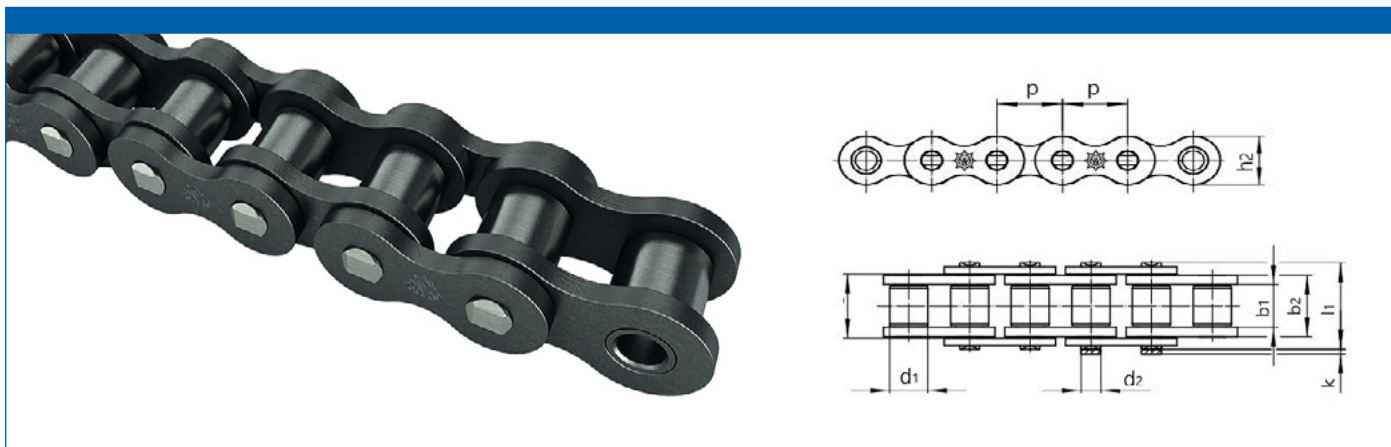
Chain design	Material	Corrosion resistant	Surface treatment	Maintenance free	Lubrication
Simplex	Steel	No	No treatment	No	Yes

Simplex																
Item no Jens S.	Chain ISO	Pitch, p [inch]	Pitch, p [mm]	b1 min. [mm]	b2 max. [mm]	b3 max. [mm]	d1 max. [mm]	d2 max. [mm]	h2 max. [mm]	b max. [mm]	b7 max. [mm]	Bearing area [cm ²]	Breaking load supplier min. [kN]	Smallest possible side bow radius r, min. [mm]	Weight [kg/m]	Connecting link
12A1SB*	12A-1	3/4"	19,05	13	17,7	22,7	11,91	5,08	15,9	29,1	-	0,89	28	400	1,6	7,11
16B1SBP	16B-1	1"	25,4	17,02	25,4	27,2	15,88	8,28	21,08	36,1	5,4	2,1	60	500	2,71	11

* With straight inner plate

Heavy duty roller chain

American standard according to ISO 606



Our heavy duty design roller chains have reinforced side plates and treated pin. This roller chain has reinforced side plates and

enlarged bearing areas. In this case chains may only have 80% for the tensile strength.

Chain design	Material	Corrosion resistant	Surface treatment	Maintenance free	Lubrication
Simplex	Steel	No	No treatment	No	Yes

Type H															
Item No JENS S.	ISO standard size	Pitch, p [inch]	Pitch, p [mm]	b1 min. [mm]	b2 max. [mm]	d1 max. [mm]	d2 max. [mm]	h2 max. [mm]	b7 max. [mm]	b max. [mm]	Bearing area [cm ²]	Breaking load ISO min. [kN]	Breaking load supplier min. [kN]	Weight [kg/m]	Connecting Links
10A1HV	50H-1	5/8"	15,875	9,4	14,6	10,16	5,08	15	4,1	23,4	0,75	22,2	32	1,18	11
12A1HV	60H-1	3/4"	19,05	12,57	19,45	11,91	5,94	18	4,6	29,9	1,16	31,8	42	1,94	7,11
16A1HV	80H-1	1"	25,4	15,75	24,28	15,88	7,92	24,1	5,4	37	1,92	56,7	72	3,04	7,111
20A1HV	100H-1	1 1/4"	31,75	18,9	29,1	19,05	9,53	30,1	6,1	44	2,77	88,5	96	4,25	7,111
24A1HV	120H-1	1 1/2"	38,1	25,22	37	22,23	11,1	36,2	6,6	54	4,13	127	141	6,4	111
28A1HV	140H-1	1 3/4"	44,45	25,22	38,7	25,4	12,7	42,2	7,4	58	4,94	172,4	180	8,3	111
32A1HV	160H-1	2"	50,8	31,55	46,9	28,58	14,27	48,2	7,9	68	6,7	226,8	233	11,5	111

Dismountable designs (with cottered/split pins -111) are available on request

Type HX														
Item no Jens S.	Pitch, p [inch]	Pitch, p [mm]	b1 min. [mm]	b2 max. [mm]	d1 max. [mm]	d2 max. [mm]	h2 max. [mm]	b7 max. [mm]	b max. [mm]	Bearing area [cm ²]	Breaking load supplier min. [kN]	Weight [kg/m]	Connecting Link	
50HX	5/8"	15,875	9,40	14,60	10,16	5,08	15,00	4,10	23,40	0,75	33,4	1,18	7,11	
60HX	3/4"	19,050	12,57	19,45	11,91	5,94	18,00	4,60	28,90	1,16	50,0	1,94	7,11	
80HX	1"	25,400	15,75	24,28	15,88	7,92	24,10	5,4	37,00	1,92	75,6	3,04	7,111	

Type HX with reinforced plates and pins made of quenched and tempered steel

Connecting links: According to ISO



-7
Outer link (to be riveted)



-11
Spring clip - Connecting link



-111
Connecting link with cottered pin

Roller chains - European standard Witra

American standard according to ISO 606



Witra, a German-controlled chain of industrial quality. They are always delivered pre-stretched and lubricated. Our chain design

are simplex, duplex and triplex and they are available in sizes from 041-48B3.

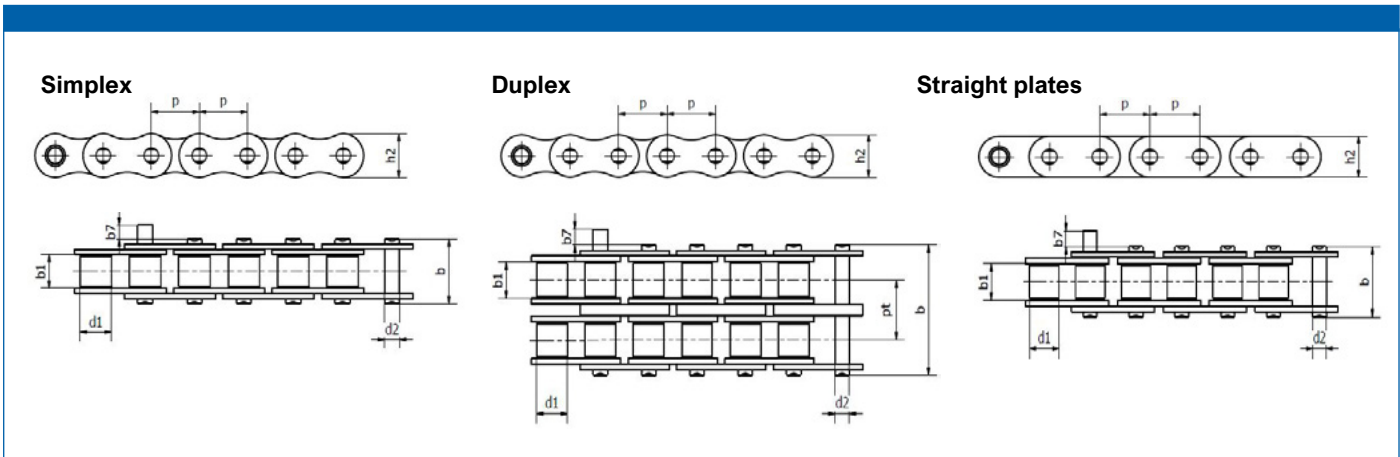
Chain design	Material	Corrosion resistant	Surface treatment	Maintenance free	Lubrication
Simplex	Steel	No	No treatment	No	Yes
Duplex	Steel	No	No treatment	No	Yes
Triplex	Steel	No	No treatment	No	Yes

Comparison of articles

Simplex			
Wippermann	Witra	Protorque	Protorque +
031W			
041W	041	04B1P	
05B1W	05B1	05B1P	
06B1W	06B1	06B1P	
331W	081	081P	
17W	083	083P	
08B1RSW	08B1RS	08B1GLP	
08B1W	08B1	08B1P	
18W			
10B1RSW	10B1RS	10B1GLP	
10B1W	10B1	10B1P	10B1P+
12B1RSW	12B1RS	12B1GLP	
12B1W	12B1	12B1P	12B1P+
16B1RSW	16B1RS	16B1GLP	
16B1RSW21	16B1RS21	16B1GL21P	
16B1W	16B1	16B1P	16B1P+
20B1RSW	20B1RS	20B1GLP	
20B1W	20B1	20B1P	
24B1RSW		24B1GLP	
24B1W	24B1	24B1P	
		28B1GLP	
28B1W	28B1	28B1P	
32B1W	32B1	32B1P	
40B1W		40B1P	
48B1W		48B1P	

Duplex			
Wippermann	Witra	Protorque	Protorque +
05B2W			
06B2W	06B2	06B2P	
		08B2GLP	
08B2W	08B2	08B2P	08B2P+
	10B2RS	10B2GLP	
10B2W	10B2	10B2P	
12B2RSW		12B2GLP	
12B2W	12B2	12B2P	12B2P+
16B2RSW21			
16B2RSW	16B2RS	16B2GLP	
16B2W	16B2	16B2P	16B2P+
20B2W	20B2	20B2P	
24B2W	24B2	24B2P	
24B2RSW			
28B2W		28B2P	
32B2W	32B2	32B2P	
40B2W		40B2P	
48B2W		48B2P	

Triplex		
Wippermann	Witra	Protorque
05B3W		
06B3W	06B3	06B3P
08B3W	08B3	08B3P
		08B3GLP
10B3W	10B3	10B3P
12B3W	12B3	12B3P
16B3W	16B3	16B3P
20B3W	20B3	20B3P
24B3W	24B3	24B3P
28B3W	32B3	28B3P
32B3W	48B3	32B3P
40B3W		40B3P
48B3W		48B3P



Simplex

Item No [JENS S]	ISO standard size	Pitch, p [Inch]	Pitch, p [mm]	b1 min [mm]	d1 max [mm]	d2 max [mm]	h2 max [mm]	b max [mm]	b7 max [mm]	Bearing area [cm ²]	Breaking load ISO minimum [kN]	Weight [kg/m]	Straight side plates	Connecting Link
041	04	-	6,000	2,80	4,00	1,85	5,10	7,40	2,90	0,08	3,0	0,11	No	11
05B1	05B-1	-	8,000	3,00	5,00	2,31	7,10	8,60	3,10	0,11	5,0	0,18	No	7,11
06B1	06B-1	3/8"	9,525	5,72	6,35	3,28	8,20	13,50	3,30	0,28	9,0	0,39	No	7,11,12
081	081	1/2"	12,700	3,30	7,75	3,66	9,90	10,20	1,50	0,21	8,2	0,28	No	11,12
083	083	1/2"	12,700	4,88	7,75	4,09	10,30	12,90	1,50	0,32	12,0	0,42	No	11,12
084	084	1/2"	12,700	4,88	7,75	4,09	11,10	11,50	1,50	0,36	16,0	0,59	No	11
08B1	08B-1	1/2"	12,700	7,75	8,51	4,45	11,80	17,00	3,90	0,50	18,0	0,68	No	7,11,11,12
08B1RS	08B-1	1/2"	12,700	7,75	8,51	4,45	11,80	17,00	3,90	0,50	18,0	0,68	Yes	7,11,12
10B1	10B-1	5/8"	15,875	9,65	10,16	5,08	14,70	19,60	4,10	0,67	22,4	0,91	No	7,11,11,12
10B1RS	10B-1	5/8"	15,875	9,65	10,16	5,08	14,70	19,60	4,10	0,67	22,4	0,91	Yes	7,11,12
12B1	12B-1	3/4"	19,050	11,68	12,07	5,72	16,13	22,70	4,60	0,89	29,0	1,12	No	7,11,11,12
12B1RS	12B-1	3/4"	19,050	11,68	12,07	5,72	16,13	22,70	4,60	0,89	29,0	1,12	Yes	7,11,12
16B1	16B-1	1"	25,400	17,02	15,88	8,28	21,00	36,10	5,4	2,10	60,0	2,64	No	7,11,11,12,15
16B1RS	16B-1	1"	25,400	17,02	15,88	8,28	24,00	36,10	5,4	2,10	60,0	2,64	Yes	7,11,11
16B1RS21	16B-1	1"	25,400	17,02	15,88	8,28	21,00	36,10	5,4	2,10	60,0	2,64	Yes	7,11,11,12
20B1	20B-1	1 1/4"	31,750	19,56	19,05	10,19	26,40	43,20	6,1	2,96	95,0	3,68	No	7,11,11,12
20B1RS	20B-1	1 1/4"	31,750	19,56	19,05	10,19	26,40	43,20	6,1	2,96	95,0	3,68	Yes	7,11,12
24B1	24B-1	1 1/2"	38,100	25,40	25,40	14,63	33,40	53,40	6,6	5,54	160,0	7,16	No	7,11,12
28B1	28B-1	1 3/4"	44,450	30,99	27,94	15,9	37,00	65,10	7,4	7,39	200,0	7,53	No	7,11,12
32B1	32B-1	2"	50,800	30,99	29,21	17,81	42,20	67,40	7,9	8,10	250,0	9,84	No	7,11,12

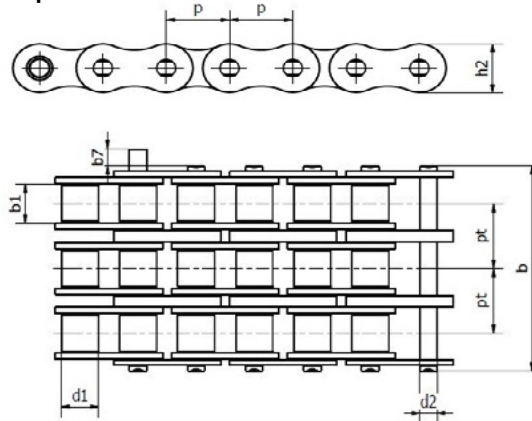
Duplex

Item No [JENS S]	ISO standard size	Pitch, p [Inch]	Pitch, p [mm]	b1 min [mm]	d1 max [mm]	d2 max [mm]	h2 max [mm]	b max [mm]	b7 max [mm]	Transverse pitch pt [mm]	Bearing area [cm ²]	Breaking load ISO minimum [kN]	Weight [kg/m]	Straight side plates	Connecting Link
06B2	06B-2	3/8"	9,525	5,72	6,35	3,28	8,20	23,80	3,30	10,24	0,56	16,9	0,74	No	7,11,12
08B2	08B-2	1/2"	12,700	7,75	8,51	4,45	11,80	31,00	3,90	13,92	1,01	32,0	1,35	No	7,11,12
10B2	10B-2	5/8"	15,875	9,65	10,16	5,08	14,70	36,20	4,10	16,59	1,34	44,5	1,79	No	7,11,11,12
10B2RS	10B-2	5/8"	15,875	9,65	10,16	5,08	14,70	36,20	4,10	16,59	1,34	44,5	1,79	Yes	11
12B2	12B-2	3/4"	19,050	11,68	12,07	5,72	16,10	42,20	4,60	19,46	1,79	57,8	2,22	No	7,11,12
16B2	16B-2	1"	25,400	17,02	15,88	8,28	21,00	68,00	5,4	31,88	4,21	106,0	5,13	No	7,11,12
16B2RS	16B-2	1"	25,400	17,02	15,88	8,28	21,00	68,00	5,4	31,88	4,21	106,0	5,13	Yes	11
20B2	20B-2	1 1/4"	31,750	19,56	19,05	10,19	26,40	79,00	6,1	36,45	5,91	170,0	7,72	No	7,11,11,12
24B2	24B-2	1 1/2"	38,100	25,40	25,40	14,63	33,40	101,40	6,6	48,36	11,09	280,0	14,15	No	7,11,12
32B2	32B-2	2"	50,800	30,99	29,21	17,81	42,20	126,00	7,9	58,55	16,21	450,0	19,68	No	7,12,11

Connecting links: According to ISO



Triplex



Triplex

Item No [JENS S]	ISO standard size	Pitch, p [Inch]	Pitch, p [mm]	b1 min [mm]	d1 max [mm]	d2 max [mm]	h2 max [mm]	b max [mm]	b7 max [mm]	Transverse pitch pt [mm]	Bearing area [cm ²]	Breaking load ISO min. [kN]	Weight [kg/m]	Straight side plates	Connecting Link
06B3	06B-3	3/8"	9,525	5,72	6,35	3,28	8,20	34,00	3,30	10,24	0,81	23,6	1,10	No	7,11,12
08B3	08B-3	1/2"	12,700	7,75	8,51	4,45	11,80	44,90	3,90	13,92	1,51	47,5	2,03	No	7,11,12
10B3	10B-3	5/8"	15,875	9,65	10,16	5,08	14,70	52,80	4,10	16,59	2,02	66,7	2,68	No	7,11,12
12B3	12B-3	3/4"	19,050	11,68	12,07	5,72	16,13	61,70	4,60	19,46	2,68	86,7	3,39	No	7,11,12
16B3	16B-3	1"	25,400	17,02	15,88	8,28	21,00	99,90	5,4	31,88	6,31	160,0	7,80	No	7,11,12
20B3	20B-3	1 1/4"	31,750	19,56	19,05	10,19	26,40	116,00	6,1	36,45	8,87	250,0	11,53	No	7,111,12
24B3	24B-3	1 1/2"	38,100	25,40	25,40	14,63	33,40	150,00	6,6	48,36	16,63	425,0	21,15	No	7,111,12
32B3	32B-3	2"	50,800	30,99	29,21	17,81	42,20	184,00	7,9	58,55	24,31	670,0	29,52	No	7,111,12
48B3	48B-3	3"	76,200	45,72	48,62	29,24	63,80	281,00	10	91,21	61,84	1500,0	71,07	No	111

Item no. example

Chain: 08B1
 Rivet link (nitlänk): 08B1-7
 Spring clip connecting link: 08B1-11
 connecting link with cotted pin: 24B1-111
 Single cranked link with cotted pin: 08B1-12

Straight connecting link including to 20B are delivered with feather.
 From 24B, the chain is always delivered with connecting link with cotted pin.

Connecting links: According to ISO



-7
Outer link (to be riveted)



-11
Spring clip - Connecting link



-12
Single cranked link



-111
Connecting link with cotted pin



A cost-effective and reliable chain according to ISO606. See the different types and find the solution that best suits your application.

Standard roller chain

A functional chain that can be used for many different industrial applications and is often used in industries such as materials handling and the wood industry.

Chain in stainless steel

The best solution when you need reliable performance in harsh environments or when there is contact with sensitive materials. Choose nickel-plated when maximum strength and relatively good rust protection are required, choose galvanized when maximum strength and better rust protection are needed, or choose stainless steel design when protection against rust is to be optimal.

Protorque plus roller chain

Protorque PLUS is suitable for more demanding applications and the perfect solution for applications in hoisting, transport or power transmission.

Technical features

- Temperature operating range between -10°C to +80 °C with standard lubrication.
- All Protorque roller chains are pre-loaded to secure minimal start up adjustments.
- Standard lubrication can be used on all chains and for common types of applications, directly out of the box
- Protrque chains are ISO606 - DIN 8187 - DIN 8188 and meet RoHS and REACH requirements.

Product range: roller chains

- Standard roller chains 04B1-48B3 in steel and stainless steel
- Selected sizes in nickel or zinc plated execution
- Roller chains with straight side plates 08B1-24B1 in steel
- ASA roller chains 25-240 simplex in steel



This is a fit-for-function chain suitable for a broad range of industrial applications and is often used in all different industries like material handling and wood industries. The standard roller chain are available in sizes 04B1-48B3, with straight plates in sizes 08B1-24B1.

Technical features

- Temperature range between -10°C to +80 °C with standard lubrication.
- Pre-loaded to secure minimal start up adjustments.
- Standard lubrication can be used on all chains used for common types of applications, directly out of the box

Chain design	Material	Corrosion resistant	Surface treatment	Maintenance free	Lubrication
Simplex	Steel	No	No treatment	No	Yes
Duplex	Steel	No	No treatment	No	Yes
Triplex	Steel	No	No treatment	No	Yes

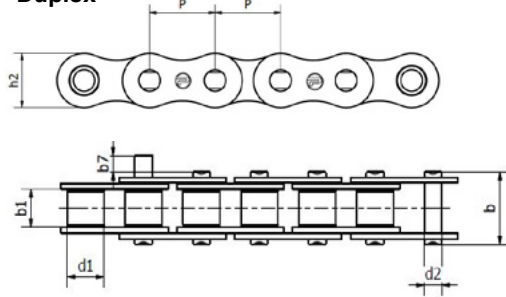
Comparison of articles

Simplex			
Wipac	Witac	Protorque	Protorque +
031W			
041W	041	04B1P	
05B1W	05B1	05B1P	
06B1W	06B1	06B1P	
331W	081	081P	
17W	083	083P	
08B1RSW	08B1RS	08B1GLP	
08B1W	08B1	08B1P	
18W			
10B1RSW	10B1RS	10B1GLP	
10B1W	10B1	10B1P	10B1P+
12B1RSW	12B1RS	12B1GLP	
12B1W	12B1	12B1P	12B1P+
16B1RSW	16B1RS	16B1GLP	
16B1RSW21	16B1RS21	16B1GL21P	
16B1W	16B1	16B1P	16B1P+
20B1RSW	20B1RS	20B1GLP	
20B1W	20B1	20B1P	
24B1RSW		24B1GLP	
24B1W	24B1	24B1P	
		28B1GLP	
28B1W	28B1	28B1P	
32B1W	32B1	32B1P	
40B1W		40B1P	
48B1W		48B1P	

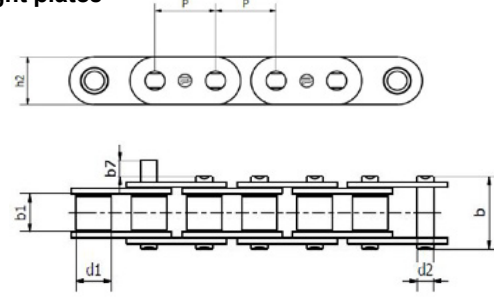
Duplex			
Wipac	Witac	Protorque	Protorque +
05B2W			
06B2W	06B2	06B2P	
		08B2GLP	
08B2W	08B2	08B2P	08B2P+
	10B2RS	10B2GLP	
10B2W	10B2	10B2P	
12B2RSW		12B2GLP	
12B2W	12B2	12B2P	12B2P+
16B2RSW21			
16B2RSW	16B2RS	16B2GLP	
16B2W	16B2	16B2P	16B2P+
20B2W	20B2	20B2P	
24B2W	24B2	24B2P	
24B2RSW			
28B2W		28B2P	
32B2W	32B2	32B2P	
40B2W		40B2P	
48B2W		48B2P	

Triplex		
Wipac	Witac	Protorque
05B3W		
06B3W	06B3	06B3P
08B3W	08B3	08B3P
		08B3GLP
10B3W	10B3	10B3P
12B3W	12B3	12B3P
16B3W	16B3	16B3P
20B3W	20B3	20B3P
24B3W	24B3	24B3P
28B3W	32B3	28B3P
32B3W	48B3	32B3P
40B3W		40B3P
48B3W		48B3P

Duplex



Straight plates



Simplex

Item no [Jens S]	ISO standard size	Pitch, p [inch]	Pitch, p [mm]	d1 max [mm]	b1 min [mm]	d2 max [mm]	b max [mm]	h2 max [mm]	b7 max [mm]	Breaking load ISO min. [kN]	Breaking load supplier min. [kN]	Transverse pitch pt [mm]	Weight [kg/m]	Straight side plates	Connecting Link
04B1P	04B-1	-	6	4	2,8	1,85	6,8	5	1	-	3	-	0,11	No	11
05B1P	05B-1	-	8	5	3	2,31	8,6	7,1	3,1	4,4	5	5,64	0,2	No	11,15
06B1P	06B-1	3/8"	9,525	6,35	5,72	3,28	13,5	8,26	3,3	8,9	9	10,24	0,41	No	11
081P	081	1/2"	12,7	7,75	3,3	3,66	10,2	9,9	1,5	8	8	-	0,28	No	11
083P	083	1/2"	12,7	7,75	4,88	4,14	12,9	10,3	1,5	11,6	11,6	-	0,42	No	11
08B1GLP	08B-1	1/2"	12,7	8,51	7,75	4,45	17	11,81	3,9	17,8	18	13,92	0,69	Yes	11
08B1P	08B-1	1/2"	12,7	8,51	7,75	4,45	17	11,81	3,9	17,8	18	13,92	0,69	No	7,11,12,15
08B1P-50M	08B-1	1/2"	12,7	8,51	7,75	4,45	17	11,81	3,9	17,8	18	13,92	0,69	No	7,11,12,15
10B1GLP	10B-1	5/8"	15,875	10,16	9,65	5,08	19,6	14,73	4,1	22,2	22,4	16,59	0,93	Yes	11
10B1P	10B-1	5/8"	15,875	10,16	9,65	5,08	19,6	14,73	4,1	22,2	22,4	16,59	0,93	No	7,11,111,12,15
10B1P-50M	10B-1	5/8"	15,875	10,16	9,65	5,08	19,6	14,73	4,1	22,2	22,4	16,59	0,93	No	7,11,111,12,15
12B1GLP	12B-1	3/4"	19,05	12,07	11,68	5,72	22,7	16,13	4,6	28,9	29	19,46	1,15	Yes	11,111
12B1HFP	12B-1	3/4"	19,05	12,07	11,68	5,72	22,7	16,13	4,6	28,9	29	19,46	1,15	No	11,111,12
12B1HFP-40M	12B-1	3/4"	19,05	12,07	11,68	5,72	22,7	16,13	4,6	28,9	29	19,46	1,15	No	11,111,12
12B1P	12B-1	3/4"	19,05	12,07	11,68	5,72	22,7	16,13	4,6	28,9	29	19,46	1,15	No	7,11,111,12,15
12B1P-40M	12B-1	3/4"	19,05	12,07	11,68	5,72	22,7	16,13	4,6	28,9	29	19,46	1,15	No	7,11,111,12,15
16B11170P	16B-1	1"	25,4	15,88	17,02	8,28	36,1	21,08	5,4	60	60	31,88	2,71	No	111
16B11172P	16B-1	1"	25,4	15,88	17,02	8,28	36,1	21,08	5,4	60	60	31,88	2,71	No	111
16B1GL21P	16B-1	1"	25,4	15,88	17,02	8,28	36,1	21,08	5,4	60	60	31,88	2,71	Yes	11,111
16B1GLP	16B-1	1"	25,4	15,88	17,02	8,28	36,1	21,08	5,4	60	60	31,88	2,71	Yes	11,111
16B1GLP-50M	16B-1	1"	25,4	15,88	17,02	8,28	36,1	21,08	5,4	60	60	31,88	2,71	Yes	11,111
16B1HFP	16B-1	1"	25,4	15,88	17,02	8,28	36,1	21,08	5,4	60	60	31,88	2,71	No	11,111,12
16B1P	16B-1	1"	25,4	15,88	17,02	8,28	36,1	21,08	5,4	60	60	31,88	2,71	No	7,11,111,12,15
16B1P-50M	16B-1	1"	25,4	15,88	17,02	8,28	36,1	21,08	5,4	60	60	31,88	2,71	No	7,11,111,12,15
20B1GLP	20B-1	1 1/4"	31,75	19,05	19,56	10,19	43,2	26,42	6,1	95	95	36,45	3,7	Yes	11,111
20B1P	20B-1	1 1/4"	31,75	19,05	19,56	10,19	43,2	26,42	6,1	95	95	36,45	3,7	No	11,111,12
24B1GLP	24B-1	1 1/2"	38,1	25,4	25,4	14,63	53,4	33,4	6,6	160	160	48,36	7,1	Yes	111
24B1P	24B-1	1 1/2"	38,1	25,4	25,4	14,63	53,4	33,4	6,6	160	160	48,36	7,1	No	111,12
28B1GLP	28B-1	1 3/4"	44,45	27,94	30,99	15,9	65,1	37,08	7,4	200	200	59,56	8,5	Yes	11
28B1P	28B-1	1 3/4"	44,45	27,94	30,99	15,9	65,1	37,08	7,4	200	200	59,56	8,5	No	111,12
32B1P	32B-1	2"	50,8	29,21	30,99	17,81	67,4	42,29	7,9	250	250	58,55	10,25	No	111,12
40B1P	40B-1	2 1/2"	63,5	39,37	38,1	22,89	82,6	52,96	10,2	355	355	72,29	16,35	No	111
48B1P	48B-1	3"	76,2	48,26	45,72	29,24	82,6	63,88	10,2	560	560	72,29	25	No	111
P30P	-	-	30	15,88	17,02	8,28	35,6	20	3,1	-	60	-	2,35	No	11,12

Connecting links: According to ISO



-7
Outer link (to be riveted)



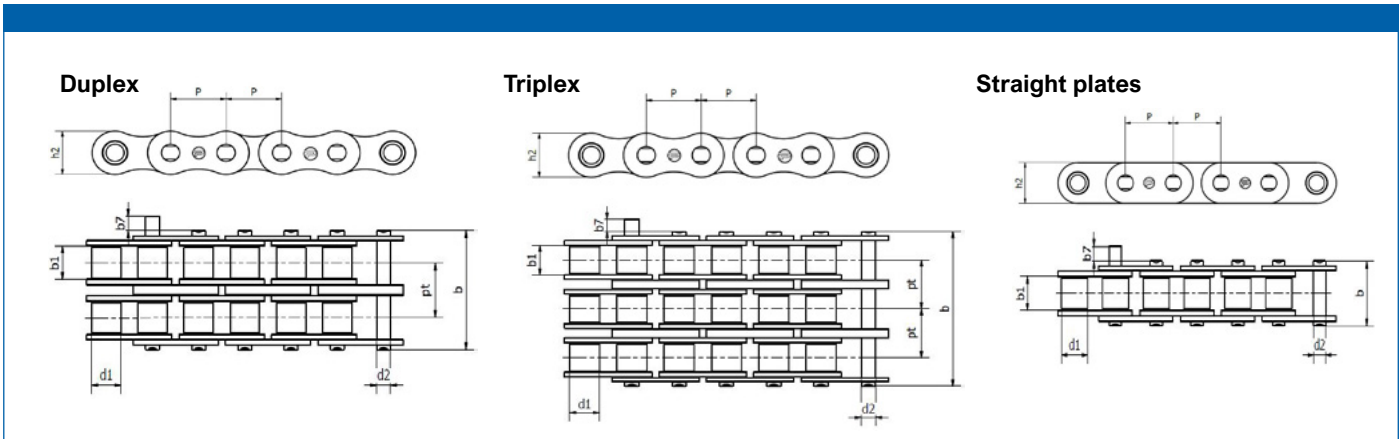
-11
Spring clip - Connecting link



-12
Single cranked link



-111
Connecting link with cotted pin



Duplex																
Item no [Jens S]	ISO standard size	Pitch, p [inch]	Pitch, p [mm]	d1 max [mm]	b1 min [mm]	d2 max [mm]	b max [mm]	h2 max [mm]	b7 max [mm]	Breaking load ISO min. [kN]	Breaking load supplier min. [kN]	Transverse pitch pt [mm]	Weight [kg/m]	Straight side plates	Connecting Link	
06B2P	06B-2	3/8"	9,525	6,35	5,72	3,28	23,8	8,26	3,3	16,9	16,9	10,24	0,77	No	11	
08B2GLP	08B-2	1/2"	12,7	8,51	7,75	4,45	31	11,81	3,9	31,1	32	13,92	1,34	Yes	11	
08B2P	08B-2	1/2"	12,7	8,51	7,75	4,45	31	11,81	3,9	31,1	32	13,92	1,34	No	11,12	
08B2P-50M	08B-2	1/2"	12,7	8,51	7,75	4,45	31	11,81	3,9	31,1	32	13,92	1,34	No	11,12	
10B2GLP	10B-2	5/8"	15,875	10,16	9,65	5,08	36,2	14,73	4,1	44,5	44,5	16,59	1,84	Yes	11	
10B2GLP-30M	10B-2	5/8"	15,875	10,16	9,65	5,08	36,2	14,73	4,1	44,5	44,5	16,59	1,84	Yes	11	
10B2P	10B-2	5/8"	15,875	10,16	9,65	5,08	36,2	14,73	4,1	44,5	44,5	16,59	1,84	No	11,12	
10B2P-30M	10B-2	5/8"	15,875	10,16	9,65	5,08	36,2	14,73	4,1	44,5	44,5	16,59	1,84	No	11,12	
10B2P-50M	10B-2	5/8"	15,875	10,16	9,65	5,08	36,2	14,73	4,1	44,5	44,5	16,59	1,84	No	11,12	
12B2GLP	12B-2	3/4"	19,05	12,07	11,68	5,72	42,2	16,13	4,6	57,8	57,8	19,46	2,31	Yes	11	
12B2P	12B-2	3/4"	19,05	12,07	11,68	5,72	42,2	16,13	4,6	57,8	57,8	19,46	2,31	No	11,111	
16B21172P	16B-2	1"	25,4	15,88	17,02	8,28	68	21,08	5,4	106	106	31,88	5,42	No	111	
16B2GL21P	16B-2	1"	25,4	15,88	17,02	8,28	68	21,08	5,4	106	106	31,88	5,42	Yes	111	
16B2GLP	16B-2	1"	25,4	15,88	17,02	8,28	68	21,08	5,4	106	106	31,88	5,42	Yes	111	
16B2P	16B-2	1"	25,4	15,88	17,02	8,28	68	21,08	5,4	106	106	31,88	5,42	No	11,111,12	
20B2P	20B-2	1 1/4"	31,75	19,05	19,56	10,19	79,7	26,42	6,1	170	170	36,45	7,2	No	111,12	
24B2P	24B-2	1 1/2"	38,1	25,4	25,4	14,63	101,8	33,4	6,6	280	280	48,36	13,4	No	111,12	
28B2P	28B-2	1 3/4"	44,45	27,94	30,99	15,9	124,7	37,08	7,4	360	360	59,56	16,6	No	111,12	
32B2P	32B-2	2"	50,8	29,21	30,99	17,81	126	42,29	7,9	450	450	58,55	21	No	111	
40B2P	40B-2	2 1/2"	63,5	39,37	38,1	22,89	154,9	52,96	10,2	630	630	72,29	32	No	111	
48B2P	48B-2	3"	76,2	48,26	45,72	29,24	190,4	63,88	10,5	1000	1000	91,21	50	No	111	

Triplex																
Item no [Jens S]	ISO standard size	Pitch, p [inch]	Pitch, p [mm]	d1 max [mm]	b1 min [mm]	d2 max [mm]	b max [mm]	h2 max [mm]	b7 max [mm]	Breaking load ISO min. [kN]	Breaking load supplier min. [kN]	Transverse pitch pt [mm]	Weight [kg/m]	Straight side plates	Connecting Link	
06B3P	06B-3	3/8"	9,525	6,35	5,72	3,28	34	8,26	3,3	24,9	24,9	10,24	1,16	No	11	
08B3GLP	08B-3	1/2"	12,7	8,51	7,75	4,45	44,9	11,81	3,9	44,5	47,5	13,92	2,03	Yes	11	
08B3P	08B-3	1/2"	12,7	8,51	7,75	4,45	44,9	11,81	3,9	44,5	47,5	13,92	2,03	No	11	
10B3P	10B-3	5/8"	15,875	10,16	9,65	5,08	52,8	14,73	4,1	66,7	66,7	16,59	2,77	No	11	
12B3P	12B-3	3/4"	19,05	12,07	11,68	5,72	61,7	16,13	4,6	86,7	87,6	19,46	3,46	No	11,111	
16B3P	16B-3	1"	25,4	15,88	17,02	8,28	99,9	21,08	5,4	60	160	31,88	8,13	No	11,111	
20B3P	20B-3	1 1/4"	31,75	19,05	19,56	10,19	116,1	26,42	6,1	250	250	36,45	10,82	No	111	
24B3P	24B-3	1 1/2"	38,1	25,4	25,4	14,63	150,2	33,4	6,6	425	425	48,36	20,1	No	111,12	
28B3P	28B-3	1 3/4"	44,45	27,94	30,99	15,9	184,3	37,08	7,4	530	530	59,56	24,92	No	111	
32B3P	32B-3	2"	50,8	29,21	30,99	17,81	184,5	42,29	7,9	670	670	58,55	31,56	No	111	
40B3P	40B-3	2 1/2"	63,5	39,37	38,1	22,89	227,2	52,96	10,2	950	950	72,29	48,1	No	111	
48B3P	48B-3	3"	76,2	48,26	45,72	29,24	281,6	63,88	10,5	1500	1500	91,21	75	No	111	

Connecting links: According to ISO



-11
Spring clip - Connecting link



-12
Single cranked link



-111
Connecting link with cotted pin

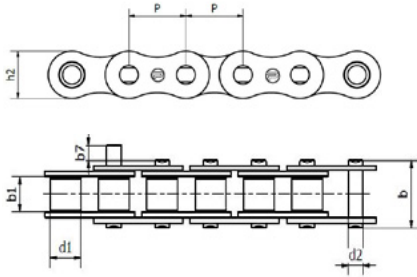


The best solution when you need reliable performance in harsh environments or when there is contact with sensitive materials.

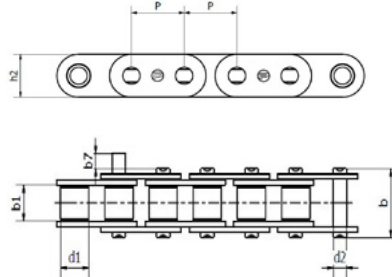
Choose stainless steel design when protection against rust must be optimal. Available in sizes 06B1-16B2.

Chain design	Material	Corrosion resistant	Surface treatment	Maintenance free	Lubrication
Simplex	Stainless steel	No	No treatment	No	Yes
Duplex	Stainless steel	No	No treatment	No	Yes

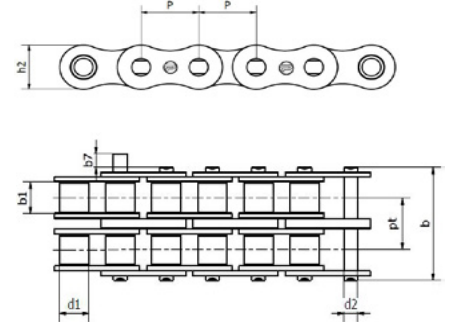
Simplex



Straight plates



Duplex



Simplex

Item no [Jens S]	ISO standard size	Pitch, p [inch]	Pitch, p [mm]	d1 max [mm]	b1 min [mm]	d2 max [mm]	b max [mm]	h2 max [mm]	b7 max [mm]	Breaking load supplier minimum [kN]	Transverse pitch pt [mm]	Weight [kg/m]	Straight side plates	Connecting Link
06B1SSP	06B-1	3/8"	9,525	6,35	5,72	3,28	13,5	8,26	3,3	6,2	10,24	0,41	yes	11,12
08B1SSP	08B-1	1/2"	12,7	8,51	7,75	4,45	17	11,81	3,9	12	13,92	0,7	No	11,12
10B1SSP	10B-1	5/8"	15,875	10,16	9,65	5,08	19,6	14,73	4,1	14,5	16,59	0,94	No	11,12
12B1SSP	12B-1	3/4"	19,05	12,07	11,68	5,72	22,7	16,13	4,6	18,5	19,46	1,16	No	11,12
16B1GL21SSP	16B-1	1"	25,4	15,88	17,02	8,28	36,1	21,08	5,4	40	31,88	2,73	Yes	11
16B1SSP	16B-1	1"	25,4	15,88	17,02	8,28	36,1	21,08	5,4	40	31,88	2,73	No	11,12

Duplex

Item no [Jens S]	ISO standard size	Pitch, p [inch]	Pitch, p [mm]	d1 max [mm]	b1 min [mm]	d2 max [mm]	b max [mm]	h2 max [mm]	b7 max [mm]	Breaking load supplier minimum [kN]	Transverse pitch pt [mm]	Weight [kg/m]	Straight side plates	Connecting Link
08B2SSP	08B-2	1/2"	12,7	8,51	7,75	4,45	31	11,81	3,9	21	13,92	1,4	No	11
10B2SSP	10B-1	5/8"	15,875	10,16	9,65	5,08	19,6	14,73	4,1	14,5	16,59	0,94	No	11
16B2SSP	16B-1	1"	25,4	15,88	17,02	8,28	36,1	21,08	5,4	40	31,88	2,73	No	11,12

Item no. example

Chain: 08B1SSP

Rivet link (nitlänk): 08B1SSP-7

Spring clip connecting link: 08B1SSP-11

Single cranked link with cotted pin: 08B1SSP-12

Connecting links: According to ISO



-7

Outer link (to be riveted)



-11

Spring clip - Connecting link



-12

Single cranked link

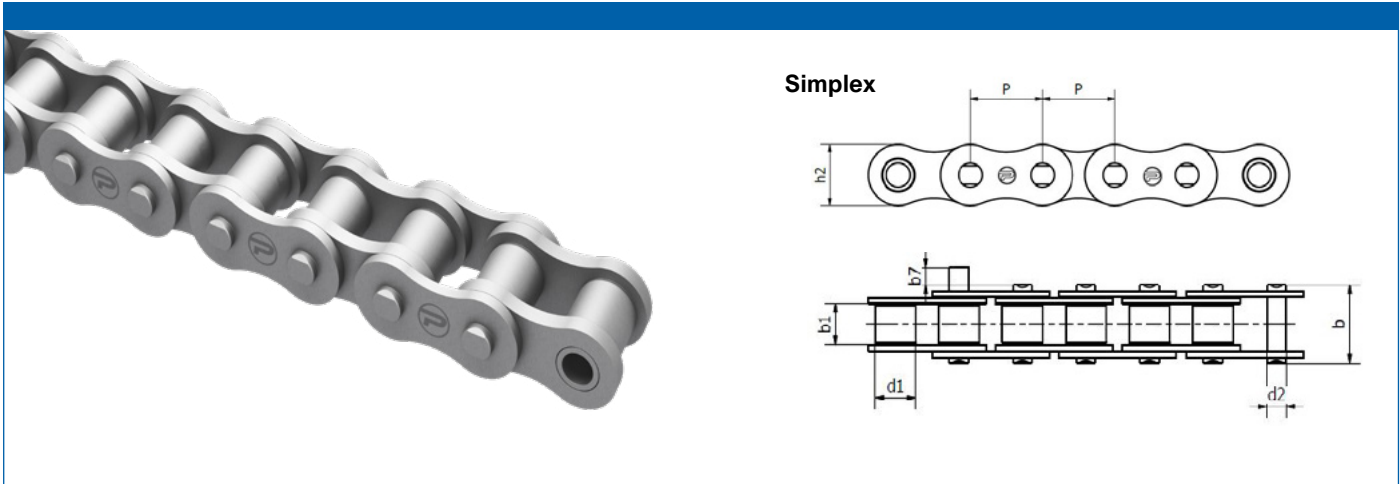


-111

Connecting link with cotted pin

Protorque Roller chains - Zinc plated

According to ISO 606



Corrosion resistant roller chains are your best option when you need reliable performance in tough environments, or contact with sensitive materials. Choose zinc plated when maximum

strength and better rust protection are needed. Available sizes are 08B1 - 24B1.

Chain design	Material	Corrosion resistant	Surface treatment	Maintenance free	Lubrication
Simplex	Steel	Yes	Zinc plated	No	Yes
Duplex	Steel	Yes	Zinc plated	No	Yes

Simplex																
Item no Jens S.	ISO standard size	Pitch, p [inch]	Pitch, p [mm]	d1 max [mm]	b1 min [mm]	d2 max [mm]	b max [mm]	h2 max [mm]	b7 max [mm]	Breaking load ISO min. [kN]	Breaking load supplier min. [kN]	Transverse pitch pt [mm]	Weight [kg/m]	Straight side plates	Connecting link	
08B1ZP	08B-1	1/2"	12,7	8,51	7,75	4,45	17	11,81	3,9	17,8	18	13,92	0,69	No	11	
10B1ZP	10B-1	5/8"	15,875	10,16	9,65	5,08	19,6	14,73	4,1	22,2	22,4	16,59	0,93	No	11	
12B1ZP	12B-1	3/4"	19,05	12,07	11,68	5,72	22,7	16,13	4,6	28,9	29	19,46	1,15	No	11	
16B1ZP	16B-1	1"	25,4	15,88	17,02	8,28	36,1	21,08	5,4	60	60	31,88	2,71	No	11,111	
20B1ZP	20B-1	1 1/4"	31,75	19,05	19,56	10,19	43,2	26,42	6,1	95	95	36,45	3,7	No	11,12	
24B1ZP	24B-1	1 1/2"	38,1	25,4	25,4	14,63	53,4	33,4	6,6	160	160	48,36	7,1	No	111	

Item no. example

Chain: 10B1ZP

Spring clip connecting link: 10B1ZP-11

Connecting link with cotted pin 16B1ZP-111

Single cranked link with cotted pin: 20B1SSP-12

Connecting links: According to ISO



-11

Spring clip - Connecting link



-12

Single cranked link

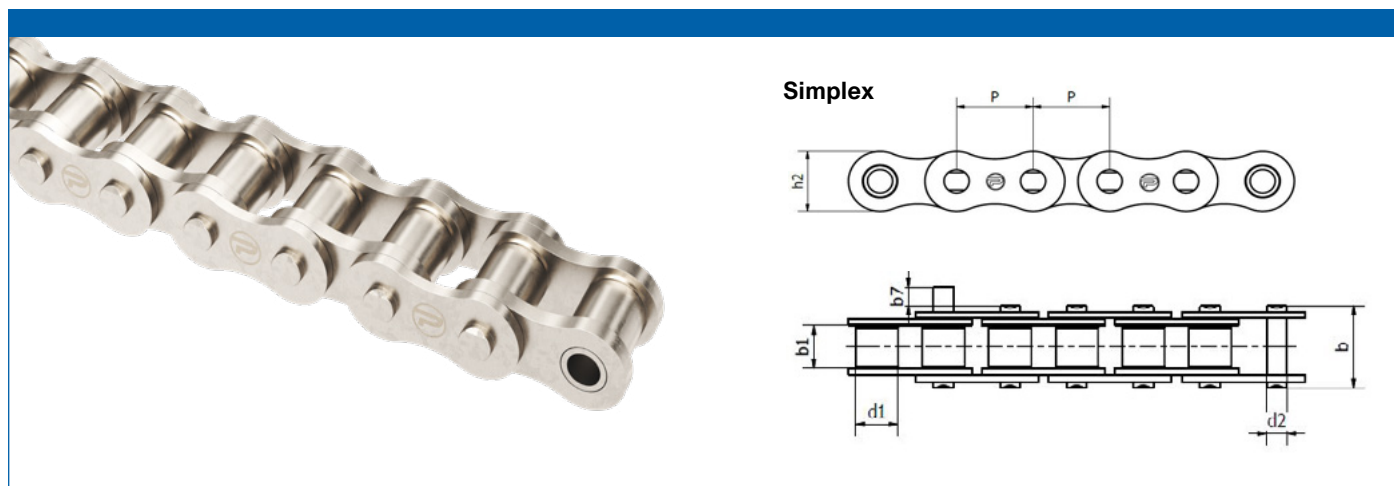


-111

Connecting link with cotted pin

Protorque Roller chains - Nickel plated

According to ISO 606



The best solution when you need reliable performance in harsh environments or when there is contact with sensitive materials. Choose nickel-plated when maximum strength and

relatively good rust protection are required. Available in sizes 08B1 - 28B1.

Chain design	Material	Corrosion resistant	Surface treatment	Maintenance free	Lubrication
Simplex	Steel	Yes	Nickel plated	No	Yes
Duplex	Steel	Yes	Nickel plated	No	Yes

Simplex																
Item no Jens S.	ISO standard size	Pitch, p [inch]	Pitch, p [mm]	d1 max [mm]	b1 min [mm]	d2 max [mm]	b max [mm]	h2 max [mm]	b7 max [mm]	Breaking load ISO min. [kN]	Breaking load supplier min. [kN]	Transverse pitch pt [mm]	Weight [kg/m]	Straight side plates	Connecting link	
08B1NP	08B-1	1/2"	12,7	8,51	7,75	4,45	17	11,81	3,9	17,8	18	13,92	0,69	No	11	
10B1NP	10B-1	5/8"	15,875	10,16	9,65	5,08	19,6	14,73	4,1	22,2	22,4	16,59	0,93	No	11	
12B1NP	12B-1	3/4"	19,05	12,07	11,68	5,72	22,7	16,13	4,6	28,9	29	19,46	1,15	No	11	
16B1NP	16B-1	1"	25,4	15,88	17,02	8,28	36,1	21,08	5,4	60	60	31,88	2,71	No	11	
20B1NP	20B-1	1 1/4"	31,75	19,05	19,56	10,19	43,2	26,42	6,1	95	95	36,45	3,7	No	11	
24B1NP	24B-1	1 1/2"	38,1	25,4	25,4	14,63	53,4	33,4	6,6	160	160	48,36	7,1	No	111	
28B1NP	28B-1	1 3/4"	44,45	27,94	30,99	15,9	65,1	37,08	7,4	200	200	59,56	8,5	No	111	

Connecting links: According to ISO



-11
Spring clip - Connecting link



-111
Connecting link with cotted pin

Protorque + Roller chains - Standard

According to ISO 606



Protorque PLUS is suitable for more demanding applications and the perfect solution for applications in hoisting, transport or power transmission.

Available in simplex and duplex 08B-1 - 16B-2.

Technical features

- Temperature operating range between -10°C to +80 °C with standard lubrication.
- All Protorque roller chains are pre-loaded to secure minimal start up adjustments.
- Standard lubrication can be used on all chains used for common types of applications, directly out of the box
- Protrque chains are ISO606 - DIN 8187 - DIN 8188 and meet RoHS and REACH requirements.

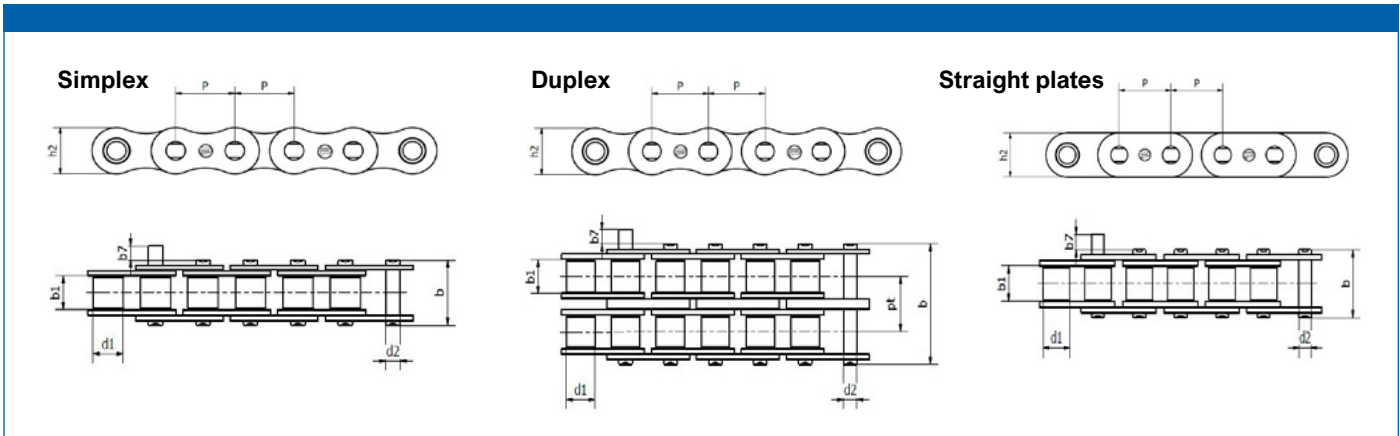
Chain design	Material	Corrosion resistant	Surface treatment	Maintenance free	Lubrication
Simplex	Steel	No	No treatment	No	Yes
Duplex	Steel	No	No treatment	No	Yes

Protorque + Stainless steel



Your best option when you need reliable performance in tough environments or when in contact with sensitive materials.
Available in simplex.

Chain design	Material	Corrosion resistant	Surface treatment	Maintenance free	Lubrication
Simplex	Stainless	No	No treatment	No	Yes



Simplex																
Item no [Jens S]	ISO standard size	Pitch, p [inch]	Pitch, p [mm]	d1 max [mm]	b1 min [mm]	d2 max [mm]	b max [mm]	h2 max [mm]	b7 max [mm]	Breaking load ISO min. [kN]	Breaking load supplier min. [kN]	Transverse pitch pt [mm]	Weight [kg/m]	Straight side plates	Connecting Link	
10B1P+	10B-1	5/8"	15,875	10,16	9,65	5,08	19,6	14,73	4,1	22,2	22,4	16,59	0,93	No	11,111,12	
10B1P+-50M	10B-1	5/8"	15,875	10,16	9,65	5,08	19,6	14,73	4,1	22,2	22,4	16,59	0,93	No	11	
12B1P+	12B-1	3/4"	19,05	12,07	11,68	5,72	22,7	16,13	4,6	28,9	29	19,46	1,15	No	7,11,111,12	
16B1P+	16B-1	1"	25,4	15,88	17,02	8,28	36,1	21,08	5,4	60	60	31,88	2,71	No	15	

Duplex																
Item no [Jens S]	ISO standard size	Pitch, p [inch]	Pitch, p [mm]	d1 max [mm]	b1 min [mm]	d2 max [mm]	b max [mm]	h2 max [mm]	b7 max [mm]	Breaking load ISO min. [kN]	Breaking load supplier min. [kN]	Transverse pitch pt [mm]	Weight [kg/m]	Straight side plates	Connecting Link	
08B2P+	08B-2	1/2"	12,7	8,51	7,75	4,45	31	11,81	3,9	31,1	32	13,92	1,34	No	11,12	
10B2P+-50M	10B-2	5/8"	15,875	10,16	9,65	5,08	36,2	14,73	4,1	44,5	44,5	16,59	1,84	No	11	
12B2P+	12B-2	3/4"	19,05	12,07	11,68	5,72	42,2	16,13	4,6	57,8	57,8	19,46	2,31	No	11	
16B2P+	16B-2	1"	25,4	15,88	17,02	8,28	68	21,08	5,4	106	106	31,88	5,42	No	11	

Item no. example

Chain: 10B1P+
 Spring clip connecting link: 10B1P+-11
 Connecting link with cotted pin 10B1P+-111
 Siblge cranked link: 10B1P+-12

Simplex stainless steel																
Item no [Jens S]	ISO standard size	Pitch, p [inch]	Pitch, p [mm]	d1 max [mm]	b1 min [mm]	d2 max [mm]	b max [mm]	h2 max [mm]	b7 max [mm]	Breaking load supplier min. [kN]	Transverse pitch pt [mm]	Weight [kg/m]	Straight side plates	Connecting Link		
06B1SSP+	06B-1	3/8"	9,525	6,35	5,72	3,28	13,5	8,26	3,3	6,2	10,24	0,41	yes	11		

Item no. example

Spring clip connecting link: 06B1SSP+-11

Connecting links: According to ISO



-7
Outer link (to be riveted)



-11
Spring clip - Connecting link



-111
Connecting link with cotted pin



-12
Single cranked link

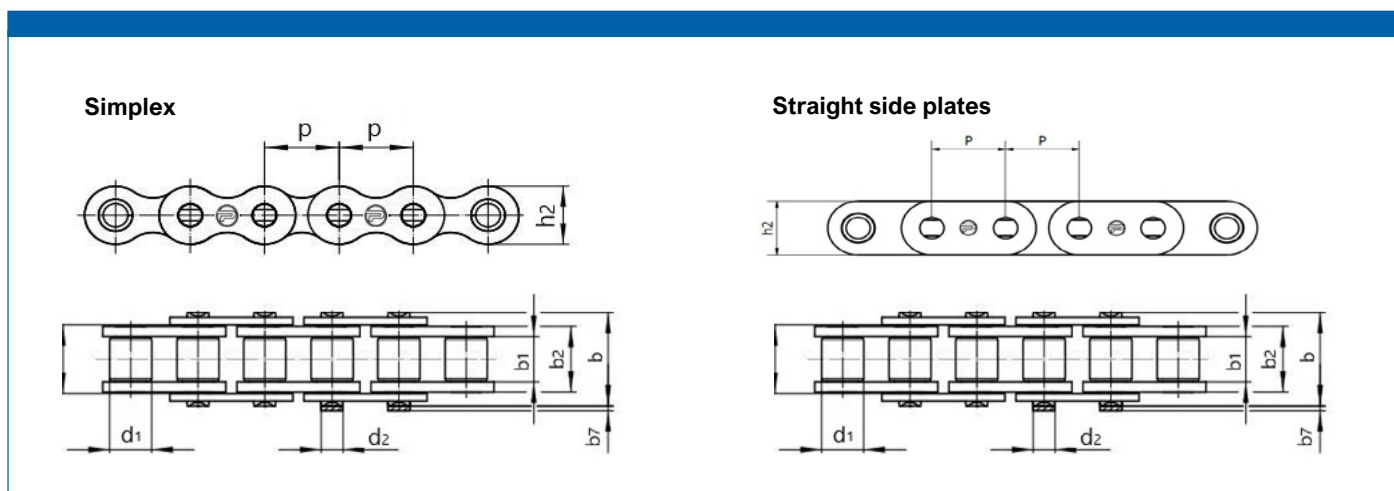
Protorque Heavy duty roller chain

American standard (ANSI)



Protorque heavy duty chains have thicker side plates and treated pins for heavy load applications. Available sizes are from 10A-1 to 32A-1

Chain design	Material	Corrosion resistant	Surface treatment	Maintenance free	Lubrication
Simplex	Steel	No	No treatment	No	Yes



Simplex													
Item No JENS S.	ISO standard size	Pitch, p [inch]	Pitch, p [mm]	b1 min. [mm]	d1 max. [mm]	d2 max. [mm]	h2 max. [mm]	b max. [mm]	b7 max. [mm]	Bearing area [cm ²]	Breaking load supplier min. [kN]	Weight [kg/m]	Straight side plates
10A1HP	50H-1	5/8"	15,875	9,4	10,16	5,08	15,09	24,4	1,3	0,75	22,2	1,25	No
12A1GLHP	60H-1	3/4"	19,05	12,57	11,91	5,94	18,2	29,2	1,8	1,16	31,8	1,87	Yes
12A1HP	60H-1	3/4"	19,05	12,57	11,91	5,94	18	29,2	1,8	1,16	31,8	1,87	No
20A1HP	100H-1	1 1/4"	31,75	18,9	19,05	9,53	30	43,6	3,3	2,77	88,5	4,52	No
24A1HP	120H-1	1 1/2"	38,1	25,22	22,23	11,1	35,7	53,5	4	4,13	127	6,6	No
28A1HP	140H-1	1 3/4"	44,45	25,22	25,4	12,7	41	57,6	4,6	4,94	172,4	8,3	No
32A1HP	160H-1	2"	50,8	31,55	28,58	14,27	47,8	68,2	4,8	6,7	226,8	10,3	No

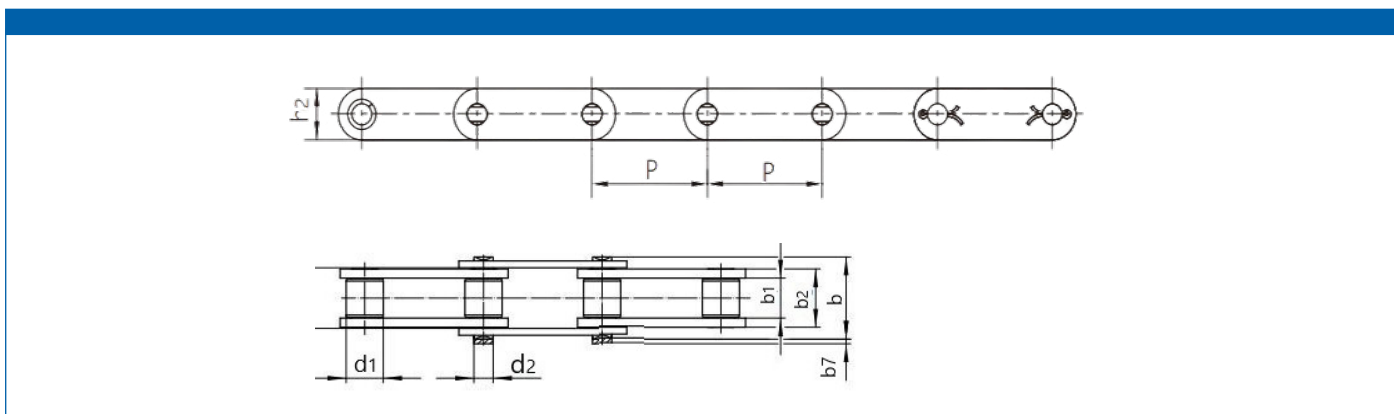
Protorque Double pitch roller chain

American standard (ANSI)



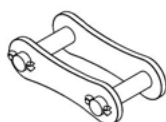
The protorque double pitch chains are economical conveying chain for light and slow moving applications. Available in ASA standard with straight side plates. Our sizes in stock are 1 1/4" - 2 1/2".

Chain design	Execution	Welded pin	Welded brush	Material
Simplex	A	No	No	Steel



Simplex												
Jens S Item No	Pitch, p [mm]	Pitch, p [inch]	b1 min. [mm]	d1 max. [mm]	d2 max. [mm]	h2 max. [mm]	b max. [mm]	b7 max. [mm]	Breaking load min. [ton]	Breaking load min. [kN]	Weight [kg/m]	Connecting link
C2050P	31,75	1 1/4"	9,53	10,16	5,08	15,1	20,4	4,1	2,65	26,5	0,8	111
C2060HP	38,1	1 1/2"	12,7	11,91	5,94	18	29,2	4,6	3,8	38	1,6	111
C2080HP	50,8	2"	15,88	15,88	7,92	22,2	36,5	5,4	6,6	66	2,4	111
C2100HP	63,5	2 1/2"	19,05	19,05	9,53	28,5	44	6,1	10,9	109	3,6	111

Connecting links: According to ISO

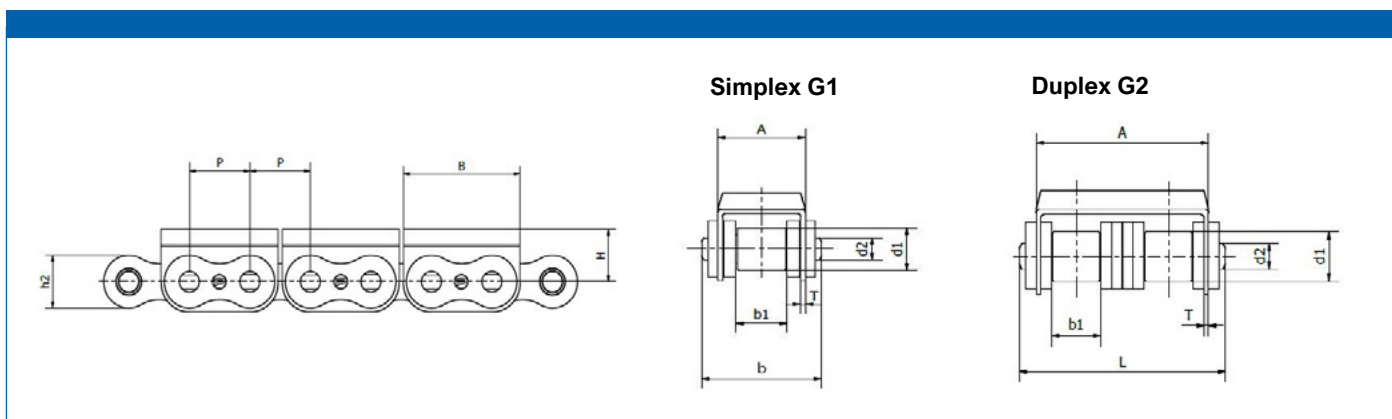


-111
Connecting link with cotted pin



These chains are available in simplex design sizes 08B-1-16B-1 and duplex design 08B-2 - 10B-2. It's unique profile with vulcanised elastomer makes this chain ideal for applications where fragile goods require gentle conveyor handling.

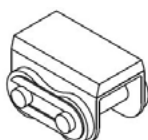
Material	Straight side plates	Corrosion resistant	Surface treatment	Maintenance free	Lubrication
Steel	No	No	No treatment	No	Yes



Simplex																		
Item no [Jens S]	ISO standard size	Pitch, p [inch]	Pitch, p [mm]	B max [mm]	b1 min [mm]	d1 max [mm]	d2 max [mm]	H max [mm]	h2 max [mm]	b max [mm]	b7 max [mm]	T max [mm]	A max [mm]	Transverse pitch pt [mm]	Bearing area, [cm ²]	Breaking load ISO min. [kN]	Breaking load suppl. min. [kN]	Weight [kg/m]
08B1G1RP+	08B-1	1/2"	12,7	24,2	7,75	8,51	4,45	12,3	11,81	17	3,9	1,6	14,6	13,92	0,5	17,8	18	0,69
10B1G1RP+	10B-1	5/8"	15,875	30	9,65	10,16	5,08	17	14,73	19,6	4,1	1,6	16,8	16,59	0,67	22,2	22,4	0,93
12B1G1RP+	12B-1	3/4"	19,05	36	11,68	12,07	5,72	21	16,13	22,7	4,6	1,85	19,6	19,46	0,89	28,9	29	1,15
16B1G1RP+	16B-1	1"	25,4	49	17,02	15,88	8,28	21,4	21,08	36,1	5,4	1,6	29,5	31,88	2,1	60	60	2,71

Duplex																		
Item no [Jens S]	ISO standard size	Pitch, p [inch]	Pitch, p [mm]	B max [mm]	b1 min [mm]	d1 max [mm]	d2 max [mm]	H max [mm]	h2 max [mm]	b max [mm]	b7 max [mm]	T max [mm]	A max [mm]	Transverse pitch pt [mm]	Bearing area, [cm ²]	Breaking load ISO min. [kN]	Breaking load suppl. min. [kN]	Weight [kg/m]
08B2G2RP+	08B-2	1/2"	12,7	24,2	7,75	8,51	4,45	12,3	11,81	31	3,9	1,5	28,4	13,92	1,01	31,1	32	1,34
10B2G2RP+	10B-2	5/8"	15,875	30	9,65	10,16	5,08	17	14,73	36,2	4,1	1,5	33,3	16,59	1,34	44,5	44,5	1,84

Connecting links: According to ISO

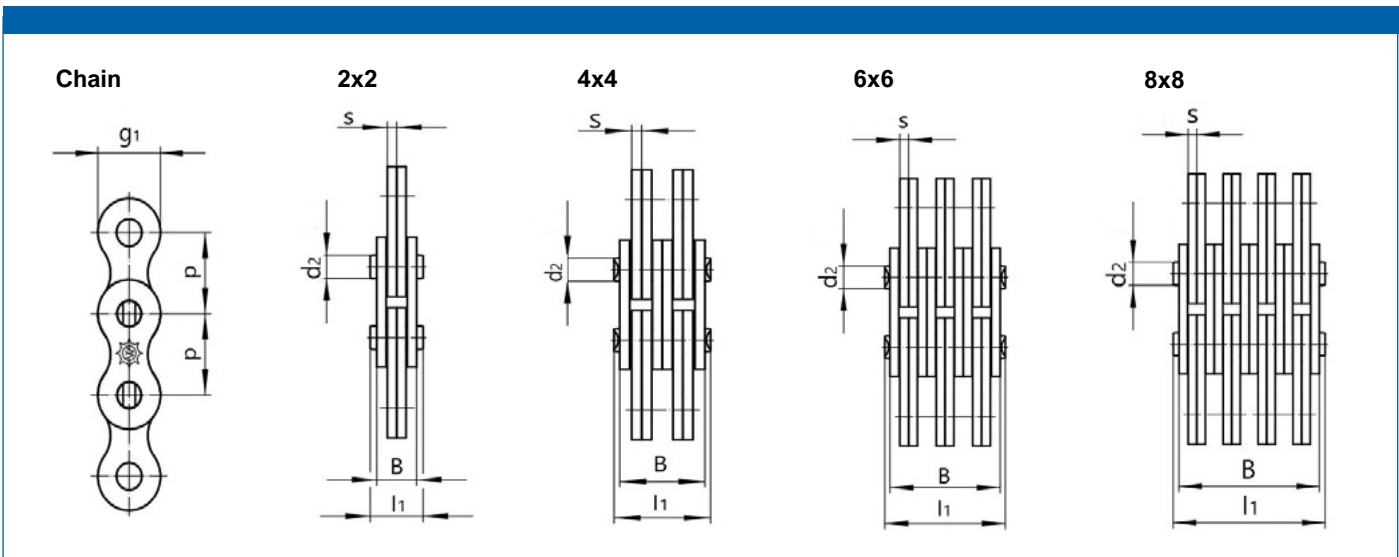


-11
Spring clip - Connecting link

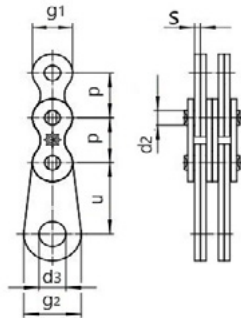
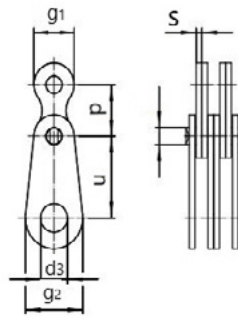
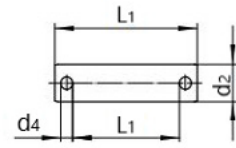


Leaf chains in normal design or reinforced design are used as load chains in cranes, hoisting gear and lifting equipment as well as for counterweights, e.g. on machine tools, and also

to transmit back-and-forth movements. In stock, we have our Wippermann leaf chains in series LL. They are available in sizes 1/2" - 2".



Simplex											
Item No [Jens S]	Pitch [inch]	Pitch [mm]	Lacing	Plate height max h, [mm]	Plate thickness s, [mm]	Pin diameter max d2, [mm]	Width over pins max l1, [mm]	Width over plates max B, [mm]	Breaking load ISO min. [kN]	Breaking load W min, [kN]	Weight [kg/m]
LL0822W	1/2"	12,7	2 x 2	10,7	1,55	4,45	9	6,4		18	0,39
LL0844W	1/2"	12,7	4 x 4	10,7	1,55	4,45	15,2	12,8		36	0,74
LL0866W	1/2"	12,7	6 x 6	10,7	1,55	4,45	21,4	19		54	1,1
LL1022W	5/8"	15,875	2 x 2	12,6	1,65	5,08	10	7,2		26	0,5
LL1044W	5/8"	15,875	4 x 4	12,6	1,65	5,08	17,1	14,5		50	0,96
LL1066	5/8"	15,875	6 x 6	13,7	1,65	5,08	22,9		66,7		1,67
LL1066W	5/8"	15,875	6 x 6	12,6	1,65	5,08	24,1	21,5		78	1,39
LL1222W	3/4"	19,05	2 x 2	14,7	1,83	5,72	10,7	7,8		33	0,59
LL1244W	3/4"	19,05	4 x 4	14,7	1,83	5,72	18,1	15,2		66	1,15
LL1266W	3/4"	19,05	6 x 6	14,7	1,83	5,72	25,4	22,6		99	1,7
LL1622W	1"	25,4	2 x 2	21,1	3	8,28	17,2	12,8		70	1,56
LL1644W	1"	25,4	4 x 4	21,1	3	8,28	29,3	25,6		140	3,04
LL1666W	1"	25,4	6 x 6	21,1	3	8,28	41,3	37,5		210	4,53
LL2022W	1 1/4"	31,75	2 x 2	25,4	3,75	10,19	20,3	16		105	2,01
LL2044W	1 1/4"	31,75	4 x 4	25,4	3,75	10,19	36,5	32		210	3,93
LL2066W	1 1/4"	31,75	6 x 6	25,4	3,75	10,19	51,5	48		315	5,86
LL2422W	1 1/2"	38,1	2 x 2	33,4	5	14,63	26,5	21		175	4,18
LL2444W	1 1/2"	38,1	4 x 4	33,4	5	14,63	46,5	42		350	8,48
LL2466W	1 1/2"	38,1	2 x 2	33,4	5	14,63	67,5	62		525	12,2
LL3244W	2"	50,8	4 x 4	43	6	17,81	54,5	50		530	13,1
LL3288W	2"	50,8	8 x 8	43	6	17,81	105,5	99		1050	25,8

Inner end link

Outer end link

Connecting pin


Cotted pin

Item No [Jens S]	Pitch [inch]	Pitch [mm]	Lacing	End plates u, [mm]	End plates d3, [mm]	End plates g2, [mm]	Connecting pin L1, [mm]	Connecting pin L2, [mm]	Connecting pin d2, [mm]	Connecting pin d4, [mm]
LL0844W-111	1/2"	12,7	4 x 4				13,6	19,8	4,45	1,6
LL0866W-111	1/2"	12,7	6 x 6				20,4	26,6	4,45	1,6
LL1022W-111	5/8"	15,875	2 x 2				7,4	13,6	5,08	1,6
LL1044W-111	5/8"	15,875	4 x 4				14,8	21	5,08	1,6
LL1066W-111	5/8"	15,875	6 x 6				21,8	58	5,08	1,6
LL1222W-111	3/4"	19,05	2 x 2				8	14,2	5,72	1,6
LL1244W-111	3/4"	19,05	4 x 4				15,4	21,6	5,72	1,6
LL1266W-111	3/4"	19,05	6 x 6				22,9	29,1	5,72	1,6
LL1622W-111	1"	25,4	2 x 2				13	23,8	8,28	3,4
LL1644W-111	1"	25,4	4 x 4				25,9	36,7	8,28	3,4
LL1666W-111	1"	25,4	6 x 6				38	48,8	8,28	3,4
LL2022W-111	1 1/4"	31,75	2 x 2	45	16	35				
LL2044W-111	1 1/4"	31,75	4 x 4	45	16	35				
LL2066W-111	1 1/4"	31,75	6 x 6	45	16	35				
LL2444W-111	1 1/2"	38,1	4 x 4				42,4	54,8	14,63	4,2
LL3288W-111	2"	50,8	8 x 8				100,7	113	17,81	4,2

End-links

Item No [Jens S]	Pitch [inch]	Pitch [mm]	Lacing	End plates u, [mm]	End plates d3, [mm]	End plates g2, [mm]	Connecting pin L1, [mm]	Connecting pin L2, [mm]	Connecting pin d2, [mm]	Connecting pin d4, [mm]
LL0822W-END	1/2"	12,7	2 x 2	30	10	20				
LL0844W-END	1/2"	12,7	4 x 4	30	10	20				
LL0866W-END	1/2"	12,7	6 x 6	30	10	20				
LL1022W-END	5/8"	15,875	4 x 4	30	10	20				
LL1044W-END	5/8"	15,875	4 x 4	30	10	20				
LL1066W-END	5/8"	15,875	6 x 6	30	10	20				
LL1222W-END	3/4"	19,05	4 x 4	30	10	20				
LL1244W-END	3/4"	19,05	4 x 4	30	10	20				
LL1266W-END	3/4"	19,05	6 x 6	30	10	20				
LL1622W-END	1"	25,4	2 x 2	45	16	35				
LL1644W-END	1"	25,4	4 x 4	45	16	35				
LL1666W-END	1"	25,4	6 x 6	45	15	35				
LL2022W-END	1 1/4"	31,75	2 x 2				16,4	27,2	10,19	3,4
LL2044W-END	1 1/4"	31,75	4 x 4				32,4	43,2	10,19	3,4
LL2066W-END	1 1/4"	31,75	6 x 6				48,5	59,3	10,19	3,4
LL2422W-END	1 1/2"	38,1	2 x 2	60	26	50				
LL2444W-END	1 1/2"	38,1	4 x 4	60	26	50				
LL2466W-END	1 1/2"	38,1	2 x 2	60	26	50				

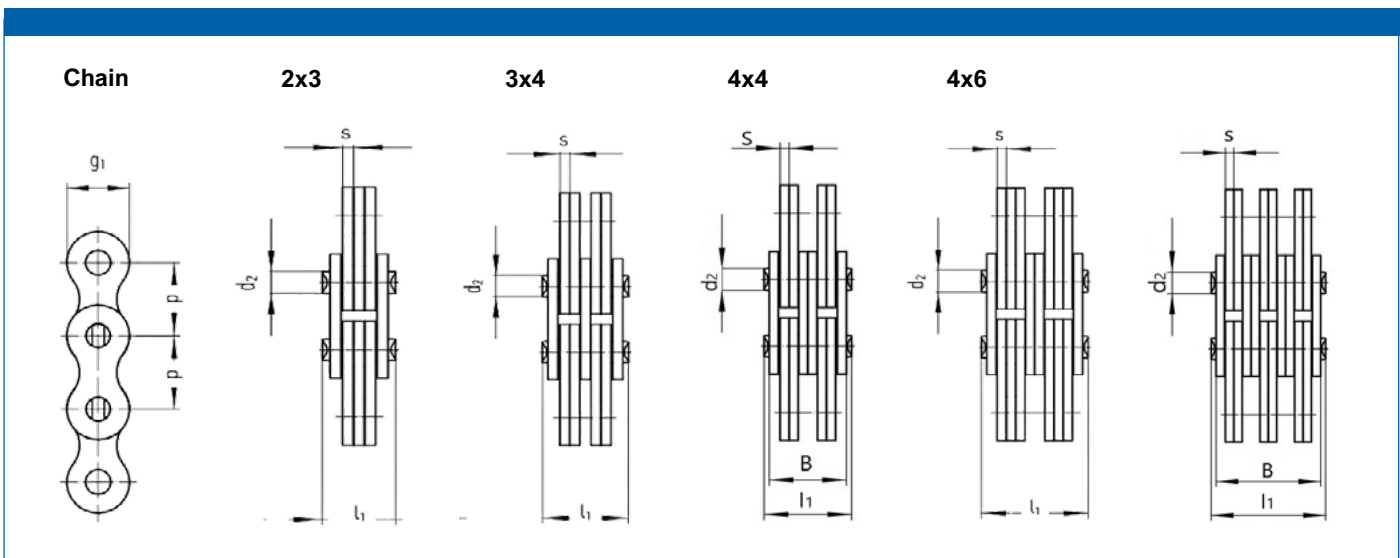
Item no. example

Chain: LL066W
 Connecting link with cotted pin:
 LL066W-111
 End link: LL066W-END



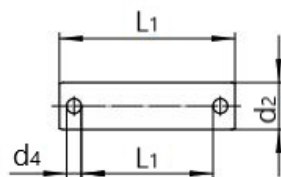
Leaf chains in normal design or reinforced design are used as load chains in cranes, hoisting gear and lifting equipment as well as for counterweights, e.g. on machine tools, and also to

transmit back-and-forth movements. In stock, you can find our Witra leaf chain in series LH/BL. Available sizes are 5/8" - 1 1/2".



Simplex									
Item No [Jens S]	Pitch [inch]	Pitch [mm]	Lacing	Plate height max h, [mm]	Plate thickness s, [mm]	Pin diameter max d2, [mm]	Width over pins max l1, [mm]	Breaking load ISO minimum, [kN]	Weight [kg/m]
LH1023	5/8"	15,875	2 x 3	15	2,42	5,94	15,37	33,4	1,16
LH1034	5/8"	15,875	3 x 4	15	2,42	5,94	20,32	48,9	1,62
LH1044	5/8"	15,875	4 x 4	15	2,42	5,94	22,78	66,7	1,84
LH1046	5/8"	15,875	4 x 6	15	2,42	5,94	27,74	66,7	2,3
LH1066	5/8"	15,875	6 x 6	15	2,42	5,94	32,69	100,1	2,74
LH1223	3/4"	19,05	2 x 3	18	3,25	7,92	20,73	48,9	1,8
LH1234	3/4"	19,05	3 x 4	18	3,25	7,92	27,43	75,6	2,49
LH1244	3/4"	19,05	4 x 4	18	3,25	7,92	30,78	97,9	2,83
LH1246	3/4"	19,05	4 x 6	18	3,25	7,92	37,49	97,9	3,52
LH1266	3/4"	19,05	6 x 6	18	3,25	7,92	44,22	148,8	4,21
LH1623	1"	25,4	2 x 3	24	4	9,53	25,48	84,5	3,47
LH1634	1"	25,4	3 x 4	24	4	9,53	33,76	129	4,82
LH1644	1"	25,4	4 x 4	24	4	9,53	37,9	169	5,43
LH1646	1"	25,4	4 x 6	24	4	9,53	46,18	169	6,83
LH1666	1"	25,4	6 x 6	24	4	9,53	54,46	253,6	8,19
LH2023	1 1/4"	31,75	2 x 3	30	4,8	11,1	30,33	115,6	4,65
LH2034	1 1/4"	31,75	3 x 4	30	4,8	11,1	40,23	182,4	6,46
LH2044	1 1/4"	31,75	4 x 4	30	4,8	11,1	45,19	231,3	7,37
LH2046	1 1/4"	31,75	4 x 6	30	4,8	11,1	55,09	231,3	9,18
LH2066	1 1/4"	31,75	6 x 6	30	4,8	11,1	65	347	11
LH2466/BL1266	1 1/2"	38,1	7 x 6	36,2	5,77	12,71	76,15	453,7	13,9

Connecting pin



Cotted pin

Item No [Jens S]	Pitch [inch]	Pitch [mm]	Lacing	Plate height max h, [mm]	Plate thickness s, [mm]	Pin diameter max d2, [mm]	Width over pins max l1, [mm]	Breaking load ISO minimum, [kN]	Weight [kg/m]
LH1023-111	5/8"	15,875	2 x 3	15	2,42	5,94	15,37	33,4	1,16
LH1034-111	5/8"	15,875	3 x 4	15	2,42	5,94	20,32	48,9	1,62
LH1044-111	5/8"	15,875	4 x 4	15	2,42	5,94	22,78	66,7	1,84
LH1046-111	5/8"	15,875	4 x 6	15	2,42	5,94	27,74	66,7	2,3
LH1066-111	5/8"	15,875	6 x 6	15	2,42	5,94	32,69	100,1	2,74
LH1223-111	3/4"	19,05	2 x 3	18	3,25	7,92	20,73	48,9	1,8
LH1234-111	3/4"	19,05	3 x 4	18	3,25	7,92	27,43	75,6	2,49
LH1244-111	3/4"	19,05	4 x 4	18	3,25	7,92	30,78	97,9	2,83
LH1246-111	3/4"	19,05	4 x 6	18	3,25	7,92	37,49	97,9	3,52
LH1266-111	3/4"	19,05	6 x 6	18	3,25	7,92	44,22	148,8	4,21
LH1623-111	1"	25,4	2 x 3	24	4	9,53	25,48	84,5	3,47
LH1634-111	1"	25,4	3 x 4	24	4	9,53	33,76	129	4,82
LH1644-111	1"	25,4	4 x 4	24	4	9,53	37,9	169	5,43
LH1646-111	1"	25,4	4 x 6	24	4	9,53	46,18	169	6,83
LH1666-111	1"	25,4	6 x 6	24	4	9,53	54,46	253,6	8,19
LH2023-111	1 1/4"	31,75	2 x 3	30	4,8	11,1	30,33	115,6	4,65
LH2034-111	1 1/4"	31,75	3 x 4	30	4,8	11,1	40,23	182,4	6,46
LH2044-111	1 1/4"	31,75	4 x 4	30	4,8	11,1	45,19	231,3	7,37
LH2046-111	1 1/4"	31,75	4 x 6	30	4,8	11,1	55,09	231,3	9,18
LH2066-111	1 1/4"	31,75	6 x 6	30	4,8	11,1	65	347	11
LH2466-111	1 1/2"	38,1	6 x 6	36,2	5,77	12,71	76,15	453,7	13,9

Item no. example

Chain: LH1034

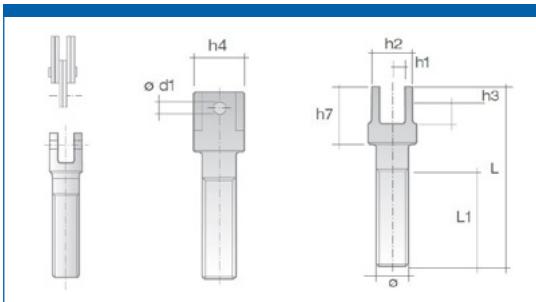
Connecting link with cotted pin: LL1034-111

Adjustable anchors for fleyer chain

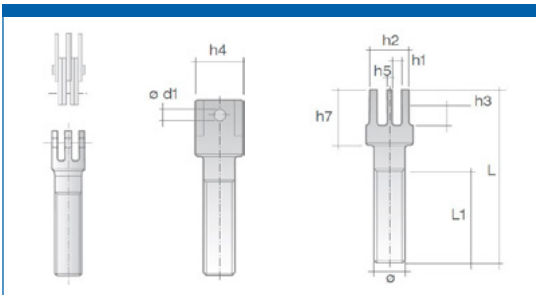


Item no. example

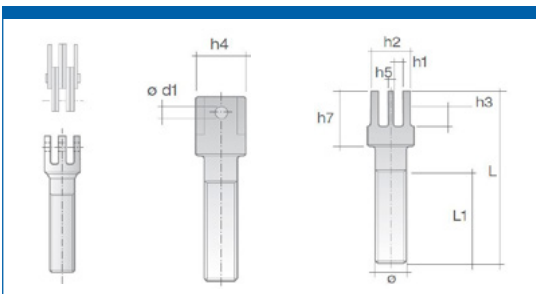
Adjustable anchor: FGLH1044-02



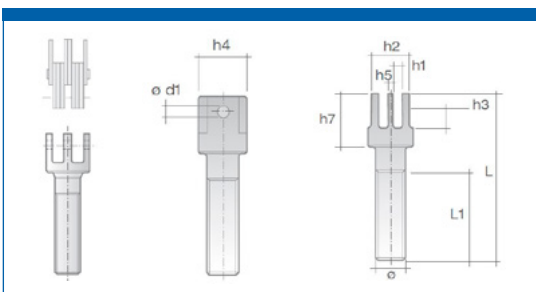
DIN	Chain	h2	h4	Ø	L	L1	h1	h3	h5	h7	a1
LH1023	BL523	14,9	15	M12	130	70	7,5	19	-	30	Ø6
LH1223	BL623	19,9	20	M14	150	80	10,3	9,5	-	34	Ø8
LH1623	BL823	24,9	25	M14	150	80	12,8	30,5	-	35	Ø9,6
LH2023	BL1023	29,8	30	M16	180	120	15,1	37	-	40	Ø11,2



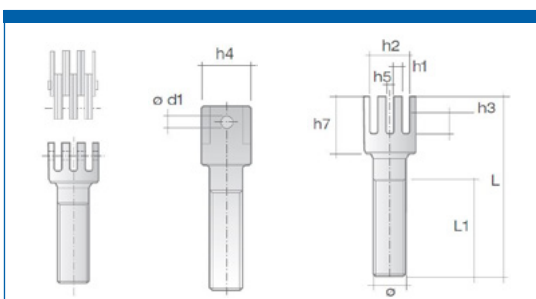
DIN	Chain	h2	h4	Ø	L	L1	h1	h3	h5	h7	a1
LH1034	BL534	19,9	23	M14	150	110	5	8	2,5	30	Ø6
LH1234	BL634	26,9	30	M16	150	90	6,8	9,5	3,2	34	Ø8
LH1634	BL834	32,9	30	M20	220	140	8,5	12,5	4	45	Ø9,5
LH2034	BL1034	39	30	M24	250	150	10	15	4,7	50	Ø11,2



DIN	Chain	h2	h4	Ø	L	L1	h1	h3	h5	h7	a1
LH1044	BL544	22,4	28	M14	150	100	5	8	4,8	30	Ø6
LH1244	BL644	29,9	34	M16	180	100	6,8	9,5	6,4	38	Ø8
LH1644	BL844	36,9	30	M20	180	120	8,5	12,5	8	45	Ø9,6
LH2044	BL1044	44	32	M24	200	120	10	15	9,4	54	Ø11,2



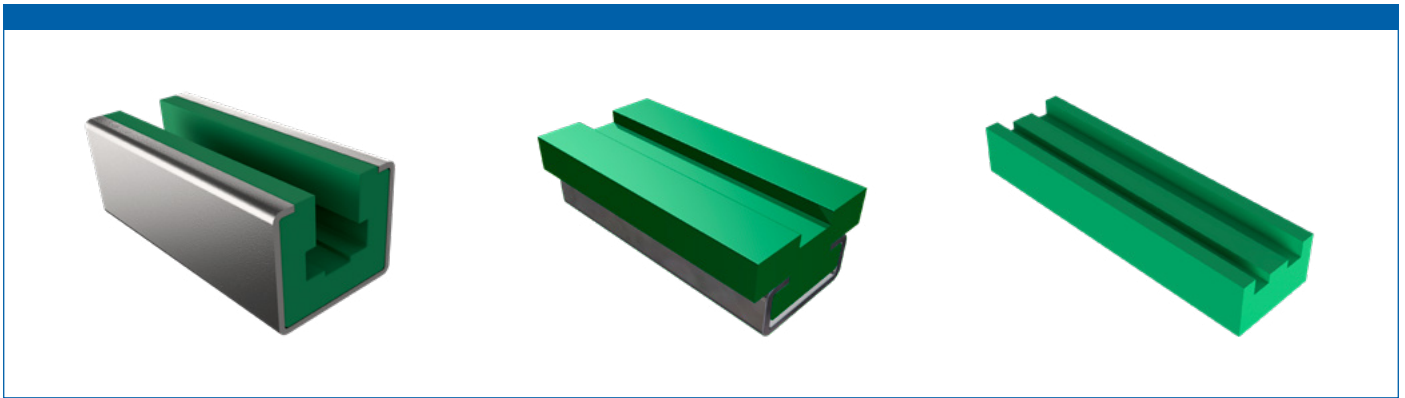
DIN	Chain	h2	h4	Ø	L	L1	h1	h3	h5	h7	a1
LH1046	BL546	26,9	27	M16	150	100	7,5	8	4,5	34	Ø6
LH1246	BL646	36,9	37	M20	180	100	10,3	9,5	6,4	40	Ø8
LH1646	BL846	45,9	46	M24x2	220	140	12,8	12,5	7,8	50	Ø9,6
LH2046	BL1046	53,9	54	M24x2	210	120	15,1	9,4	15	80	Ø11,2



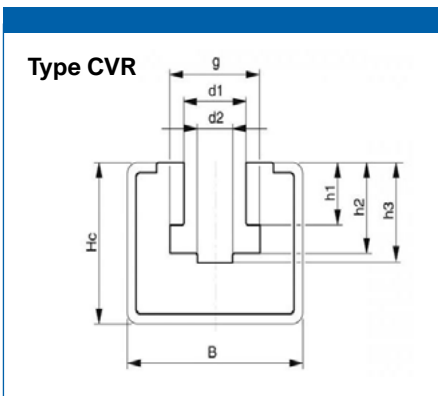
DIN	Chain	h2	h4	Ø	L	L1	h1	h3	h5	h7	a1
LH1066	BL566	32	25	M18	160	110	5	8	4,8	34	Ø6
LH1266	BL666	43	24	M22	250	150	6,6	9,5	6,4	38	Ø8
LH1666	BL866	52,9	40	M24	190	120	8,5	12,5	8	50	Ø9,6
LH2066	BL1066	63	40	M30	210	120	10	15	9,4	60	Ø11,2

Chain guides

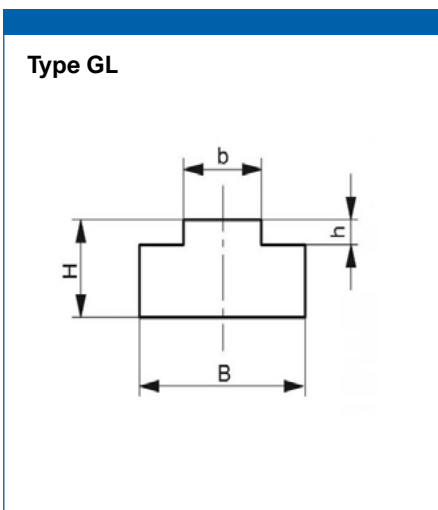
Material PE HD 1000



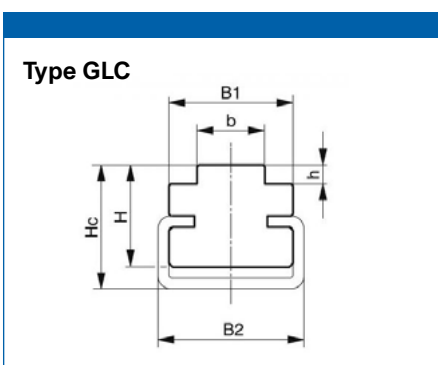
Jens S chain guides are available in five different types. They are all stocked in lengths of 2000 mm.



Item no [Jens S]	Suit to chain	C-profile type	Width B, [mm]	Height Hc, [mm]	Width d1, [mm]	Width d2, [mm]	Width g, [mm]	Height h1, [mm]	Height h2, [mm]	Height h3, [mm]
CVR06B1	06B1	C10	-	-	-	-	-	-	-	-
CVR0831	083-1	C10	-	-	-	-	-	-	-	-
CVR08B1	08B1	C10	30	24	8,9	5,0	12,8	7,4	11,5	13,0
CVR10B1	10B1	C10	30	24	10,6	6,0	15,4	9,3	13,5	14,9
CVR12B1	12B1	C10	30	24	12,4	7,0	17,0	11,3	15,9	17,5
CVR16B1	16B1	C11	45	40	16,4	10,0	24,0	16,0	25,7	27,7
CVR20B1	20B1	C11	45	40	20,0	11,0	28,0	18,0	29,5	31,7
CVR24B1	24B1	C13	65	-	-	-	-	-	-	-

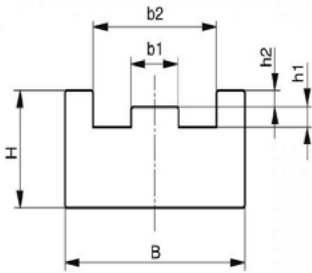


Item no [Jens S]	Suit to chain	Width B, [mm]	Height H, [mm]	Width e+b, [mm]	Width b, [mm]	Height h, [mm]
GL06B1	06B1	15	10	-	5,4	1,5
GL06B2	06B2	20	10	-	7,4	2,2
GL08B1	08B1	20	10	-	9,3	2,6
GL08B2	08B2	20	20	-	9,3	2,6
GL10B1	10B1	25	10	-	11,3	2,4
GL10B1-20	10B1	40	15	-	16,0	3,5
GL10B2	10B2	45	18	-	15,0	4,2
GL12B1	12B1	60	15	-	24,0	5,5
GL12B2	12B2	25	10	15,6	5,4	1,5
GL16B1	16B1	35	10	21,2	7,2	2,2
GL16B2	16B2	40	10	25,6	9,0	2,6
GL20B1	20B1	45	15	30,4	10,9	2,4
GL20B2	20B2	47,8	15	47,8	15,8	3,5
GL24B1	24B1	54,7	15	54,7	18,2	4,2
GL24B2	24B2	72	20	72	23,6	5,5



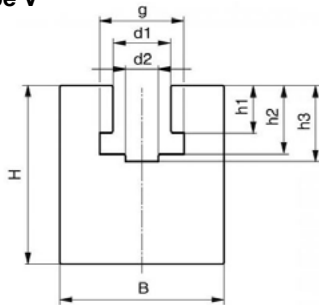
Item no [Jens S]	Suit to chain	C-profile type	Height H, [mm]	Width B1, [mm]	Width B2, [mm]	Width b, [mm]	Height h, [mm]	Height Hc, [mm]
GLC06B1	06B1	C3	14	17	20	5,4	1,5	17
GLC0831	083-1	C3	14	17	20	4,5	1,5	17
GLC08B115	08B1	C3	14	17	20	7,4	2,2	17
GLC10B1	10B1	C3	14	17	20	9,3	2,6	17
GLC12B1	12B1	C3	14	20	20	11,3	2,4	17
GLC16B1	16B1	C5	14	24	28	16,0	3,5	18
GLC20B1	20B1	C5	14	28	28	18,0	4,2	18
GLC20B2	20B2	C9	23	33	38	24,0	5,5	30

Type TS



Item no [Jens S]	Suit to chain	Width B, [mm]	Height H, [mm]	Width B1, [mm]	Width B2, [mm]	Height h1, [mm]	Height h2, [mm]
TS06B1	06B1	20	10	3,8	13	1,5	1,1
TS0831	083-1	20	10	3	12,4	1,6	1,4
TS08B1	08B1	25	15	5,7	16,3	2,2	1,6
TS10B1	10B1	28	15	7,4	19,2	2,6	2,1
TS12B1	12B1	30	20	9,2	21,8	2,4	2,8
TS16B1	16B1	42	25	15	35	3,5	3,3
TS20B1	20B1	50	25	16,8	40	4,2	4,0

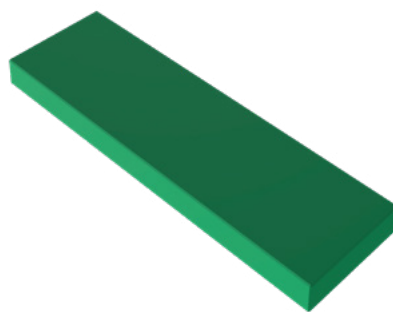
Type V



Item no [Jens S]	Suit to chain	Width B, [mm]	Height H, [mm]	Width d1, [mm]	Width d2, [mm]	Width g, [mm]	Height h1, [mm]	Height h2, [mm]	Height h3, [mm]
V06B1	06B1	20	25	6,6	4	9,4	5,5	8,9	10
V0831	083-1	20	25	8	5	10,8	4,5	8,0	9,5
V08B1	08B1	24	30	8,9	5	12,8	7,4	11,5	13
V10B1	10B1	30	35	10,6	6	15,4	9,3	13,5	14,9
V12B1	12B1	40	35	12,4	7	17	11,3	15,9	17,5
V16B1	16B1	40	45	16,4	10	24	16	25,7	27,7
V20B1	20B1	50	50	20	11	28	18	29,5	31,7

Slide band

Material PE HD 1000



Item no [Jens S]	Width B, [mm]	Height H, [mm]	Material
GLB303	30	3	PE HD 1000
GLB405	40	5	PE HD 1000
GLB503	50	3	PE HD 1000
GLB505	50	5	PE HD 1000
GLB603	60	3	PE HD 1000



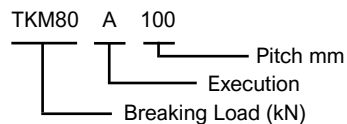
Conveyor Chains

Conveyor chain Lapua

Type M with solid pins according to SMS 2083 (DIN 8167 ISO R 1977)



Art.no example



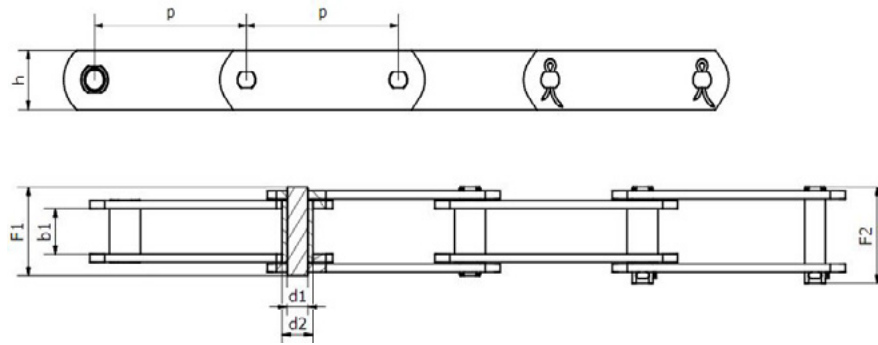
Our Conveyor chains is produced in Finland by Lapua. We have both M-chains and A-chains available in stock. Our M-chains are available in stock from sizes M56 - M630. Larger sizes are available upon your request.

Properties

- Pins and bushes always through or hybrid hardened- which gives high durability
- Size M40 - M160 with riveted pins.
- M224 and up with welded pins and bushes.
- High quality raw material and components!
- Welded bushes increases breaking load by up to 40%.

Chain constructions

A	B	C	D	E
Chain with straight sideplates, with bushes	Chain with straight sideplates with small roller	Chain with straight sideplates with plain rollers	Chain with straight side plates with flanged roller	Chain with raised side plates and plain rollers



Simplex

M-chain	Type	b1 min. [mm]	Bush, d1 max. [mm]	pin, d2 max. [mm]	Type B d3	Type C d4	H max. [mm]	Innerplate thickness [mm]	Outerplate thickness [mm]	Type D d4	Type D d5	Type E d4	Type E max. h [mm]	F1 max. [mm]	b7 max [mm]	Breaking load DIN 8167 min. [kN]	Breaking load Lapua min. [kN]	Connecting links
Riveted chains	M 56	23	15	10	21	42	30	4	4	42	50	42	40	46	10	56	56	7,111,12
	M 80	27	18	12	25	50	35	5	5	50	60	50	50	59	12	80	80	7,111,12
	M 112	31	21	15	30	60	40	6	6	60	75	60	60	65	14	80	80	7,111,12
	M 160	36	25	18	36	70	50	7	7	70	90	70	70	77	16	160	160	7,111,12
																	+ 40%	
Welded chains	M 224	42	30	21	42	85	60	8	8	85	105	85	90	89		224	315	7,12
	M 315	47	36	25	50	100	70	10	10	100	124	100	100	103		315	440	7,12
	M 450	55	42	30	60	120	80	12	12	120	149	120	120	121		450	630	7,12
	M 630	65	50	36	70	140	100	14	14	140	170	140	140	140		630	880	7
	M 900	76	60	44	85	170	120	16	16	170	210	170	180	162		900	1260	7

Type		Pitch, p [mm]							
		63	80	100	125	160	200	250	315
M 56	Stock length links/pc	100	96	96	96				
	Weight kg/m	3,2	2,9	2,7	2,6				
M 80	Stock length links/pc	100	96	96	96	48			
	Weight kg/m	5	4,5	4,2	3,9	3,7			
M 112	Stock length links/pc		80	48	48	48			
	Weight kg/m		6,7	6,1	5,6	5,2			
M 160	Stock length links/pc			40	40	40	30		
	Weight kg/m			9,5	8,7	8	7,5		
M 224	Stock length links/pc				40	24	24		
	Weight kg/m				12,8	11,6	10,8		
M 315	Stock length links/pc				40	24	24	20	
	Weight kg/m				19,6	17,8	16,4	15,4	
M 450	Stock length links/pc					24	24	20	16
	Weight kg/m					25,8	23,8	22,1	20,6
M 630	Stock length links/pc							20	16
	Weight kg/m							34,2	31,7

Connecting links: According to ISO



-7
Outer link (to be riveted)



-111
Connecting link with cotted pin



-12
Single cranked link

Conveyor chain Lapua

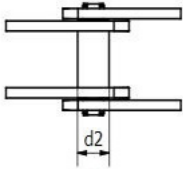
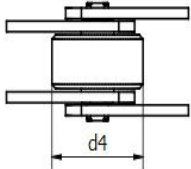
Type A with solid pins according to SMS 1698



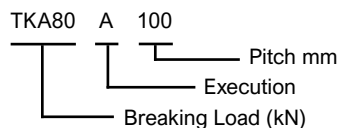
Our Conveyor chains is produced in Finland by Lapua. Our A-chains are available in stock from sizes A5,5 -A24. Larger sizes are available upon your request.

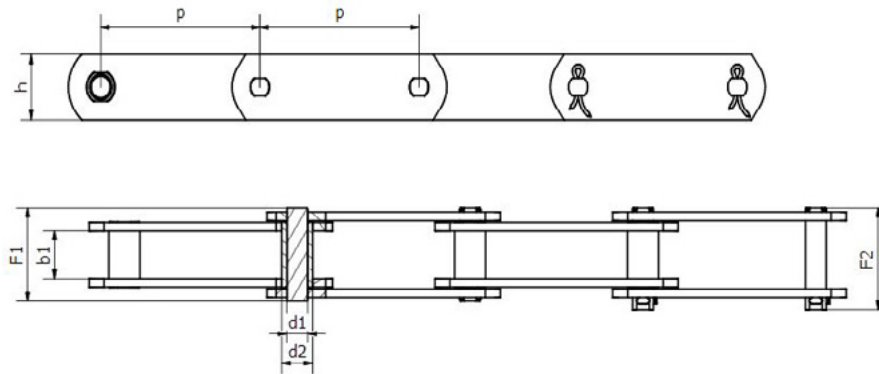
Properties

- Pins and bushes always through or hybrid hardened.
- Size A5,5 - A12,5 with riveted pins.
- A18 with welded pins.
- A24 and up with welded pins and bushes.
- Welded bushes increases breaking load by up to 40%.

Chain constructions	
A	C
Chain with straight sideplates, with bushes	Chain with straight sideplates with plain rollers
	

Art.no example





Simplex											
A-chain	Type	b1 min. [mm]	Bush, d1 max. [mm]	Pin, d2 max. [mm]	H max. [mm]	Innerplate thickness [mm]	Outerplate thickness heavy [mm]	F1 max. [mm]	Breaking load DIN 8167 min. [kN]	Breaking load Lapua min. [kN]	Connecting links
Riveted chains	A 5,5	22	18	12	30	5	4	50	5,5	5,5	7,111
	A 8,5	25	20	14	35	6	8	60	8,5	8,5	7,111
	A 12,5	35	25*	18	40	8	8	77	12,5	12,5	7,111
	A 18 ¹	45	30	21*	50	8	10	97	18	18	7,111
Welded chains	A 24 ¹	55	36	25*	60	10	12	113	24	+ 40%	7,111
	A 30	65	42	30	70	10	12	126	30	33	7,111
	A 40	80	50	36	80	12	12	145	40	42	7,111
	A 65	80	50	36	90	15	15	162	65	56	7,111
										90	7,111

* differ /deviate from standard
¹ welded pins

Type		Pitch, p [mm]				
		50	60	100	150	200
A 5,5	Stock length links/pc	100				
	Weight kg/m	4,9				
A 8,5	Stock length links/pc		40			
	Weight kg/m		4,3			
A 12,5	Stock length links/pc			40		
	Weight kg/m			9,1		
A 18	Stock length links/pc				30	
	Weight kg/m				11,3	
A 24	Stock length links/pc				24	
	Weight kg/m				19,9	
A 30	Stock length links/pc				24	24
	Weight kg/m				27	35
A 40	Stock length links/pc					20
	Weight kg/m					31

Connecting links: According to ISO



-7
Outer link (to be riveted)



-111
Connecting link with cotted pin



Protorque conveyor chains are suitable for larger bulk handling and demanding applications. A cost-effective and reliable chain constructed according to established standard.

Temperature operating range between -10°C to +80 °C with standard lubrication. Carbon steel side plates gives excellent wear resistance for increased life and decreased maintenance. Protorque chains are ISO 1977 - DIN 8165 - DIN 8167 and meet RoHS and REACH requirements.

Product range:

- M56-M224 in steel
- FV63-FV180 in steel

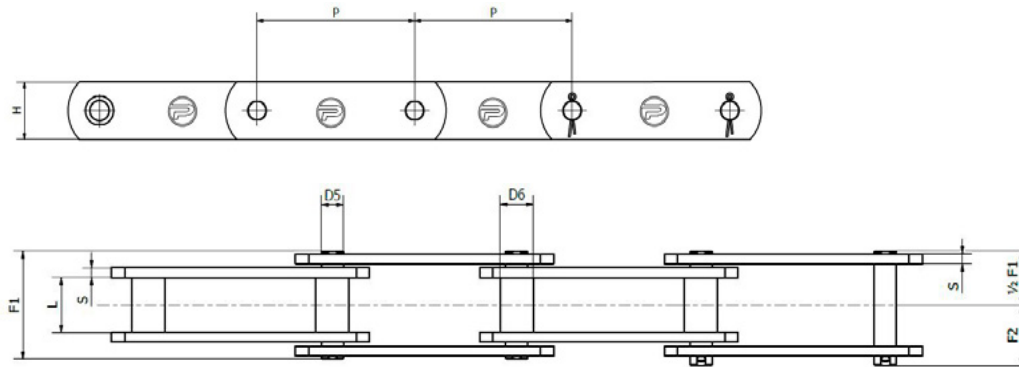
You will find a wide selection of the most common M and FV conveyor chains available from stock.

Chain

Brand type	Execution	Material	Welded bush	Welded pin
Standard	A	Steel	No	No

Connecting Links

Brand type	Product type	Execution	Material	Welded bush	Welded pin
Standard	Cottered pin link	A	Steel	No	No



M-Chain

Item No. Jens S.	Size	Pitch p, [mm]	Acc. to standard	b1 min [mm]	d1 max [mm]	d2 max [mm]	H max [mm]	Innerplate thickness [mm]	Outerplate thickness [mm]	F1 max [mm]	b7 max [mm]	Stock-holding length [links]	Stock-holding length [m]	Breaking load minimum [kN]	Weight, [kg/m]
M56A63P	M56	63	DIN 8167	24	15	10	30	4	4	45	3,5	80	5,04	56	3,32
M56A80P	M56	80	DIN 8167	24	15	10	30	4	4	45	3,5	64	5,12	56	3,01
MC56A80P	MC56	80	DIN 8168	24	21	15,5	35	4	4	45	2,25	64	5,12	56	3,5
M56A125P	M56	125	DIN 8167	24	15	10	30	4	4	45	3,5	40	5	56	2,6
M56A100P	M56	100	DIN 8167	24	15	10	30	4	4	45	3,5	50	5	56	2,79
M80A80P	M80	80	DIN 8167	28	18	12	35	5	5	54,5	3,25	64	5,12	80	4,65
M80A125P	M80	125	DIN 8167	28	18	12	35	5	5	54,5	3,25	40	5	80	3,97
M80A100P	M80	100	DIN 8167	28	18	12	35	5	5	54,5	3,25	50	5	80	4,27
M112A80P	M112	80	DIN 8167	32	21	15	40	6	6	63	4,5	64	5,12	112	6,75
M112A160P	M112	160	DIN 8167	32	21	15	40	6	6	63	4,5	32	5,12	112	5,26
M112A125P	M112	125	DIN 8167	32	21	15	40	6	6	63	4,5	40	5	112	5,69
M112A100P	M112	100	DIN 8167	32	21	15	40	6	6	63	4,5	50	5	112	6,15
M160A160P	M160	160	DIN 8167	37	25	18	50	7	7	72	5,5	32	5,12	160	8,15
M160A125P	M160	125	DIN 8167	37	25	18	50	7	7	72	5,5	40	5	160	8,85
M160A100P	M160	100	DIN 8167	37	25	18	50	7	7	72	5,5	50	5	160	9,7
M224A200P	M224	200	DIN 8167	43	30	21	60	8	8	84	5	25	5	224	11,1
M224A160P	M224	160	DIN 8167	43	30	21	60	8	8	84	5	32	5,12	224	11,9
M224A125P	M224	125	DIN 8167	43	30	21	60	8	8	84	5	40	5	224	13,1

FV-Chain

Item No. Jens S.	Size	Pitch p, [mm]	Acc. to standard	b1 min [mm]	d1 max [mm]	d2 max [mm]	H max [mm]	Innerplate thickness [mm]	Outerplate thickness [mm]	F1 max [mm]	b7 max [mm]	Stock-holding length [links]	Stock-holding length [m]	Breaking load minimum [kN]	Weight, [kg/m]
FV63A100P	FV63	100	DIN 8165	22	18	12	30	4	4	45	3,5	50	5	64	2,92
FV90A63P	FV90	63	DIN 8165	25	20	14	35	5	5	53	3,5	80	5,04	100	5,72
FV90A125P	FV90	125	DIN 8165	25	20	14	35	5	5	53	3,5	40	5	100	4,35
FV90A100P	FV90	100	DIN 8165	25	20	14	35	5	5	53	3,5	50	5	100	4,67
FV112A125P	FV112	125	DIN 8165	30	22	16	40	6	6	62	4	40	5	120	5,85
FV112A100P	FV112	100	DIN 8165	30	22	16	40	6	6	62	4	50	5	120	6,11
FV140A160P	FV140	160	DIN 8165	35	26	18	45	6	6	67	4,5	40	5	145	6,56
FV140A125P	FV140	125	DIN 8165	35	26	18	45	6	6	67	4,5	40	5	145	6,78
FV180A160P	FV180	160	DIN 8165	45	30	20	50	8	8	86	6	50	5	190	9,76
FV180A100P	FV180	100	DIN 8165	45	30	20	50	8	8	86	6	50	5	190	11,2

Connecting Links

Item no. Jens S.	Acc. to standard	Size	Pitch p, [mm]	b1 min [mm]	d1 max [mm]	d2 max [mm]	H max [mm]	Innerplate thickness [mm]	Outerplate thickness [mm]	F1 max [mm]	b7 max [mm]	Stock-holding length [links]	Stock-holding length [m]	Breaking load minimum [kN]	Weight, [kg/m]
M56A63P-111	DIN8167	M56	63	24	15	10	30	4	4	45	3,5	80	5,04	56	3,32
M56A80P-111	DIN8167	M56	80	24	15	10	30	4	4	45	3,5	64	5,12	56	3,01
MC56A80P-111	DIN 8168	MC56	80	24	21	15,5	35	4	4	45	2,25	64	5,12	56	3,5
M56A100P-111	DIN8167	M56	100	24	15	10	30	4	4	45	3,5	50	5	56	2,79
M80A80P-111	DIN8167	M80	80	28	18	12	35	5	5	54,5	3,25	64	5,12	80	4,65
M80A100P-111	DIN8167	M80	100	28	18	12	35	5	5	54,5	3,25	50	5	80	4,27
M112A80P-111	DIN8167	M112	80	32	21	15	40	6	6	63	4,5	64	5,12	112	6,75
M112A100P-111	DIN8167	M112	100	32	21	15	40	6	6	63	4,5	50	5	112	6,15
M112A125P-111	DIN8167	M112	125	32	21	15	40	6	6	63	4,5	40	5	112	5,69
FV63A100P-111	DIN8165	FV63	100	22	18	12	30	4	4	45	3,5	50	5	64	2,92
FV90A100P-111	DIN8165	FV90	100	25	20	14	35	5	5	53	3,5	50	5	100	4,67
FV112A125P-111	DIN8165	FV112	125	30	22	16	40	6	6	62	4	40	5	120	5,85
FV140A160P-111	DIN8165	FV140	160	35	26	18	45	6	6	67	4,5	40	5	145	6,56
FV180A160P-111	DIN8165	FV180	160	45	30	20	50	8	8	86	6	50	5	190	9,76



Roller chains for wood industry

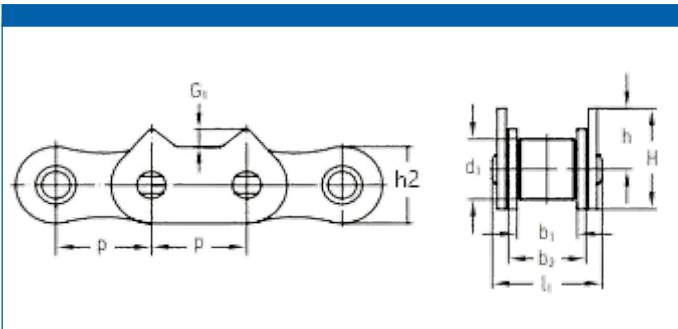


These chains have the perfect design for usage within sawmill industries. We stock an assortment of the most common sizes and executions of Lumber conveyor chains.

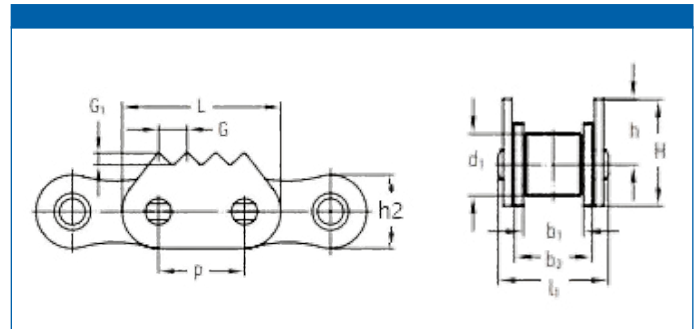
Available in stock are sizes 12B - 32B. Other types of chain are available upon your request.

Simplex																			
Item No Jens S.	Pitch, p		B1 min. [mm]	B2 max. [mm]	d1 max. [mm]	h2 max. [mm]	l1 max. [mm]	L [mm]	G [mm]	G1 [mm]	r [mm]	H [mm]	h [mm]	L [mm]	Breaking load ISO min. [kn]	Profile	Weight [kg/m]	Connecting Links	
	mm	inch																	
16B1-1170	25,4	1"	17,02	25,4	15,88	21	36,1	-	4,23	4	-	26,5	16	46	60	2	2,94	11, 111	
16B1-1185	25,4	1"	17,02	25,4	15,88	21	36,1	-	4	4	-	26,5	16	46	60	4	3,03	11, 111	
16B1-1186	25,4	1"	17,02	25,4	15,88	21	36,1	-	4	4	-	26,5	16	46	60	4	3,23	11, 111	
20B1-1350	31,75	1 1/4"	19,56	29	19,05	26,4	43,2	-		6,5	-	33	19,8	-	95	1	4,07	11, 111	
20B1-1310	32,75	2 1/4"	19,56	29	19,05	26,4	43,2	-	6,35	3,2	-	33	19,8	-	95	3	4,17	11, 111	

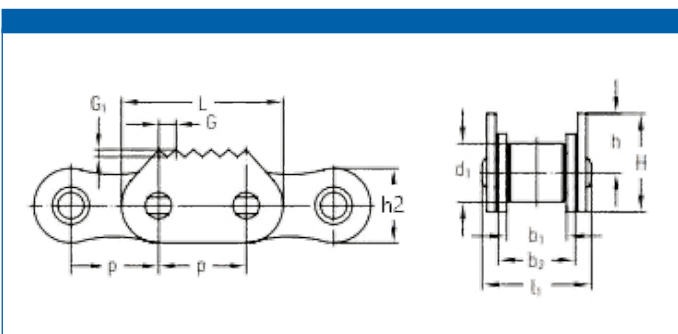
Profile 1



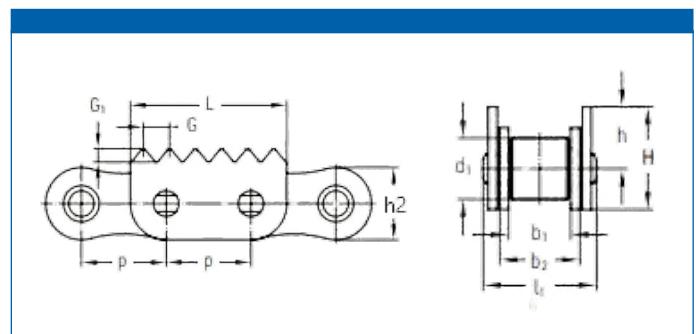
Profile 2



Profile 3



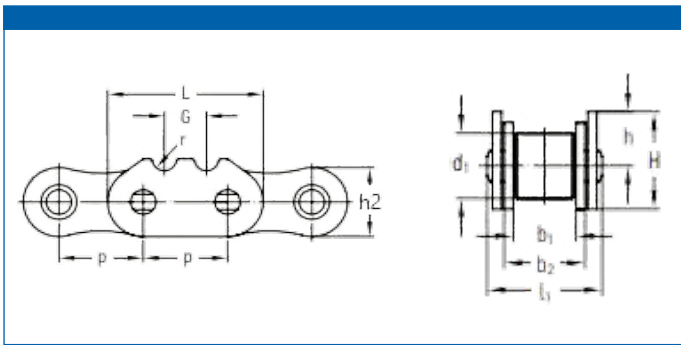
Profile 4



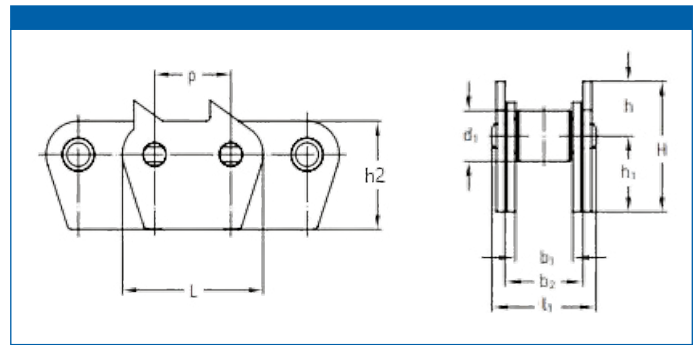
Simplex

Item No Jens S.	Pitch, p		B1 min. [mm]	B2 max. [mm]	d1 max. [mm]	h2 max. [mm]	l1 max. [mm]	L [mm]	G [mm]	G1 [mm]	r [mm]	H [mm]	h [mm]	L [mm]	Breaking load ISO min. [kn]	Profile	Weight [kg/m]	Connecting Links
	mm	inch																
16B1-1180	25,4	1"	17,02	25,4	15,88	21	36,1	46	12	-	3,5	22,5	12,2	-	60	5	2,84	11, 111
32B1-1872	50,8	2"	30,99	45,5	29,21	42,2	67,4	92,8	-	-	-	64	-	43	250	7	11	11, 111
32B1-1874	50,8	2"	30,99	45,5	29,21	42,2	67,4	92,8	-	-	-	73	30	43	250	8	12,27	11, 111

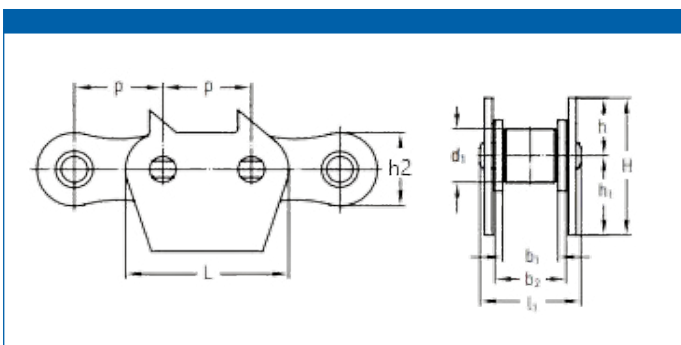
Profile 5



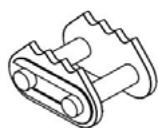
Profile 7



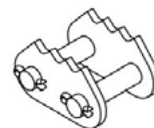
Profile 8



Connecting links: According to ISO



-11
Outer link (to be riveted)



-111
Connecting link with cotted pin

Plastic Chains

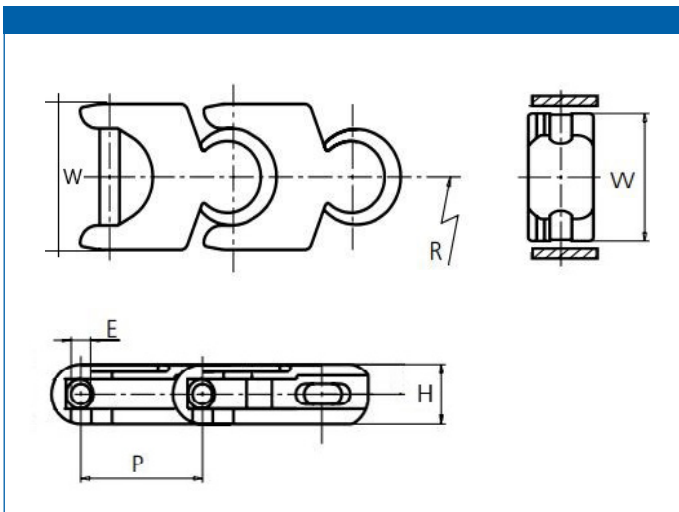
Unin plastic chains



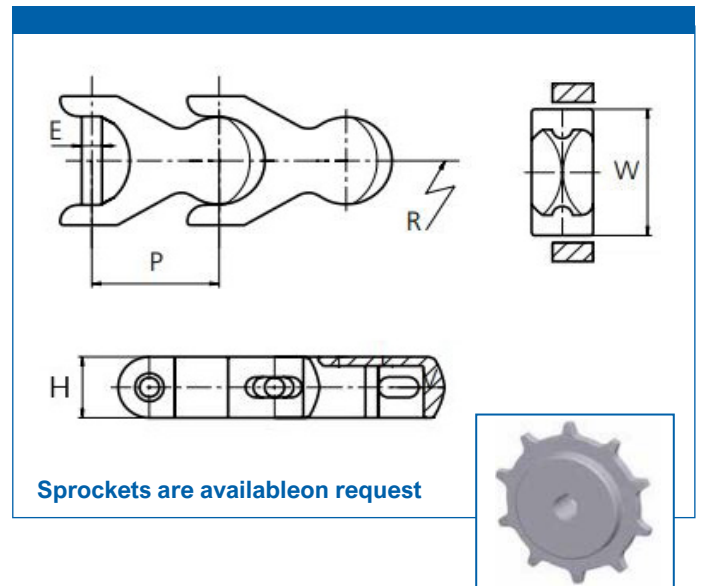
Plastic Chains are a light-weight yet strong and silent alternative to Steel Chains. Plastic Chains are used in many industries; mainly in the Food and Packaging Industry for conveying of

various container types. Jens S. have Uni Flex plastic chains available in stock and can be delivered in non standard material upon your request.

Series 1700



Series 1702



Item no. Jens S.	Series	Pitch, p [mm]	Pitch, p [inch]	Width, W [mm]	Height, H [mm]	Width pin, E [mm]	Weight kg/m	Backflex radius [mm]	Min. radius, R [mm]	Permissible tensile strength [N]	Material	Color
D1700	1700	50	1,97	55	24	8	1,4	75	150	4000	POM-D	White
D1702	1702	50	1,97	53,3	25	8	1,5	75	150	4000	POM-D	White (W)
LF1702	1702	50	1,97	53,3	25	8	1,5	75	150	4000	POM-LF	Brown (BR)

Standard material: POM-D, POM-LF, POM SLF
 Pin material: Stainless steel 18/8 CrNi steel.
 Standard length fo delivery: 6,1 meters (20.0 ft).

Protorque Lumber conveyor roller chains

According to ISO standard 606

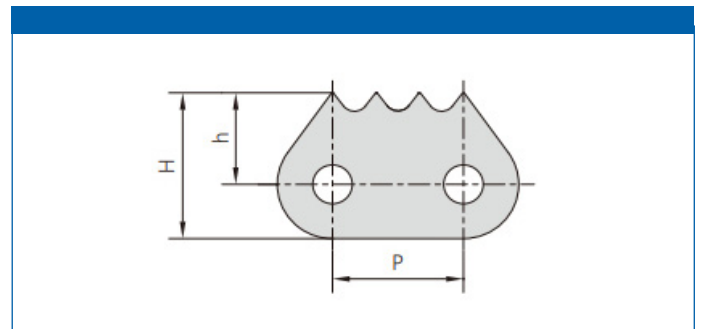
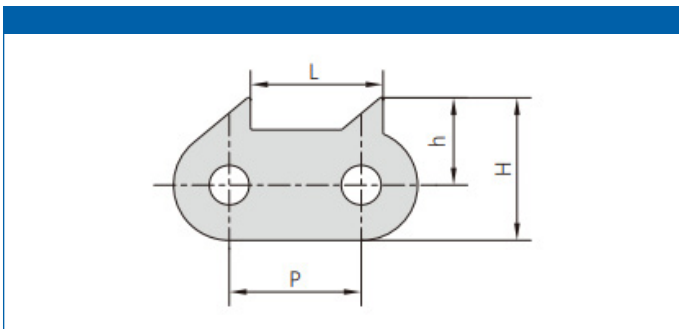


Our Protorque lumber conveyor chains have the perfect design for usage within sawmill industries. We stock an assortment of the most common sizes and executions.

Available in stock are sizes 12B - 32B. Other types of chain are available upon your request.

2 spikes

4 spikes

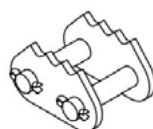


Item No [JENS S.]	ISO standard size	Chain design	Pitch p, [inch]	Pitch p, [mm]	h [mm]	H [mm]	L [mm]	Spikes on outerlink	Spikes on innerlink	Bearing area, [cm ²]	Breaking load ISO min. [kn]	Breaking load supplier min. [kn]	Weight, [kg/m]	Connecting Links
12B19010P+	12B-1	Simplex	3/4"	19,05	12,5	20,5	19,05	2	-	0,89	28,9	29	1,15	111
12B19015P+	12B-1	Simplex	3/4"	19,05	13,5	21,5	-	4	4	0,89	28,9	29	1,15	111
16B1901021P+	16B-1	Simplex	1"	25,4	17	27,5	25,4	2	-	2,1	60	60	2,71	111
16B1901521P+	16B-1	Simplex	1"	25,4	16	26,5	-	4	4	2,1	60	60	2,71	111
16B21172P+*	16B-2	Duplex	1"	25,4	15	25,5	-	4	4	4,21	106	106	5,42	111

*with solid centre plate

Chain design	Material	Straight side plates	Corrosion resistant	Surface treatment	Maintenance free	Lubrication
Simplex	Steel	No	No	No treatment	No	Yes
Duplex	Steel	No	No	No treatment	No	Yes

Connecting links: According to ISO



-111
Connecting link with cotted pin

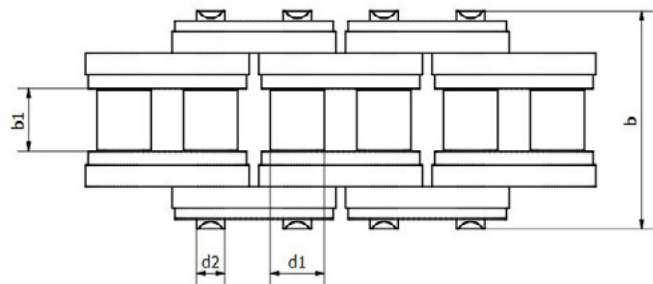
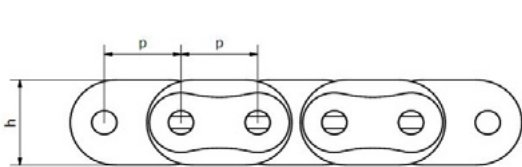


Plastic Chains are a light-weight yet strong and silent alternative to Steel Chains. Plastic Chains are used in many industries;

mainly in the wood, food and packaging Industry for conveying of various types.

Material	Straight side plates	Corrosion resistant	Surface treatment	Maintenance free	Lubrication
Steel	No	No	No treatment	No	Yes

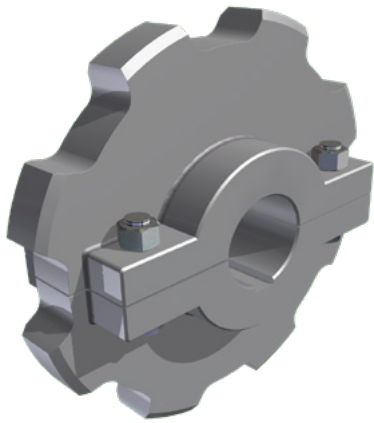
Simplex



Simplex												
Item no [Jens S]	ISO standard size	Pitch, p [inch]	Pitch, p [mm]	b1 min [mm]	d1 max [mm]	d2 max [mm]	h max [mm]	b max [mm]	Bearing area, [cm ²]	Breaking load supplier minimum [kN]	Weight [kg/m]	Connecting Links
16B1F9P+	16B-1	1"	25,4	17,02	15,88	8,28	30	61	2,1	22	3,7	111
16B1F1600P+	16B-1	1"	25,4	17,02	15,88	8,28	30	71	2,1	60	4,1	111

Both chains are delivered with connecting link with cottered pin (111)
 Material of plastic attachment: PA6
 Thickness of plastic attachment: 6 mm

* Total width of the F9 plastic chain is 64,0
 * Total width of the F16 plastic chain is 68,0



Conveyor



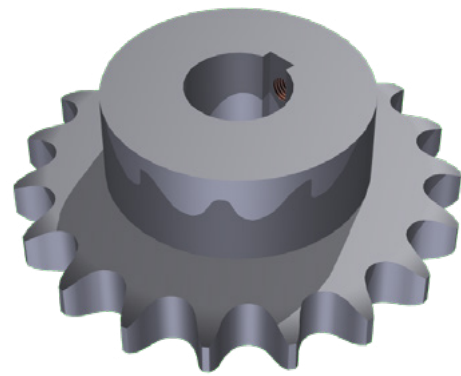
Plate wheels



Two Simplex



Taper Lock Bush



Pilot bore

Sprockets

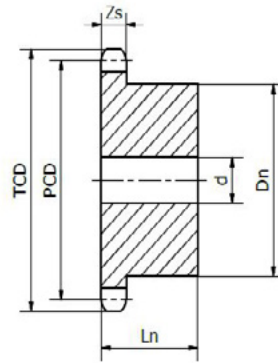
We stock a wide range of sprockets in sizes ranging from 04 to 32B

041

6 x 2,6 mm
Roller dia: 4 mm
Material C45
Welded: No
Hardened teeth: No

05B1

8 x 2,8 mm
Roller dia: 5 mm
Material C45
Welded: No W
Hardened teeth: No



Art.no example

05B1 19
No. of teeth
ISO Standard

041 Zs 2,6

Z	Item No [JENS S.]	PCD, [mm]	TCD, [mm]	Dn, [mm]	Ln, [mm]	Pilot bore diam. [mm]	Rec. max bore with keyway [mm]	Weight, [kg]
10	04110	19,42	21,7	13	10	6	7,8	0,0
11	04111	21,30	23,6	14	10	6	8,4	0,0
12	04112	23,18	25,4	16	10	6	9,6	0,0
14	04114	29,20	27,0	20	10	8	12	0,0
15	04115	28,86	31,0	20	10	8	12	0,0
16	04116	30,76	33,0	20	13	8	12	0,0
17	04117	32,65	35,0	20	13	8	12	0,0
18	04118	34,55	36,9	20	13	8	12	0,0
19	04119	36,44	38,8	20	13	8	12	0,0
20	04120	38,44	40,7	20	13	8	12	0,0
21	04121	40,25	42,6	25	13	8	15	0,1
22	04122	42,16	44,5	25	13	8	15	0,1
23	04123	44,06	46,4	25	13	8	15	0,1
24	04124	45,96	48,3	25	13	8	15	0,1
25	04125	47,87	50,2	25	13	8	15	0,1
26	04126	49,76	52,1	30	15	8	18	0,1
30	04130	57,42	59,8	30	15	8	18	0,1
31	04131	59,31	61,7	30	15	8	18	0,1
32	04132	61,28	63,6	30	15	8	18	0,1
36	04136	68,84	71,2	30	15	8	18	0,1
38	04138	72,66	75,0	30	15	8	18	0,2
39	04139	74,57	76,9	30	15	8	18	0,2
45	04145	86,01	88,5	40	16	10	24	0,5
50	04150	95,55	98,0	50	20	12	30	0,5
57	04157	108,93	111,4	50	20	12	30	0,5
76	04176	145,19	147,6	60	20	12	36	1,6

05B1 Zs 2,8

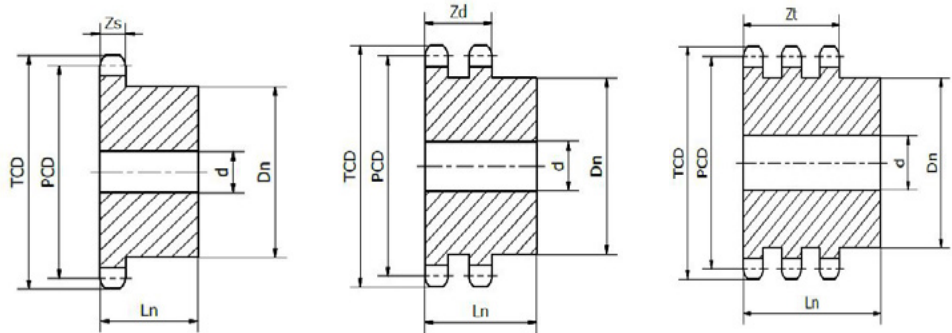
Z	Item No [JENS S.]	PCD, [mm]	TCD, [mm]	Dn, [mm]	Ln, [mm]	Pilot bore diam. [mm]	Rec. max bore with keyway [mm]	Weight, [kg]
8	05B108	20,90	24,0	13	12	6	7,8	0,0
9	05B109	23,39	26,6	15	12	6	9	0,0
10	05B110	25,89	29,2	17	12	8	10,2	0,0
11	05B111	28,39	31,7	18	13	8	10,8	0,0
12	05B112	30,91	34,2	20	13	8	12	0,0
13	05B113	33,42	36,7	23	13	8	13,8	0,0
14	05B114	35,95	39,2	25	13	8	15	0,1
15	05B115	39,48	41,7	28	13	8	16,8	0,1
16	05B116	41,01	44,3	30	14	8	18	0,1
17	05B117	43,53	46,8	30	14	8	18	0,1
18	05B118	46,07	49,3	30	14	8	18	0,1
19	05B119	48,61	51,9	30	14	8	18	0,1
20	05B120	51,14	54,4	30	14	8	18	0,1
21	05B121	53,68	57,0	35	14	8	21	0,1
22	05B122	56,21	59,5	35	14	8	21	0,1
23	05B123	58,75	62,0	35	14	8	21	0,1
24	05B124	61,29	64,6	35	14	8	21	0,1
25	05B125	63,83	67,5	35	14	8	21	0,1
27	05B127	68,91	72,2	40	16	10	24	0,2
29	05B129	73,99	77,3	40	16	10	24	0,2
30	05B130	76,53	79,8	40	16	10	24	0,2
32	05B132	81,61	84,9	40	16	10	24	0,2
33	05B133	84,16	87,5	40	16	10	24	0,2
34	05B134	86,70	90,0	40	16	10	24	0,2
36	05B136	91,79	95,0	40	16	10	24	0,5
37	05B137	94,33	97,6	40	16	10	24	0,3
38	05B138	96,88	100,0	40	16	10	24	0,3
45	05B145	114,69	118,0	60	20	12	36	0,6
50	05B150	127,41	131,0	60	20	12	36	0,6
57	05B157	145,22	149,0	80	20	14	48	1,0
76	05B176	193,59	198,0	80	25	20	48	1,9

3/8" x 7/32"
 9,525 x 5,72 mm
 Roller dia: 6,35 mm
 Material: C45
 Hardened teeth: No

Art.no example

06B1 19

No. of teeth
 ISO Standard



06B1 Zs 5,3

06B2 Zd 15,4

06B3 Zt 25,6

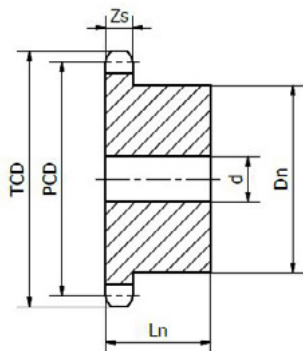
Number of teeth, Z	06B1 Zs 5,3							06B2 Zd 15,4					06B3 Zt 25,6				
	PCD, [mm]	TCD, [mm]	Dn, [mm]	Ln, [mm]	Pilot bore diam, [mm]	Weight, [kg]	Welded hub	Dn, [mm]	Ln, [mm]	Pilot bore diam, [mm]	Weight, [kg]	Welded hub	Dn, [mm]	Ln, [mm]	Pilot bore diam, [mm]	Weight, [kg]	Welded hub
8	24,89	28,0	15	22	6	0,0	No	15	22	6	0,0	No					
9	27,85	31,0	18	22	8	0,0	No										
10	30,82	34,0	20	22	8	0,1	No										
11	33,80	37,0	22	25	8	0,1	No	22	25	10	0,1	No	22	35	10	0,1	No
12	36,80	40,0	25	25	8	0,1	No	25	25	10	0,1	No	25	35	10	0,2	No
13	39,79	43,0	28	25	10	0,1	No	28	25	10	0,2	No					
14	42,80	46,3	31	25	10	0,2	No	31	25	10	0,2	No					
15	45,81	49,3	34	28	10	0,2	No	34	25	10	0,2	No	34	35	12	0,3	No
16	48,82	52,3	37	28	10	2,4	No	37	30	12	0,3	No					
17	51,83	55,3	40	28	10	0,3	No	40	30	12	0,3	No	40	35	12	0,4	No
18	54,85	58,3	43	28	10	0,3	No	43	30	12	0,4	No					
19	57,87	61,3	45	28	10	0,4	No	46	30	12	0,4	No					
20	60,89	64,3	46	28	10	0,4	No	49	30	12	0,5	No					
21	63,91	68,0	48	28	12	0,4	No	52	30	12	0,5	No	52	40	14	0,7	No
22	66,93	71,0	50	28	12	0,5	No										
23	69,95	73,5	52	28	12	0,5	No										
24	72,97	77,0	54	28	12	0,5	No	61	30	12	0,7	No					
25	76,00	80,0	57	28	12	0,6	No	64	30	12	0,8	No	64	40	14	1,1	No
26	79,02	83,0	60	28	12	0,7	No	67	30	12	0,9	No	67	40	14	1,2	No
27	82,05	86,0	60	28	12	0,7	No						70	40	14	1,3	No
28	85,07	89,0	60	28	12	0,7	No	73	30	12	1,0	No					
29	88,09	92,0	60	28	12	0,7	No										
30	91,12	94,7	60	30	12	0,7	No	79	30	12	1,2	No	79	40	14	1,6	No
31	94,15	98,3	65	30	14	0,9	No	80	30	16	1,3	No	80	40	16	1,7	No
32	97,17	101,3	65	30	14	0,9	No	80	30	16	1,3	No	80	40	16	1,8	No
33	100,20	104,3	65	30	14	0,9	No	80	30	16	1,4	No	80	40	16	1,9	No
34	103,23	107,3	65	30	14	0,9	No	80	30	16	1,4	No	85	40	16	2,1	No
35	106,26	110,4	65	30	14	0,9	No	90	30	16	1,5	No	85	40	16	2,2	No
36	109,29	113,4	70	30	16	1,1	No	90	30	16	1,7	No	90	40	16	2,3	No
37	112,32	116,4	70	30	16	1,1	No	90	30	16	1,8	No	90	40	16	2,4	No
38	115,37	119,5	70	30	16	1,1	No	16	30	16	1,8	No					
39	118,37	122,5	70	30	16	1,1	No	90	30	16	1,9	No	90	40	16	2,6	No
40	121,40	125,5	70	30	16	1,1	No	90	30	16	2,0	No	90	40	16	2,7	No
41	124,43	128,5	80	32	16	1,5	Yes										
42	127,46	131,6	80	32	16	1,6	Yes										
43	130,49	134,6	80	32	16	1,6	Yes										
45	136,54	140,7	80	32	16	1,7	Yes										
47	142,61	146,7	80	32	20	1,7	Yes										
46	139,58	143,7	80	32	20	1,7	Yes	90	40	16	2,9	No					
48	145,64	152,7	80	32	20	1,7	Yes										
49	148,66	152,7	80	32	20	1,7	Yes										
50	151,69	155,7	80	32	20	1,8	Yes										
51	154,72	158,7	80	32	20	1,8	Yes										
52	157,75	161,8	80	32	20	1,8	Yes										
54	163,82	167,8	80	32	20	1,8	Yes										
55	166,85	170,8	80	32	20	1,9	Yes										
56	169,88	173,8	80	32	20	1,9	Yes										
57	172,91	176,9	80	32	20	2,0	Yes	16	40	16	4,2	No	90	60	25	5,8	Yes
76	230,49	234,9	80	32	20	2,7	Yes	90	40	20	6,2	No	10	60	25	9,3	Yes
95	288,08	292,7	88	40	25	4,06	Yes	90	40	20	9,8	No	10	60	25	15,2	Yes

081

1/2" x 1/8"
12,7 x 3,3 mm
Roller dia: 7,75 mm
Material: C45
Hardened teeth: No

083 och 084

1/2" x 3/16"
12,7 x 4,88 mm
Roll: 7,75 mm
Material: C45
Hardened teeth: No



Art.no example

083 19
└── No. of teeth

081 Zs 3,0

Z	Item No [JENS S.]	PCD, [mm]	TCD, [mm]	Dn, [mm]	Ln, [mm]	Pilot bore diam. [mm]	Weight, [kg]	Welded hub
8	08108	33,17	37,2	21	14	8	0,0	No
9	08109	37,13	43,4	25	14	8	0,1	No
10	08110	41,10	46,2	28	14	8	0,1	No
11	08111	45,07	49,6	31	16	8	0,1	No
12	08112	49,07	53,9	35	16	8	0,1	No
13	08113	43,06	58,4	39	16	8	0,2	No
14	08114	57,07	62,8	43	16	8	0,2	No
15	08115	61,09	66,8	47	16	8	0,2	No
16	08116	65,10	70,9	50	18	10	0,3	No
17	08117	69,11	75,4	50	18	10	0,3	No
18	08118	73,14	79,4	50	18	10	0,3	No
19	08119	77,16	83,5	50	18	10	0,2	No
20	08120	81,19	87,5	50	18	10	0,3	No
21	08121	85,22	91,5	60	20	12	0,3	No
22	08122	89,24	95,5	60	20	12	0,3	No
23	08123	93,27	99,6	60	20	12	0,4	No
24	08124	97,29	103,6	60	20	12	0,4	No
25	08125	101,33	107,6	60	20	12	0,5	No
26	08126	105,36	111,7	70	20	16	0,6	No
27	08127	109,40	115,7	70	20	16	0,6	No
28	08128	113,42	119,7	70	20	16	0,7	No
29	08129	117,46	123,8	70	20	16	0,7	No
30	08130	121,50	127,8	70	20	16	0,7	No
31	08131	125,54	131,8	70	20	16	0,8	No
32	08132	129,56	135,5	70	20	16	0,8	No
33	08133	133,60	139,9	70	20	16	0,8	No
34	08134	137,64	143,9	70	20	16	0,8	No
35	08135	141,68	148,0	70	20	16	0,83	No
36	08136	145,72	152,0	70	25	16	1	No
37	08137	149,76	156,1	70	25	16	1,02	No
38	08138	153,80	160,1	70	25	16	1,04	No
39	08139	157,83	164,1	70	25	16	1,06	No
40	08140	161,87	168,2	70	25	16	1,09	No

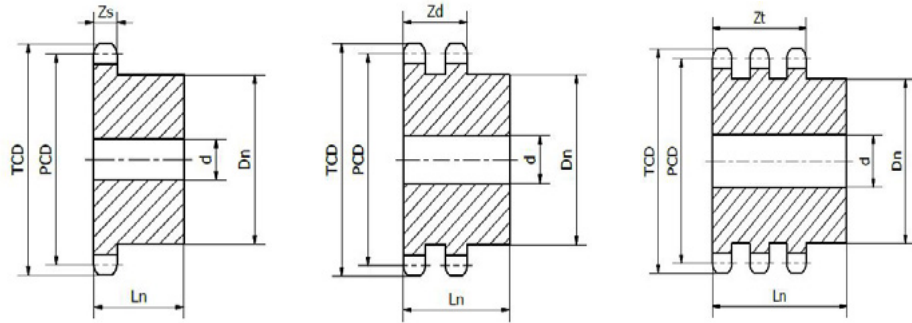
083 & 084 Zs 4,5

Z	Item No [JENS S.]	PCD, [mm]	TCD, [mm]	Dn, [mm]	Ln, [mm]	Pilot bore diam. [mm]	Weight, [kg]	Welded hub
8	08308	33,18	39,5	21	14	8	0,1	No
9	08309	37,13	41,5	25	14	8	0,1	No
10	08310	41,10	47,4	28	14	8	0,1	No
11	08311	45,07	49,6	31	16	8	0,1	No
12	08312	49,07	53,9	35	16	8	0,1	No
13	08313	43,06	58,4	39	16	8	0,2	No
14	08314	57,07	62,8	43	16	8	0,2	No
15	08315	61,09	66,8	47	16	8	0,2	No
16	08316	65,10	70,9	50	18	10	0,3	No
17	08317	69,11	74,9	50	18	10	0,3	No
18	08318	73,14	78,9	50	18	10	0,3	No
19	08319	77,16	82,9	50	18	10	0,3	No
20	08320	81,19	86,9	50	18	10	0,4	No
21	08321	85,22	91,5	60	20	12	0,5	No
22	08322	89,24	95,0	60	20	12	0,5	No
23	08323	93,27	99,0	60	20	12	0,5	No
24	08324	97,29	103,0	60	20	12	0,6	No
25	08325	101,33	107,1	60	20	12	0,6	No
26	08326	105,36	111,7	70	20	16	0,7	No
27	08327	109,40	115,4	70	20	16	0,7	No
28	08328	113,42	119,4	70	20	16	0,8	No
29	08329	117,46	123,4	70	20	16	0,8	No
30	08330	121,50	127,8	70	20	16	0,8	No
31	08331	125,54	131,8	70	20	16	0,8	No
32	08332	129,56	135,9	70	20	16	0,8	No
33	08333	133,60	139,9	70	20	16	0,9	No
34	08334	137,64	143,9	70	20	16	0,9	No
35	08335	141,68	148,0	70	20	16	0,9	No
36	08336	146,72	152,0	70	25	16	1,1	No
37	08337	149,76	156,1	70	25	16	1,1	No
38	08338	153,80	160,0	70	25	16	1,2	No
39	08339	157,83	164,1	70	25	16	1,2	No
40	08340	161,87	168,2	70	25	16	1,3	No

1/2" x 5/16"
12,7 x 7,75 mm
Roller dia: 8,51 mm
Material: C45
Hardened teeth: No

Art.no example

08B1 19
No. of teeth
ISO Standard

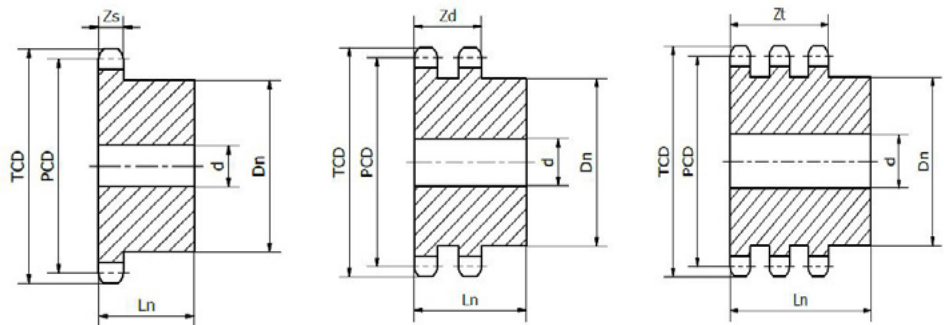


Number of teeth, Z	08B1 Zs 7,2							08B2 Zd 21					08B3 Zt 34,9				
	PCD, [mm]	TCD, [mm]	Dn, [mm]	Ln, [mm]	Pilot bore diam, [mm]	Weight, [kg]	Welded hub	Dn, [mm]	Ln, [mm]	Pilot bore diam, [mm]	Weight, [kg]	Welded hub	Dn, [mm]	Ln, [mm]	Pilot bore diam, [mm]	Weight, [kg]	Welded hub
8	33,18	37,2	20	25	10	0,1	No	20	32	10	0,1	No					
9	37,13	41,0	24	25	10	0,1	No	28	32	10	0,2	No					
10	41,10	45,2	26	25	10	0,1	No						28	46	12	0,2	No
11	45,08	48,7	29	25	10	0,1	No	32	35	12	0,2	No					
12	49,07	53,0	33	28	10	0,2	No	35	35	12	0,3	No					
13	53,07	57,4	37	28	10	0,3	No	38	35	12	0,4	No	38	50	14	0,5	No
14	57,07	61,8	41	28	10	0,3	No	42	35	12	0,4	No					
15	61,08	65,5	45	28	10	0,4	No	46	35	12	0,5	No	46	50	14	0,7	No
16	65,10	69,5	50	28	12	0,5	No	50	35	14	0,6	No	50	50	16	0,8	No
17	69,12	73,6	52	28	12	0,5	No	54	35	14	0,7	No	54	50	16	1,0	No
18	73,14	77,8	56	28	12	0,6	No	58	35	14	0,8	No	58	50	16	1,1	No
19	77,16	81,7	60	28	12	0,7	No	62	35	14	1,0	No	62	50	16	1,3	No
20	81,18	85,8	64	28	12	0,8	No	66	35	14	1,1	No	66	50	20	1,5	No
21	85,21	87,7	68	28	12	0,8	No	70	40	16	1,3	No	70	55	20	1,8	No
22	89,24	93,8	70	28	12	0,9	No	70	40	16	1,4	No	70	55	20	1,9	No
23	93,27	87,2	70	28	14	0,9	No	70	40	16	1,5	No	70	55	20	2,1	No
24	97,30	101,8	70	28	14	1,0	No	75	40	16	1,6	No					
25	101,33	105,8	70	28	14	1,0	No	80	40	16	1,8	No	80	55	20	2,6	No
26	105,36	110,0	70	30	16	1,1	No	85	40	20	2,0	No					
27	109,40	114,0	70	30	16	1,1	No	85	40	20	2,1	No	85	55	20	3,0	No
28	113,44	118,0	70	30	16	1,2	No	90	40	20	2,3	No	90	55	20	3,2	No
29	117,46	122,0	80	30	16	1,4	No	95	40	20	2,6	No	95	55	20	3,6	No
30	121,50	126,1	80	30	16	1,5	No	100	40	20	2,8	No	100	55	20	3,9	No
31	125,54	130,2	90	30	16	1,7	No	100	40	20	2,9	No	110	55	20	4,3	No
32	129,56	134,3	90	30	16	1,8	No	100	40	20	3,0	No	110	55	20	4,5	No
33	133,60	138,4	90	30	16	1,8	No	100	40	20	3,1	No	110	55	20	4,7	No
34	137,64	142,6	90	30	16	1,9	No	100	40	20	3,3	No	110	55	20	5,0	No
35	141,68	146,7	90	30	16	1,9	No	100	40	20	3,4	No	110	55	20	5,2	No
36	145,72	151,0	90	35	16	2,2	No	100	40	20	3,5	No	110	55	20	5,6	No
37	149,76	154,6	90	35	16	2,3	No	110	40	20	3,7	No	120	55	25	5,9	No
38	153,80	158,6	90	35	16	2,3	No	110	40	20	3,8	No	120	55	25	6,1	No
39	157,83	162,7	90	35	16	2,4	No						120	55	25	6,4	No
40	161,87	166,8	90	35	16	2,4	No	110	40	20	4,2	No	120	55	25	6,7	No
41	165,91	171,4	90	40	20	2,7	Yes										
42	169,95	175,4	90	40	20	2,8	Yes										
43	173,99	179,7	90	40	20	1,9	Yes										
44	178,02	183,8	90	40	20	1,9	Yes										
45	182,07	188,0	100	40	20	3,0	Yes	110	50	20	6,3	Yes					
46	186,10	192,1	90	40	20	3,1	Yes	110	50	20	6,4	Yes	120	60	25	8,5	Yes
47	190,14	196,2	90	40	20	3,2	Yes										
48	194,18	200,3	90	40	20	3,2	Yes										
50	202,26	208,3	90	40	20	3,3	Yes										
51	206,30	212,1	90	40	20	3,4	Yes	110	50	20	7,1	Yes					
52	210,34	216,1	90	40	20	3,4	Yes										
54	218,43	224,1	90	40	20	3,0	Yes										
55	222,46	228,1	90	40	20	3,6	Yes										
57	230,54	236,4	90	40	25	3,8	Yes										
72	291,16	297,2	90	40	25	5,2	Yes	110	50	25	8,6	Yes	120	60	25	13,3	Yes
76	307,32	312,3	90	40	25	5,6	Yes	110	56	25	13,9	Yes	120	60	30	21,8	Yes
95	384,11	380,1	90	40	25	8,0	Yes	110	56	25	21,1	Yes					
114	460,90	466,9	90	40	25	10,8	Yes	110	56	25	28,0	Yes	136	60	30	46,0	No

5/8" x 3/8"
15,875 x 9,65 mm
Roller dia: 10,61 mm
Material: C45
Hardened teeth: No

Art.no example

10B1 19
No. of teeth
ISO Standard



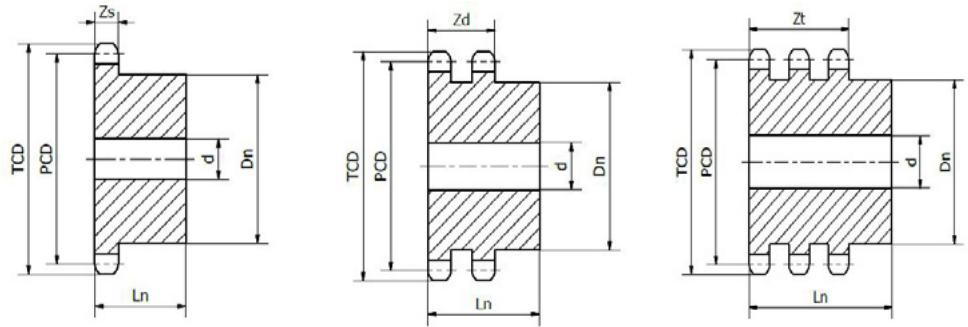
10B1 Zs 9,1

10B2 Zd 25,5

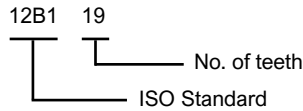
10B3 Zt 42,1

Number of teeth, Z	10B1 Zs 9,1								10B2 Zd 25,5					10B3 Zt 42,1					
	PCD, [mm]	TCD, [mm]	Dn, [mm]	Ln, [mm]	Pilot bore diam, [mm]	Weight, [kg]	Welded hub		Dn, [mm]	Ln, [mm]	Pilot bore diam, [mm]	Weight, [kg]	Welded hub		Dn, [mm]	Ln, [mm]	Pilot bore diam, [mm]	Weight, [kg]	Welded hub
8	41,48	47,0	25	25	10	0,1	No		25	40	12	0,2	No						
9	46,42	52,6	30	25	10	0,2	No								30	55	12	0,4	No
10	51,37	57,5	35	25	10	0,2	No		35	40	12	0,4	No						
11	56,34	63,0	37	30	12	0,3	No												
12	61,34	68,0	42	30	12	0,4	No		44	40	14	0,5	No						
13	66,34	73,0	47	30	12	0,5	No		49	40	14	0,7	No		49	55	16	1,0	No
14	71,34	78,0	52	30	12	0,6	No		54	40	14	0,8	No						
15	76,36	83,0	57	30	12	0,7	No		59	40	14	1,0	No		59	55	16	1,4	No
16	81,37	88,0	60	30	12	0,8	No		64	45	16	1,3	No		64	60	16	1,7	No
17	86,39	93,0	60	30	12	0,9	No		69	45	16	1,5	No		69	60	16	2,0	No
18	91,42	98,3	70	30	14	1,0	No		74	45	16	1,7	No						
19	96,45	103,3	70	30	14	1,2	No		79	45	16	1,9	No		79	60	16	2,6	No
20	101,48	108,4	75	30	14	1,2	No		84	45	16	2,1	No		84	60	16	2,9	No
21	106,52	113,4	75	30	16	1,3	No		85	45	16	2,3	No		85	60	20	3,1	No
22	111,55	118,0	80	30	16	1,4	No		90	45	16	2,5	No		95	60	20	3,9	No
23	116,58	123,4	80	30	16	1,5	No		95	45	16	2,8	No		100	60	20	4,3	No
24	121,62	128,3	80	30	16	1,5	No		100	45	16	3,1	No		105	60	20	4,7	No
25	126,66	134,0	80	30	16	1,6	No		105	45	16	3,4	No						
26	131,70	139,0	85	35	20	2,0	No		110	45	20	3,7	No						
27	136,74	144,0	85	35	20	2,0	No		110	45	20	3,9	No		110	60	20	5,4	No
28	141,80	148,7	90	35	20	2,3	No		115	45	20	4,3	No		115	60	20	5,9	No
29	146,83	153,8	90	35	20	2,3	No								115	60	20	6,3	No
30	151,87	158,8	90	35	20	2,4	No		120	45	20	4,9	No						
31	156,92	163,9	95	35	20	2,6	No		120	45	20	5,1	No						
32	161,95	168,9	95	35	20	2,7	No		120	45	20	5,3	No						
33	167,00	174,5	95	35	20	2,8	No		120	45	20	5,6	No		120	60	20	7,6	No
34	172,05	179,0	95	35	20	2,9	No								120	60	20	8,0	No
35	177,10	184,1	95	35	20	3,0	No		120	45	20	6,1	No		120	60	20	8,7	No
36	182,15	189,1	100	35	20	3,3	No								120	60	25	9,1	No
37	187,20	194,2	100	35	20	3,4	No		120	45	20	6,7	No						
38	192,24	199,2	100	35	20	3,5	No		120	45	20	6,9	No		120	60	25	10,1	No
39	197,29	204,2	100	35	20	3,6	No								120	60	25	10,6	No
40	202,34	209,3	100	35	20	3,7	No		120	45	20	7,5	No		120	60	25	11,1	No
41	207,39	214,8	100	40	20	3,8	Yes												
42	212,44	219,9	100	40	20	4,7	Yes												
43	217,49	224,9	100	40	20	4,2	Yes												
45	227,58	235,0	100	40	20	5,1	Yes		130	50	20	10,3	Yes						
46	232,63	240,1	100	40	20	5,19	Yes		130	50	25	10,7	Yes		130	60	25	15,0	Yes
48	242,73	250,2	100	40	20	5,4	Yes												
50	252,82	260,3	100	40	20	5,7	Yes												
51	257,87	265,3	100	40	20	5,4	Yes												
52	262,92	270,4	100	40	20	5,5	Yes												
53	267,97	275,4	100	40	20	5,6	Yes												
54	273,03	280,5	100	40	20	5,8	Yes												
55	278,08	285,5	100	40	20	6,4	Yes												
56	283,13	290,6	100	40	25	6,2	Yes												
57	288,18	296,0	100	40	25	6,7	Yes		130	50	25	14,7	Yes		130	60	25	23,4	Yes
76	384,15	392,1	100	50	25	10,3	Yes												
95	480,14	488,5	118	59	30	16,36	Yes		130	63	30	38,9	Yes		130	67	30	29,0	Yes

3/4" x 7/16"
 19,05 x 11,68 mm
 Roller dia: 12,07 mm
 Material: C45
 Hardened teeth: No



Art.no example

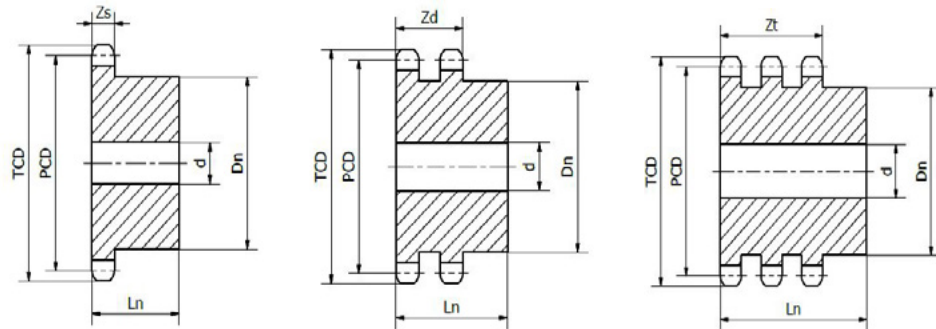


Number of teeth, Z	12B1 Zs 11,1							12B2 Zs 30,3					12B3 Zt 49,6				
	PCD, [mm]	TCD, [mm]	Dn, [mm]	Ln, [mm]	Pilot bore diam, [mm]	Weight, [kg]	Welded hub	Dn, [mm]	Ln, [mm]	Pilot bore diam, [mm]	Weight, [kg]	Welded hub	Dn, [mm]	Ln, [mm]	Pilot bore diam, [mm]	Weight, [kg]	Welded hub
8	49,78	57,6	31	30	12	0,21	No	31	45	12	0,8	No	31	65	16	0,45	No
9	55,70	62,0	37	30	12	0,3	No	37	45	12	1,2	No	37	65	20	0,6	No
10	61,64	69,0	42	30	12	0,4	No	42	45	12	1,5	No					
11	67,64	75,0	46	35	14	0,5	No	47	50	16	2,1	No	47	70	20	1,1	No
12	73,61	81,5	52	35	14	0,6	No	53	50	16	2,6	No	53	70	20	1,4	No
13	79,60	87,5	58	35	14	0,8	No	59	50	16	3,2	No	59	70	20	1,7	No
14	85,61	93,6	64	35	14	1,0	No	65	50	16	3,8	No	65	70	20	2,1	No
15	91,62	99,8	70	35	14	1,2	No	71	50	16	4,5	No	71	70	20	2,5	No
16	97,65	105,5	75	35	16	1,3	No	77	50	20	5,2	No	77	70	20	2,9	No
17	103,67	111,5	80	35	16	1,5	No	83	50	20	6,0	No	83	70	20	3,3	No
18	109,71	188,0	80	35	16	1,6	No	89	50	20	6,8	No					
19	155,74	124,2	80	35	16	1,7	No	95	50	20	7,8	No	95	70	20	4,3	No
20	121,78	129,7	80	35	16	1,8	No	100	50	20	8,5	No	100	70	20	4,9	No
21	127,82	136,0	90	40	20	2,4	No	100	50	20	9,2	No	100	70	20	5,2	No
22	133,86	141,8	90	40	20	2,5	No	100	50	20	10,0	No					
23	139,90	149,0	90	40	20	2,6	No	110	50	20	10,8	No	110	70	20	6,4	No
24	145,95	153,9	90	40	20	2,7	No	110	50	20	11,6	No					
25	151,99	160,0	90	40	20	2,8	No	120	50	20	12,5	No	120	70	20	7,7	No
26	158,04	165,9	95	40	20	3,1	No	120	50	20	13,4	No	120	70	20	8,2	No
27	164,09	172,3	95	40	20	3,2	No	120	50	20	14,4	No					
28	170,13	178,0	95	40	20	3,3	No	120	50	20	15,4	No	120	70	20	9,4	No
29	176,20	184,1	95	40	20	3,5	No	120	50	20	16,4	No					
30	182,25	190,5	95	40	20	3,6	No	120	50	20	17,5	No	120	70	20	10,6	No
31	188,31	196,3	100	40	20	3,8	No	130	50	20	19,0	No	130	70	25	11,5	No
32	194,36	203,3	100	40	20	3,9	No						130	70	25	12,2	No
33	200,40	209,3	100	40	20	4,1	No	130	50	20	21,3	No	130	70	25	12,9	No
34	206,46	214,6	100	40	20	4,3	No	130	50	20	22,2	No	130	70	25	13,6	No
35	212,52	221,0	100	40	20	4,4	No	130	50	20	23,8	No	130	70	25	14,4	No
36	218,58	226,8	100	40	20	4,7	No	130	50	25	25,1	No	130	70	25	15,1	No
37	224,64	232,9	100	40	20	4,9	No						130	70	25	15,9	No
38	230,69	239,0	100	40	20	5,1	No	130	50	25	27,8	No	130	70	25	16,7	No
39	236,75	245,1	100	40	20	5,3	No	130	50	25	29,2	No	130	70	25	17,6	No
40	242,81	251,3	100	40	20	5,5	No						130	70	25	18,4	No
41	248,87	257,3	110	56	25	7,3	Yes										
42	254,93	264,5	110	56	25	8,2	Yes										
43	260,98	270,5	110	56	25	7,8	Yes										
44	267,04	276,5	110	56	25	8,0	Yes										
45	273,10	282,5	110	56	25	8,9	Yes	140	63	25	38,4	Yes					
46	279,16	287,9	110	56	25	9,2	Yes	140	63	25	40,1	Yes					
47	285,21	294,0	110	56	25	8,6	Yes										
48	291,27	300,1	110	56	25	9,7	Yes										
49	297,33	306,2	110	56	25	9,0	Yes										
50	303,39	312,3	110	56	25	10,2	Yes										
51	309,45	317,4	110	56	25	9,3	Yes										
53	321,56	330,5	110	56	25	10,1	Yes										
54	327,64	336,6	118	50	25	10,4	Yes										
56	339,75	348,7	110	56	25	10,9	Yes										
57	345,81	355,4	110	56	25	11,8	Yes	140	63	25	63,5	Yes					
76	460,98	469,9	110	56	30	18,0	Yes	140	63	30	110,8	Yes	140	70	30	65,4	Yes
95	576,17	585,1	110	56	30	27,5	Yes	140	63	30	179,5	Yes					
114	691,36	700,6	110	56	30	36,0	Yes	140	63	30	190,3	Yes					

1" x 17,02 mm
25,4 x 17,02 mm
Roller dia: 15,88 mm
Material: C45
Hardened teeth: No

Art.no example

16B1 19
No. of teeth
ISO Standard



16B1 Zs 16,2

16B2 Zd 47,7

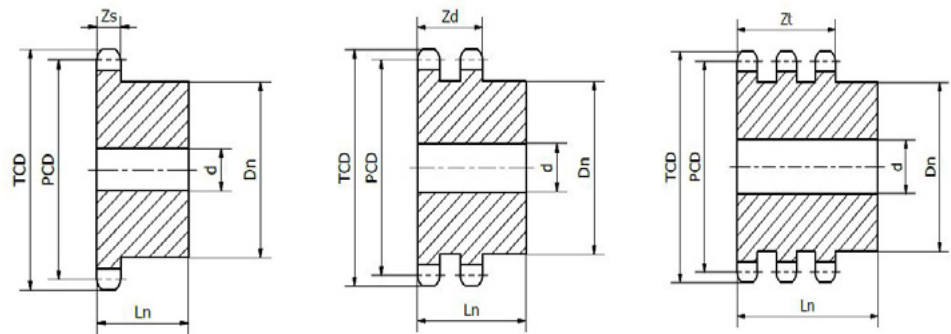
16B3 Zt 79,6

Number of teeth, Z	16B1 Zs 16,2							16B2 Zd 47,7					16B3 Zt 79,6				
	PCD, [mm]	TCD, [mm]	Dn, [mm]	Ln, [mm]	Pilot bore diam, [mm]	Weight, [kg]	Welded hub	Dn, [mm]	Ln, [mm]	Pilot bore diam, [mm]	Weight, [kg]	Welded hub	Dn, [mm]	Ln, [mm]	Pilot bore diam, [mm]	Weight, [kg]	Welded hub
8	66,37	77,0	42	35	16	0,5	No										
9	74,27	85,0	50	35	16	0,7	No										
10	82,19	93,0	55	35	16	0,8	No	56	65	16	1,5	No	56	95	20	2,2	No
11	90,14	99,5	61	40	16	1,1	No	64	70	20	2,1	No	64	100	25	2,9	No
12	98,14	109,0	69	40	16	1,4	No	72	70	20	2,6	No					
13	106,12	117,0	78	40	16	1,8	No	80	70	20	3,2	No	80	100	25	4,5	No
14	114,15	125,0	84	40	16	2,1	No	88	70	20	3,8	No					
15	122,17	133,0	92	40	16	2,5	No	96	70	20	4,5	No	96	100	25	6,4	No
16	130,20	141,0	100	45	20	3,1	No	104	70	20	5,2	No	104	100	30	7,4	No
17	138,23	149,0	100	45	20	3,3	No	112	70	20	6,0	No	112	100	30	8,6	No
18	146,27	157,0	100	45	20	3,6	No	120	70	20	6,8	No	120	100	30	9,8	No
19	154,32	165,2	100	45	20	3,8	No	128	70	20	7,8	No	128	100	30	11,2	No
20	162,37	173,2	100	45	20	4,0	No	130	70	20	8,5	No					
21	170,42	181,2	110	50	20	5,0	No	130	70	25	9,2	No	130	100	30	13,6	Yes
22	178,48	189,3	110	50	20	5,3	No	130	70	25	10,0	Yes					
23	186,54	197,5	110	50	20	5,6	No	130	70	25	10,8	Yes	130	100	30	16,1	Yes
24	194,60	204,5	110	50	20	5,9	No	130	70	25	11,6	Yes	130	100	30	17,5	Yes
25	202,66	213,5	110	50	20	6,2	No	130	70	25	12,5	Yes	130	100	30	19,0	Yes
26	210,72	221,6	120	50	20	7,0	No										
27	218,79	229,6	120	50	20	7,3	No	130	70	25	14,4	Yes	130	100	30	21,9	Yes
28	226,85	237,7	120	50	20	7,6	No	130	70	25	15,4	Yes	130	100	30	23,6	Yes
29	234,92	245,8	120	50	20	8,0	No										
30	245,00	254,0	120	50	20	8,4	Yes	130	70	25	17,5	Yes	130	100	30	27,1	Yes
31	251,08	262,0	120	50	25	8,7	Yes	140	70	25	19,0	Yes	140	100	30	29,2	Yes
32	259,13	270,0	120	50	25	9,1	Yes						140	100	30	31,1	Yes
33	267,21	278,5	120	50	25	9,5	Yes	140	70	25	21,3	Yes	140	100	30	33,1	Yes
34	275,28	287,0	120	50	25	9,9	Yes	140	70	25	22,2	Yes	140	100	30	35,1	Yes
35	283,36	296,2	120	50	25	10,4	Yes	140	70	25	23,8	Yes	140	100	30	37,2	Yes
36	291,44	304,6	120	50	25	10,8	Yes						140	100	30	39,4	Yes
37	299,51	312,6	120	50	25	11,3	Yes	140	70	25	25,4	Yes	140	100	30	44,0	Yes
38	307,59	320,7	120	50	25	11,8	Yes	140	70	25	27,8	Yes	140	100	30	43,9	Yes
39	315,67	325,8	120	50	25	12,2	Yes										
40	323,75	336,9	120	50	25	12,7	Yes										
41	331,82	345,0	125	70	25	15,0	Yes										
42	339,90	353,0	125	70	25	16,5	Yes										
43	347,98	361,0	125	70	25	16,0	Yes										
44	356,06	369,1	125	70	25	17,0	Yes										
45	364,13	377,1	125	70	25	18,2	Yes	140	70	25	38,4	Yes					
46	372,21	385,2	125	70	25	18,7	Yes	150	85	30	40,1	Yes					
47	380,29	393,2	125	70	30	18,0	Yes										
48	388,36	401,3	125	70	30	19,9	Yes										
49	396,44	409,3	125	70	30	20,0	Yes										
50	404,52	417,4	125	70	30	20,9	Yes										
51	412,60	425,5	125	70	30	21,0	Yes										
53	428,75	441,7	125	70	30	22,0	Yes										
55	444,93	457,9	125	70	30	24,0	Yes										
56	453,01	466,0	125	70	30	25,0	Yes										
57	461,08	474,0	125	70	30	25,5	Yes	160	95	40	63,5	Yes	180	110	40	103,3	Yes
76	614,64	627,0	140	80	30	43,0	Yes						180	110	40	180,0	Yes
95	768,22	781,1											180	110	40	283,9	Yes
114	921,81	934,3						160	116	40	246,0	Yes					

1"1/4 x 3/4"mm
31,75 x 19,56 mm
Roller dia: 19,05 mm
Material: C45
Hardened teeth: No

Art.no example

20B1 19
No. of teeth
ISO Standard



20B1 Zs 28,55

20B2 Zd 54,6

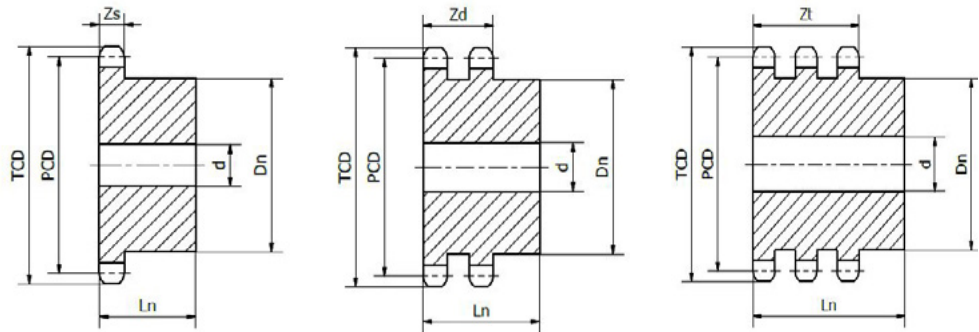
20B3 Zt 91,0

Number of teeth, Z	20B1 Zs 28,55							20B2 Zd 54,6					20B3 Zt 91,0				
	PCD, [mm]	TCD, [mm]	Dn, [mm]	Ln, [mm]	Pilot bore diam, [mm]	Weight, [kg]	Welded hub	Dn, [mm]	Ln, [mm]	Pilot bore diam, [mm]	Weight, [kg]	Welded hub	Dn, [mm]	Ln, [mm]	Pilot bore diam, [mm]	Weight, [kg]	Welded hub
8	82,96	98,1	53	40	20	0,9	No						53	110	20	2,2	No
9	92,84	108,0	63	40	20	1,2	No	63	75	20	2,2	No	63	110	20	3,1	No
10	102,74	117,9	70	40	20	1,5	No	70	75	20	2,8	No	70	110	20	4,0	No
11	112,68	127,8	77	45	20	20,4	No						80	115	20	5,2	No
12	122,68	137,8	88	45	20	2,6	No	90	80	20	4,7	No	90	115	20	6,6	No
13	132,65	147,8	98	45	20	3,2	No	100	80	20	5,7	No	100	115	20	8,1	No
14	142,68	157,8	108	45	20	3,8	No	110	80	20	6,8	No	110	115	20	9,7	No
15	152,71	167,9	118	45	20	4,5	No	120	80	20	8,1	No	120	115	20	11,5	No
16	162,75	177,9	120	50	25	5,2	No	120	80	25	8,9	No	120	115	25	13,1	No
17	172,79	187,9	120	50	25	5,6	No	120	80	25	9,9	No	120	115	25	14,7	No
18	182,85	198,0	120	50	25	6,0	No	120	80	25	11,0	Yes	120	115	25	16,5	Yes
19	192,90	208,1	120	50	25	6,4	No	120	80	25	12,2	Yes	120	115	25	18,5	Yes
20	203,00	218,1	120	50	25	6,8	No	120	80	25	13,4	Yes	120	115	25	20,5	Yes
21	213,03	228,2	140	55	25	8,8	No	140	80	25	15,5	Yes	140	115	25	23,9	Yes
22	223,10	238,3	140	55	25	9,3	No	140	80	25	16,9	Yes	140	115	25	25,6	Yes
23	233,17	248,3	140	55	25	9,8	No	140	80	25	18,3	Yes	140	115	25	28,0	Yes
24	243,23	258,4	140	55	25	10,3	No						140	115	25	30,5	Yes
25	253,32	268,5	140	55	25	10,8	No	140	80	25	21,4	Yes	140	115	25	33,1	Yes
26	263,40	278,6	150	55	25	12,1	Yes	150	80	25	23,4	Yes					
27	273,49	288,6	150	55	25	12,7	Yes	150	80	25	25,2	Yes	150	115	25	39,1	Yes
28	283,56	298,7	150	55	25	13,3	Yes										
29	293,65	308,8	150	55	25	13,9	Yes	150	80	25	28,8	Yes					
30	303,75	318,9	150	55	25	14,6	Yes	150	80	25	30,7	Yes	150	115	25	48,2	Yes
31	313,85	329,0	150	55	30	15,28	Yes	150	80	25	32,7	Yes					
32	323,91	339,1	160	55	30	16,0	Yes	150	80	25	34,7	Yes					
33	334,01	349,2	160	55	30	16,7	Yes										
35	354,20	369,4	160	55	30	18,3	Yes	150	80	25	41,3	Yes					
36	364,30	379,5	160	55	30	19,1	Yes										
38	384,48	399,6	160	55	30	20,8	Yes	150	80	30	48,5	Yes	150	115	30	77,7	Yes
39	394,59	409,5	150	55	30	21,73	Yes	150	80	30	54,0	Yes					
40	404,69	419,8	160	55	30	22,5	Yes	150	80	30	53,6	Yes					
41	414,78	429,9	150	70	30	26,0	Yes										
43	434,97	450,1	150	70	30	28,0	Yes										
45	455,17	470,3	150	70	30	31,8	Yes										
46	465,25	480,4	150	70	30	32,8	Yes	160	90	30	74,3	Yes					
57	576,36	691,5	150	80	30	45,8	Yes	180	100	40	116,3	Yes	200	123	40	181,2	Yes

1"1/2 x 1"mm
 38,1 x 25,4 mm
 Roller dia: 25,4 mm
 Material: C45
 Hardened teeth: No

Art.no example

24B1 19
 No. of teeth
 ISO Standard



24B1 Zs 24,1

24B2 Zd 72,0

24B3 Zt 120,3

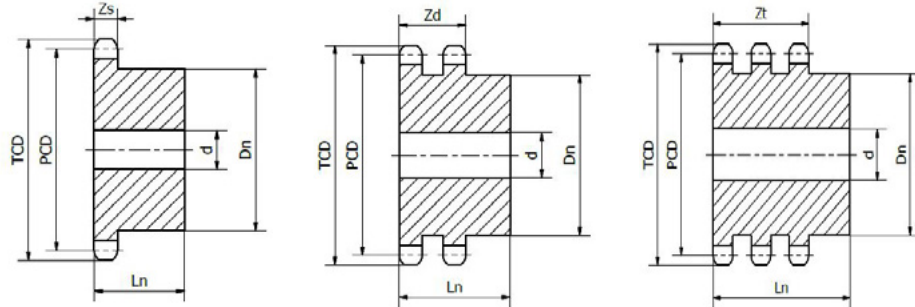
Number of teeth, Z	PCD, [mm]	TCD, [mm]	Dn, [mm]	Ln, [mm]	Pilot bore diam, [mm]	Weight, [kg]	Welded hub	24B2 Zd 72,0			24B3 Zt 120,3						
								Dn, [mm]	Ln, [mm]	Pilot bore diam, [mm]	Weight, [kg]	Welded hub	Dn, [mm]	Ln, [mm]	Pilot bore diam, [mm]	Weight, [kg]	Welded hub
8	99,55	115,0	58	45	20	1,4	No	58	95	25	2,7	No	58	140	25	4,0	No
9	111,40	126,4	70	45	20	1,9	No						70	140	25	5,6	No
10	123,29	138,0	80	45	20	2,5	No	80	95	25	5,0	No	80	140	25	7,5	No
11	135,21	150,0	90	50	25	3,3	No	90	100	25	6,6	No	90	150	25	9,7	No
12	147,22	162,0	102	50	25	4,1	No	102	100	25	8,3	No	102	150	25	12,2	No
13	159,18	174,2	114	50	25	5,0	No	114	100	25	10,1	No	114	150	25	15,0	No
14	171,22	186,2	128	50	25	6,1	No	128	100	25	12,2	No	128	150	25	18,2	No
15	183,25	198,2	140	50	25	6,8	Yes	140	100	25	14,1	No	140	150	25	21,1	No
16	195,30	210,3	140	55	25	8,2	Yes	150	100	25	15,9	Yes	150	150	25	24,2	Yes
17	207,35	222,3	140	55	25	8,9	Yes	150	100	25	17,8	Yes	150	150	25	27,4	Yes
18	219,42	234,3	140	55	25	9,6	Yes						160	150	25	32,1	Yes
19	231,48	246,5	140	55	25	10,4	Yes	160	100	25	23,3	Yes	160	150	25	35,7	Yes
20	243,57	258,6	140	55	25	11,2	Yes	160	100	25	25,6	Yes	160	150	25	39,6	Yes
21	256,65	270,6	150	60	25	13,3	Yes	160	100	25	28,0	Yes	160	150	30	43,0	Yes
22	267,73	282,7	150	60	30	14,24	Yes	160	100	25	30,6	Yes	160	150	30	47,2	Yes
23	279,80	294,8	150	60	30	15,2	Yes	160	100	25	33,3	Yes	160	150	30	51,7	Yes
24	291,88	306,8	150	60	30	16,2	Yes	160	100	25	36,1	Yes	160	150	30	56,4	Yes
25	303,99	319,0	150	60	30	17,2	Yes	160	100	25	39,1	Yes	160	150	30	61,4	Yes
26	316,08	331,0	160	60	30	18,3	Yes						160	150	30	66,5	Yes
27	328,20	343,0	160	60	30	19,4	Yes	160	100	30	45,4	Yes	160	150	30	71,9	Yes
28	340,27	355,2	160	60	30	20,5	Yes	160	100	30	48,8	Yes	160	150	30	77,5	Yes
29	352,38	367,3	160	60	30	21,7	Yes										
30	364,50	379,5	160	60	30	23,0	Yes	160	100	30	55,9	Yes	160	150	40	89,3	Yes
38	461,38	476,2	160	60	30	34,5	Yes	170	100	30	89,1	Yes	170	150	40	145,3	Yes
40	485,62	500,6	160	60	30	37,8	Yes										
46	558,32	573,3	160	90	30	56,0	Yes	180	100	30	138,0	Yes					
57	691,63	706,5	160	100	30	80,3	Yes	200	110	40	209,9	Yes	200	153	40	337,6	Yes
95	1152,33	1167,3	170	100	40	203,0	Yes										

28B

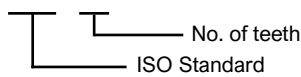
1"3/4 x 1" 1/4 mm
44,45 x 30,99 mm
Roller dia: 27,94 mm
Material: C45
Hardened teeth: No

32B

2" x 1"1/4 mm
50,8 x 30,99 mm
Roller dia: 29,21 mm
Material: C45
Hardened teeth: No

**Art.no example**

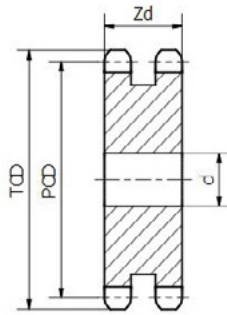
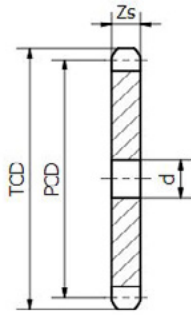
28B1 19

**28B1 Zs 29,4****28B2 zd 88,4****28B3 Zt 148,0**

Number of teeth, Z	PCD, [mm]	TCD, [mm]	Dn, [mm]	Ln, [mm]	Pilot bore diam, [mm]	Weight, [kg]	Welded hub	Dn, [mm]	Ln, [mm]	Pilot bore diam, [mm]	Weight, [kg]	Welded hub	Dn, [mm]	Ln, [mm]	Pilot bore diam, [mm]	Weight, [kg]	Welded hub
8	116,15	132,0	74	70	25	2,9	No	74	120	25	4,8	No	74	180	30	7,0	No
9	129,96	148,4	88	70	25	4,0	No	88	120	25	6,7	No	88	180	30	9,9	No
10	143,85	162,3	100	70	25	5,2	No	100	120	25	8,8	No	100	180	30	13,1	No
11	157,77	176,3	112	70	25	6,5	No	112	120	25	11,2	No	112	180	30	16,7	No
12	171,74	189,5	125	70	25	8,0	No	125	120	25	13,9	No	125	180	30	20,8	No
13	185,74	204,2	130	70	25	8,9	Yes	130	120	25	16,3	Yes	130	180	30	24,7	Yes
15	213,79	232,3	145	70	25	10,8	Yes	145	120	25	22,6	Yes	145	180	30	34,6	Yes
17	241,91	260,0	160	75	30	16,1	Yes	160	120	30	29,7	Yes	160	180	30	45,8	Yes
19	270,06	289,0	160	75	30	18,6	Yes	180	120	30	38,1	Yes	180	180	30	58,1	Yes
21	298,24	317,0	170	75	30	21,3	Yes	180	120	30	49,1	Yes	180	180	30	71,3	Yes
23	326,44	345,0	170	75	30	24,4	Yes	180	120	30	54,9	Yes	180	180	30	85,9	Yes
25	354,65	373,0	170	75	30	27,7	Yes	180	120	30	64,6	Yes	180	180	40	112,1	Yes
30	425,24	444,0	170	75	30	37,3	Yes	180	120	30	92,2	Yes	180	180	40	148,8	Yes
38	538,27	557,0	180	75	30	58,4	Yes	200	120	30	149,9	Yes	200	180	40	244,0	Yes
45	637,22	656,0	180	90	30	79,1	Yes										
57	806,90	825,0	180	100	40	125,1	Yes										
76	1075,62	1095,0	200	100	40	215,5	Yes										

32B1 Zs 29,4**32B2 zd 87,4****28B3 Zt 146,0**

Number of teeth, Z	PCD, [mm]	TCD, [mm]	Dn, [mm]	Ln, [mm]	Pilot bore diam, [mm]	Weight, [kg]	Welded hub	Dn, [mm]	Ln, [mm]	Pilot bore diam, [mm]	Weight, [kg]	Welded hub	Dn, [mm]	Ln, [mm]	Pilot bore diam, [mm]	Weight, [kg]	Welded hub
8	132,69	153,2	82	80	25	4,2	No	82	120	30	6,7	No	82	180	35	9,9	No
9	148,54	169,0	100	80	30	5,78	No	88	120	30	9,1	No	88	180	35	13,7	No
10	164,44	185,0	115	80	30	7,60	No	104	120	30	12,0	No	104	180	35	18,0	No
11	180,34	200,8	120	80	30	9,3	No	120	120	35	14,8	No	120	180	35	22,2	No
12	196,29	216,8	133	80	30	10,9	Yes	133	120	35	18,0	Yes	133	180	35	27,2	Yes
13	212,29	232,8	145	80	30	13,1	Yes	145	120	35	21,7	Yes	145	180	35	33,0	Yes
14	228,29	248,8	160	80	30	14,2	Yes	145	120	35	25,03	Yes	145	180	35	38,50	Yes
15	244,30	264,8	160	80	30	15,5	Yes	160	120	35	29,3	Yes	160	180	35	45,0	Yes
17	276,40	296,9	170	90	30	21,3	Yes	180	120	40	38,8	Yes	180	180	40	61,5	Yes
18	292,55	313,0	170	90	30	22,9	Yes										
19	308,66	329,1	170	90	30	24,6	Yes	200	120	40	49,5	Yes	200	180	30	76,7	Yes
21	340,82	361,3	180	90	40	30,4	Yes	200	120	40	59,9	Yes	200	180	40	93,9	Yes
23	373,07	393,6	180	90	40	34,6	Yes	200	120	40	71,4	Yes	200	180	40	112,9	Yes
25	405,32	425,8	180	90	40	38,7	Yes	200	120	40	83,7	Yes	200	180	40	133,9	Yes
38	615,14	635,3	180	90	40	79,3	Yes										
45	728,26	751,0	180	100	40	118,9	Yes										
57	922,17	945,0	180	100	40	175,9	Yes										
76	1229,28	1252,0	200	110	40	294,0	Yes										



Art.no example

06P1 19
 No. of teeth
 ISO Standard and plate wheel

06B
 3/8" x 7/32"
 9,525 x 5,72 mm
 Roller dia: 6,35 mm
 Material: C45
 Hardened teeth: No

08B
 1/2" x 5/16"
 12,7 x 7,75 mm
 Roller dia: 8,51 mm
 Material: C45
 Hardened teeth: No

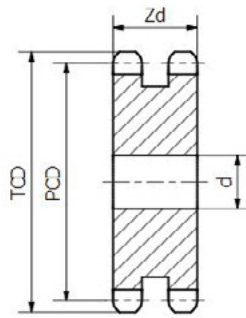
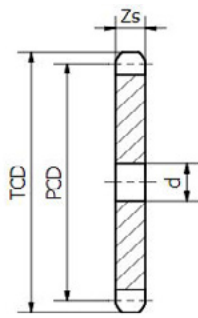
10B
 5/8" x 3/8"
 15,875 x 9,65 mm
 Roller dia: 10,61 mm
 Material: C45
 Hardened teeth: No

06B1 Zs 5,3				
Number of teeth, Z	PCD, [mm]	TCD, [mm]	Pilot bore dia, [mm]	Weight, [kg]
8	24,89	28	6	0,02
9	27,85	31	8	0,02
10	30,82	34	8	0,03
11	33,80	37	8	0,05
12	36,80	40	8	0,04
13	39,79	43	10	0,50
14	42,80	46,3	10	0,05
15	45,81	49,3	10	0,06
16	48,82	52,3	10	0,07
17	51,83	55,3	10	0,08
18	54,85	58,3	10	0,09
19	57,87	61,3	10	0,10
20	60,89	64,3	10	0,11
21	63,91	68	12	0,12
22	66,93	71	12	0,14
23	69,95	73,5	12	0,15
24	72,97	77	12	0,16
25	76,00	80	12	0,18
26	79,02	83	12	0,20
27	82,05	86	12	0,21
28	85,07	89	12	0,23
29	88,09	92	12	0,24
30	91,12	94,7	12	0,26
31	94,15	98,3	16	0,28
32	97,17	101,3	16	0,30
33	100,20	104,3	16	0,32
36	109,29	113,4	16	0,38
38	115,34	119,5	16	0,42
40	121,40	125,5	16	0,47
42	127,46	131,6	16	0,51
45	136,54	140,7	16	0,59
46	139,58	143,7	20	0,62
48	145,64	149,7	20	0,67
49	148,66	152,7	20	0,70
50	151,69	155,7	20	0,73
51	154,72	158,7	20	0,76
52	157,75	161,8	20	0,79
55	166,85	170,8	20	0,88
56	169,88	173,8	20	0,91
57	172,91	176,9	20	0,95
65	197,15	201,6	20	1,20
76	230,49	234,9	20	1,70
95	288,08	292,5	25	2,70
114	345,68	349,5	25	3,80

08B1 Zs 7,2				
Number of teeth, Z	PCD, [mm]	TCD, [mm]	Pilot bore dia, [mm]	Weight, [kg]
8	33,18	37,2	8	0,05
9	37,13	41	8	0,06
10	41,10	45,2	8	0,07
11	45,08	48,7	10	0,09
12	49,07	53	10	0,10
13	53,07	57,4	10	0,12
14	57,07	61,8	10	0,14
15	61,08	65,5	10	0,16
16	65,10	69,5	10	0,18
17	69,12	73,6	10	0,20
18	73,14	77,8	10	0,23
19	77,16	81,7	10	0,26
20	81,18	85,8	10	0,27
21	85,21	89,7	12	0,31
22	89,24	93,8	12	0,35
23	93,27	98,2	12	0,38
24	97,30	101,8	12	0,41
25	101,33	105,8	12	0,44
26	105,36	110	16	0,48
27	109,40	114	16	0,51
28	113,44	118	16	0,55
29	117,46	122	16	0,59
30	121,50	126,1	16	0,63
31	125,54	130,2	16	0,68
32	129,56	134,3	16	0,72
33	133,60	138,4	16	0,77
34	137,64	142,6	16	0,82
35	141,68	146,7	16	0,87
36	145,72	151	16	0,92
37	149,76	154,6	16	0,97
38	153,80	158,6	16	1,00
39	157,83	162,7	16	1,10
40	161,87	166,8	16	1,10
41	165,91	171,4	20	1,20
42	169,95	175,4	20	1,20
45	182,07	188	20	1,40
46	186,10	192,1	20	1,50
48	194,18	200,3	20	1,70
50	202,26	208,3	20	1,80
52	210,34	216,1	20	2,00
53	214,37	220,2	20	2,00
54	218,43	224,1	20	2,10
56	226,50	232,2	20	2,20
57	230,54	236,4	20	2,30
72	291,16	297,2	25	3,70
74	299,20	305	25	3,90
76	307,32	312,3	25	4,10
95	384,11	380,1	25	6,50
114	560,90	466,9	25	9,30

08B2 Zd 21,0				
Number of teeth, Z	PCD, [mm]	TCD, [mm]	Pilot bore dia, [mm]	Weight, [kg]
15	61,08	65,5	10	0,50
18	73,14	77,8	12	0,50
19	77,16	82	12	0,61
20	81,19	86	12	0,68
21	85,22	90,1	16	0,75
22	89,24	94,1	16	0,93
23	93,27	98,1	16	0,92
24	97,29	102,1	16	1,01
25	101,33	106,2	16	1,1
26	105,36	110,2	16	1,2
27	114,2	109,4	16	1,31
28	113,42	118,3	16	1,42
29	117,46	122,3	16	1,53
30	121,5	126,3	16	1,65
31	125,54	130,4	16	1,77
32	129,56	134	16	1,9
33	133,6	138,4	16	2,02
34	137,64	142,5	16	2,16
35	141,68	146,5	16	2,3
36	145,72	150,6	20	2,42
37	149,76	154,6	20	2,56
38	153,8	158,6	20	2,71
40	161,87	166,7	20	3,03
45	182,07	188,6	20	3,89
48	194,18	200,7	20	4,96
50	202,26	208,8	20	4,86

10B1 Zs 9,1				
Number of teeth, Z	PCD, [mm]	TCD, [mm]	Pilot bore dia, [mm]	Weight, [kg]
8	41,48	47	10	0,09
9	46,42	52,6	10	0,11
12	61,34	68	10	0,20
13	66,34	73	10	0,24
14	71,34	78	12	0,27
15	76,36	83	12	0,31
16	81,37	88	12	0,36
17	86,39	93	12	0,40
18	91,42	98,3	12	0,45
19	96,45	103,3	12	0,50
20	101,48	108,4	12	0,56
21	106,52	113,4	12	0,62



Art.no example

10P1 19

No. of teeth

ISO Standard and plate wheel

10B

5/8" x 3/8"
15,875 x 9,65 mm
Roller dia: 10,61 mm
Material: C45
Hardened teeth: No

12B

3/4" x 7/16"
19,05 x 11,68 mm
Roller dia: 12,07 mm
Material: C45
Hardened teeth: No

22	11,55	118	12	0,68
23	116,58	123,4	12	0,74
24	121,62	128,3	16	0,80
25	126,66	134	16	0,87
26	131,70	139	16	0,84
27	136,74	144	16	1,00
28	141,80	148,7	16	1,10
29	146,83	153,8	16	1,20
30	151,87	158,8	16	1,30
31	156,92	163,9	16	1,30
32	161,95	168,9	16	1,40
33	167,00	174,5	16	1,50
35	177,10	184,1	16	1,70
36	182,15	189,1	20	1,80
37	187,20	194,2	20	1,90
38	192,24	199,2	20	2,00
40	202,34	209,3	20	2,20
41	207,39	214,8	20	2,40
42	212,44	219,9	20	2,50
43	217,49	224,9	20	2,60
44	22,53	230	20	2,70
45	227,58	235	20	2,80
47	237,68	245,1	20	3,10
48	242,76	250,2	20	3,20
49	247,78	255,2	20	3,40
50	252,82	260,3	20	3,50
52	262,92	270,4	20	3,80
54	273,03	280,5	20	4,10
55	278,08	285,5	20	4,30
57	288,18	296	25	4,60
76	384,16	392,1	25	8,20
110	555,92	563,9	30	17,50
114	576,13	584,1	30	18,00

26	131,70	139	16	2,33
27	136,74	144	20	2,53
28	141,80	148,7	20	2,74
29	146,83	153,8	20	2,96
30	151,87	158,8	20	3,18
31	156,92	163,9	20	3,41
32	161,95	168,9	20	3,66
33	167,00	174,5	20	3,90
35	177,10	184,1	20	4,42
36	182,15	189,1	20	4,70
37	187,20	194,2	20	4,98
38	192,24	199,2	20	5,26
40	202,34	209,3	20	5,87
45	227,58	235	25	7,47
48	242,76	250,2	25	8,55
50	252,82	261,2	25	9,32

38	230,69	239	20	3,60
39	236,75	245,1	20	3,80
40	242,81	251,3	20	4,00
41	248,87	257,3	25	4,10
43	260,98	270,5	25	4,50
45	273,10	282,5	25	5,00
46	279,16	287,9	25	5,30
47	285,21	294	25	5,50
48	291,27	300,1	25	5,70
50	303,39	312,3	25	6,10
52	315,50	324,5	25	6,70
54	327,64	336,6	25	7,20
57	345,81	355,4	25	8,00
76	460,99	469,9	30	14,00
95	576,17	585,1	30	22,00
114	691,36	700,6	30	32,00

12B1 Zs 11,1

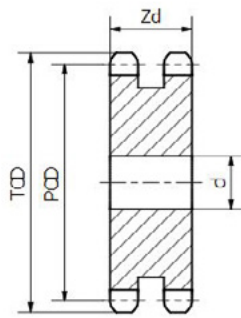
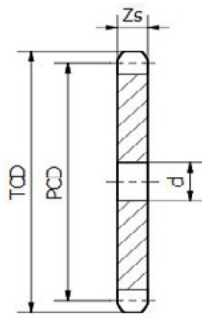
Number of teeth, Z	PCD, [mm]	TCD, [mm]	Pilot bore dia, [mm]	Weight, [kg]
8	49,78	57,6	12	0,15
10	61,64	69	12	0,24
12	73,61	81,5	14	0,36
13	79,60	87,5	14	0,41
15	91,62	99,8	14	0,55
16	97,65	105,5	14	0,63
17	103,67	111,5	14	0,71
18	109,71	118	14	0,80
19	115,74	124,2	14	0,89
20	121,79	129,7	14	1,00
21	127,82	136	16	1,10
22	133,86	141,8	16	1,20
23	139,90	149	16	1,30
24	145,95	153,9	16	1,40
25	151,99	160	16	1,50
26	158,04	165,9	16	1,60
27	164,09	172,3	16	1,80
28	170,13	178	16	1,90
29	176,20	184,1	16	2,10
30	182,25	190,5	16	2,30
31	188,31	196,3	20	2,40
32	194,35	203,3	20	2,50
33	200,40	209,2	20	2,70
34	206,46	214,6	20	2,90
35	212,52	221	20	3,10
37	224,64	232,9	20	3,40

12B2 Zd 30,3

Number of teeth, Z	PCD, [mm]	TCD, [mm]	Pilot bore dia, [mm]	Weight, [kg]
17	103,67	111,5	16	1,80
18	109,71	118	16	1,81
19	115,74	124,2	16	2,05
20	121,79	129,7	16	2,30
21	127,82	136	20	2,53
22	133,86	141,8	20	2,80
23	139,90	149	20	3,09
24	145,95	153,9	20	3,39
25	151,99	160	20	3,70
26	158,04	165,9	20	4,03
27	164,09	172,3	20	4,38
28	170,13	178	20	4,30
29	176,20	184,1	20	5,10
30	182,25	190,5	20	5,49
31	188,31	196,3	20	5,88
32	194,35	203,3	20	6,30
33	200,40	209,2	20	6,72
35	206,46	214,6	20	7,61
36	212,52	221	25	7,99
37	212,52	221	25	8,47
38	224,64	232,9	25	8,96
40	230,69	239	25	9,99
45	273,10	282,5	25	12,80
48	291,27	300,1	25	14,65
50	303,39	312,3	25	15,95

10B2 Zd 25,5

Number of teeth, Z	PCD, [mm]	TCD, [mm]	Pilot bore dia, [mm]	Weight, [kg]
15	76,36	83	12	0,80
16	81,37	88	12	0,82
17	86,39	93	12	0,91
18	91,42	98,3	12	1,06
19	96,45	103,3	12	1,20
20	101,48	108,4	12	1,34
21	106,52	113,4	16	1,48
22	11,55	118	16	1,64
23	116,58	123,4	16	1,80
24	121,62	128,3	16	1,98
25	126,66	134	16	2,17



Art.no example

16P1 19

No. of teeth

ISO Standard and plate wheel

16B

1" x 17,02 mm
25,4 x 17,02 mm
Roller dia: 15,88 mm
Material: C45
Hardened teeth: No

20B

1"1/4 x 3/4"mm
31,75 x 19,56 mm
Roller dia: 19,05 mm
Material: C45
Hardened teeth: No

24B

1"1/2 x 1"mm
38,1 x 25,4 mm
Roller dia: 25,4 mm
Material: C45
Hardened teeth: No

16B1 Zs 16,2

Number of teeth, Z	PCD, [mm]	TCD, [mm]	Pilot bore dia, [mm]	Weight, [kg]
8	66,37	77	12	0,38
9	74,27	85	12	0,50
10	82,19	93	12	0,64
11	90,14	99,5	16	0,78
12	98,14	109	16	0,91
13	106,12	117	16	1,10
14	114,15	125	16	1,30
15	122,17	133	16	1,40
16	130,20	141	20	1,60
17	138,23	149	20	1,80
18	146,27	157	20	2,00
19	154,32	165,2	20	2,30
20	162,37	173,2	20	2,60
21	170,42	181,2	20	2,80
22	178,48	189,3	20	3,00
23	186,54	197,5	20	3,40
24	194,60	205,5	20	3,70
25	202,66	213,5	20	3,90
27	218,79	229,6	20	4,50
28	226,85	237,7	20	5,00
29	234,92	245,8	20	5,30
30	243,00	254	20	5,70
31	251,08	262	25	6,10
32	259,13	270	25	6,50
33	267,21	278,5	25	6,90
34	275,28	287	25	7,40
35	283,36	296,2	25	7,80
36	291,44	304,6	25	8,30
37	299,51	312,6	25	8,70
38	307,59	320,7	25	9,20
39	315,67	328,8	25	9,80
40	323,73	336,9	25	10,10
42	339,90	353	25	11,00
43	347,98	361,1	25	12,00
45	364,12	377,1	25	13,00
46	372,21	385,2	25	13,00
49	396,44	409,3	25	15,00
50	404,52	417,4	25	16,90
51	412,60	425,5	30	17,00
52	420,67	433,6	30	17,00
54	436,85	448,3	30	19,00
56	453,01	466	30	2,00
57	461,08	474	30	21,00
62	501,50	514,5	30	25,00
76	614,64	627	30	37,00
95	768,22	781,1	30	58,00
110	889,48	902	30	82,00
114	921,81	934,3	30	84,00

16B2 Zs 47,7

Number of teeth, Z	PCD, [mm]	TCD, [mm]	Pilot bore dia, [mm]	Weight, [kg]
12	98,14	109	20	1,94
13	106,12	117	20	2,36
14	114,15	125	20	2,81
15	122,17	133	20	3,31
16	130,20	141	20	3,84
17	138,23	149	20	4,41
18	146,27	157	20	5,01
19	154,32	165,2	20	5,66
20	162,37	173,2	20	6,34
21	170,42	181,2	25	7,00
22	178,48	189,3	25	7,76
23	186,54	197,5	25	8,56
24	194,60	205,5	25	9,40
25	202,66	213,5	25	10,28
27	218,79	229,6	25	12,15
28	226,85	237,7	25	13,14
29	234,92	245,8	25	14,17
30	243,00	254	25	15,24
31	251,08	262	25	16,35
32	259,13	270	25	17,50
33	267,21	278,5	25	18,68
34	275,28	287	25	19,90
35	283,36	296,2	25	21,16
36	291,44	304,6	25	22,46
37	299,51	312,6	25	23,80
38	307,59	320,7	25	25,18
40	323,73	336,9	25	28,04
45	364,12	377,1	25	35,89
46	372,21	385,2	25	37,56
7	404,52	417,4	25	44,70

20B1 Zs 18,5

Number of teeth, Z	PCD, [mm]	TCD, [mm]	Pilot bore dia, [mm]	Weight, [kg]
8	82,96	98,1	16	1,10
9	92,84	108	16	1,20
10	102,74	117,9	16	1,30
11	112,68	127,8	20	1,40

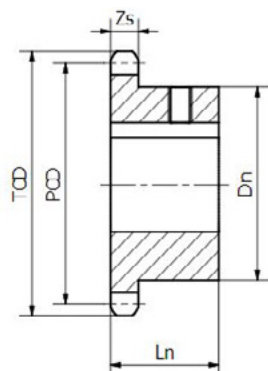
12	122,68	137,8	20	1,60
13	132,65	147,8	20	1,80
15	152,71	167	20	2,50
16	162,75	177,9	25	2,80
17	172,79	187,9	25	3,20
18	182,85	198	25	3,60
19	192,90	208,1	25	4,00
20	202,98	218,1	25	4,50
21	213,03	228,2	25	5,00
22	223,11	238,3	25	5,40
23	233,17	248,3	25	5,90
24	243,23	258,4	25	6,40
25	253,32	268,5	25	7,00
31	313,85	329	25	11,00
38	384,48	399,6	25	16,00
45	455,17	470,3	30	23,00
46	465,26	480,4	30	24,00

24B1 Zs 24,1

Number of teeth, Z	PCD, [mm]	TCD, [mm]	Pilot bore dia, [mm]	Weight, [kg]
8	99,55	115	20	2,00
10	123,29	138	20	2,20
11	135,21	150	25	2,40
13	159,18	174,2	25	3,50
14	171,22	186,2	20	4,10
15	183,25	198,2	25	4,70
17	207,35	222,3	25	5,80
19	231,48	246,5	25	7,40
20	243,57	258,6	25	8,40
21	256,65	270,6	25	9,10
22	267,73	282,7	25	10,00
23	279,80	294,8	25	11,00
25	303,99	319	25	13,00
26	316,08	331	30	14,00
28	340,27	355,2	30	16,00
30	364,50	379,5	30	19,00
38	461,38	476,2	30	30,00
46	558,32	573,3	30	44,00
57	691,63	706,5	30	69,00
76	921,98	936,9	40	119,00

Sprockets with finished bore

According to ISO 606



05B
 8 x 2,8 mm
 Roller dia: 5 mm
 Material: C45
 Hardened teeth: Yes
 Keway acc. DIN6885/1
 Setscrew: Yes

06B
 3/8" x 7/32"
 9,525 x 5,72 mm
 Roller dia: 6,35 mm
 Material: C45
 Hardened teeth: Yes
 Keway acc. DIN6885/1
 Setscrew: Yes

Art.no example
 08B1 15 20
 ————— Finished bore
 ————— No. of teeth
 ————— ISO Standard

08B
 1/2" x 5/16"
 12,7 x 7,75 mm
 Roller dia: 8,51 mm
 Material: C45
 Hardened teeth: Yes
 Keway acc. DIN6885/1
 Setscrew: Yes

05B1 Zs 2,8

Number of teeth, Z	PCD, [mm]	TCD, [mm]	Dn, [mm]	Ln, [mm]	Finnish bore, tolerance H7	Weight, [kg]
15	39,48	41,7	28	13	10	0,07

06B1 Zs 5,3

Number of teeth, Z	PCD, [mm]	TCD, [mm]	Dn, [mm]	Ln, [mm]	Finnish bore, tolerance H7	Weight, [kg]
10	30,82	34,0	20	22	12	0,11
16	48,82	52,3	37	28	25	0,25
22	66,93	71,0	50	28	18	0,46
23	69,95	73,5	52	28	20	0,51
25	76,00	80,0	57	28	20	0,61

08B1 Zs 7,2

Number of teeth, Z	PCD, [mm]	TCD, [mm]	Dn, [mm]	Ln, [mm]	Finnish bore, tolerance H7	Weight, [kg]
11	45,08	48,7	29	25	15	0,15
12	49,07	53,0	33	28	15	0,21
12	49,07	53,0	33	28	20	0,21
13	53,07	57,4	37	28	18	0,25
13	53,07	57,4	37	28	20	0,26
13	53,07	57,4	37	28	25	0,26
14	57,07	61,8	41	28	15	0,32
14	57,07	61,8	41	28	20	0,32
14	57,07	61,8	41	28	25	0,32
15	61,08	65,5	45	28	15	0,38
15	61,08	65,5	45	28	20	0,38
15	61,08	65,5	45	28	25	0,38
15	61,08	65,5	45	28	30	0,38
16	65,10	69,5	50	28	20	0,46

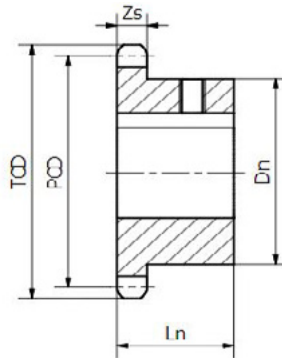
16	65,10	69,5	50	28	25	0,46
16	65,10	69,5	50	28	30	0,46
17	69,12	73,6	52	28	20	0,51
17	69,12	73,6	52	28	24	0,51
17	69,12	73,6	52	28	25	0,51
17	69,12	73,6	52	28	30	0,51
18	73,14	77,8	56	28	20	0,59
18	73,14	77,8	56	28	25	0,59
18	73,14	77,8	56	28	30	0,59
19	77,16	81,7	60	28	20	0,67
19	77,16	81,7	60	28	25	0,67
19	77,16	81,7	60	28	30	0,67
19	77,16	81,7	60	28	35	0,67
20	81,18	85,8	64	28	20	0,76
20	81,18	85,8	64	28	25	0,76
20	81,18	85,8	64	28	30	0,76
20	81,18	85,8	64	28	35	0,76
21	85,21	87,7	68	28	20	0,85
21	85,21	87,7	68	28	25	0,85
21	85,21	87,7	68	28	30	0,85
21	85,21	87,7	68	28	35	0,85
22	89,24	93,8	70	28	20	0,91
22	89,24	93,8	70	28	25	0,91
23	93,27	87,2	70	28	20	0,94
23	93,27	87,2	70	28	25	0,94
23	93,27	87,2	70	28	30	0,94
23	93,27	87,2	70	28	35	0,94
24	97,30	101,8	70	28	20	0,98
24	97,30	101,8	70	28	25	0,98
25	101,33	105,8	70	28	25	1,01
30	121,50	126,1	80	30	25	1,46
30	121,50	126,1	80	30	30	1,46
30	121,50	126,1	80	30	35	1,46

10B

5/8" x 3/8"
 15,875 x 9,65 mm
 Roller dia: 10,61 mm
 Material: C45
 Hardened teeth: Yes
 Keway acc. DIN6885/1
 Setscrew: Yes

12B

3/4" x 7/16"
 19,05 x 11,68 mm
 Roller dia: 12,07 mm
 Material: C45
 Hardened teeth: Yes
 Keway acc. DIN6885/1
 Setscrew: Yes

**Art.no example**

10B1 15 20
 ———— Finished bore
 ———— No. of teeth
 ———— ISO Standard

10B1 Zs 9,1

Number of teeth, Z	PCD, [mm]	TCD, [mm]	Dn, [mm]	Ln, [mm]	Finnish bore, tolerance H7	Weight, [kg]
10	51,37	57,5	35	25	15	0,22
10	51,37	57,5	35	25	20	0,22
11	56,34	63,0	37	30	20	0,29
11	56,34	63,0	37	30	25	0,29
12	61,34	68,0	42	30	20	0,37
12	61,34	68,0	42	30	25	0,37
13	66,34	73,0	47	30	20	0,46
13	66,34	73,0	47	30	25	0,46
13	66,34	73,0	47	30	30	0,46
14	71,34	78,0	52	30	25	0,56
14	71,34	78,0	52	30	30	0,56
15	76,36	83,0	57	30	20	0,67
15	76,36	83,0	57	30	25	0,67
15	76,36	83,0	57	30	30	0,67
15	76,36	83,0	57	30	35	0,67
16	81,37	88,0	60	30	25	0,76
16	81,37	88,0	60	30	30	0,76
17	86,39	93,0	60	30	20	0,88
17	86,39	93,0	60	30	25	0,88
17	86,39	93,0	60	30	30	0,88
18	91,42	98,3	70	30	20	1,01
18	91,42	98,3	70	30	25	1,01
18	91,42	98,3	70	30	35	1,01
19	96,45	103,3	70	30	20	1,15
19	96,45	103,3	70	30	25	1,15
19	96,45	103,3	70	30	30	1,15
19	96,45	103,3	70	30	35	1,15
19	96,45	103,3	70	30	40	1,15
20	101,48	108,4	75	30	20	1,21
20	101,48	108,4	75	30	25	1,21
20	101,48	108,4	75	30	30	1,21
20	101,48	108,4	75	30	35	1,21
20	101,48	108,4	75	30	40	1,21
21	106,52	113,4	75	30	25	1,25
21	106,52	113,4	75	30	30	1,25
21	106,52	113,4	75	30	35	1,25
22	111,55	118,0	80	30	25	1,41
22	111,55	118,0	80	30	30	1,41
23	116,58	123,4	80	30	25	1,47
23	116,58	123,4	80	30	30	1,47
24	121,62	128,3	80	30	25	1,54
25	126,66	134,0	80	30	25	1,60
25	126,66	134,0	80	30	30	1,60
25	126,66	134,0	80	30	40	1,60

12B1 Zs 11,1

Number of teeth, Z	PCD, [mm]	TCD, [mm]	Dn, [mm]	Ln, [mm]	Finnish bore, tolerance H7	Weight, [kg]
10	61,64	69,0	42	30	20	0,38
10	61,64	69,0	42	30	25	0,38
11	67,64	75,0	46	35	20	0,51
11	67,64	75,0	46	35	25	0,51
12	73,61	81,5	52	35	25	0,65
12	73,61	81,5	52	35	30	0,65
13	79,60	87,5	58	35	20	0,80
13	79,60	87,5	58	35	25	0,80
13	79,60	87,5	58	35	30	0,80
14	85,61	93,6	64	35	25	0,97
14	85,61	93,6	64	35	30	0,97
14	85,61	93,6	64	35	35	0,97
15	91,62	99,8	70	35	25	1,16
15	91,62	99,8	70	35	30	1,16
15	91,62	99,8	70	35	35	1,16
15	91,62	99,8	70	35	40	1,16
16	97,65	105,5	75	35	25	1,34
16	97,65	105,5	75	35	30	1,34
16	97,65	105,5	75	35	35	1,34
17	103,67	111,5	80	35	25	1,53
17	103,67	111,5	80	35	30	1,53
17	103,67	111,5	80	35	35	1,53
17	103,67	111,5	80	35	40	1,53
18	109,71	118,0	80	35	25	1,62
18	109,71	118,0	80	35	30	1,62
18	109,71	118,0	80	35	35	1,62
18	109,71	118,0	80	35	40	1,62
19	115,74	124,2	80	35	25	1,70
19	115,74	124,2	80	35	30	1,70
19	115,74	124,2	80	35	35	1,70
19	115,74	124,2	80	35	45	1,70
19	115,74	124,2	80	35	50	1,70
20	121,78	129,7	80	35	30	1,80
20	121,78	129,7	80	35	35	1,80
20	121,78	129,7	80	35	40	1,80
21	127,82	136,0	90	40	25	2,35
21	127,82	136,0	90	40	30	2,35
21	127,82	136,0	90	40	35	2,35
21	127,82	136,0	90	40	40	2,35
21	127,82	136,0	90	40	50	2,35
22	133,86	141,8	90	40	30	2,46
22	133,86	141,8	90	40	40	2,46
23	139,90	149,0	90	40	25	2,56
23	139,90	149,0	90	40	30	2,56
23	139,90	149,0	90	40	35	2,56
23	139,90	149,0	90	40	50	2,56
24	145,95	153,9	90	40	30	2,68
24	145,95	153,9	90	40	35	2,68
25	151,99	160,0	90	40	25	2,80
25	151,99	160,0	90	40	30	2,80
25	151,99	160,0	90	40	40	2,80

16B

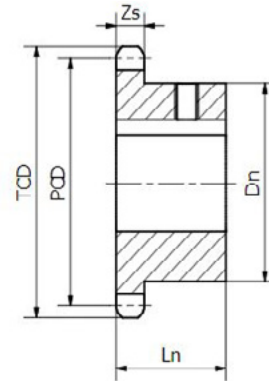
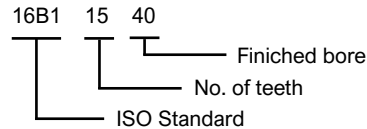
1" x 17,02 mm
 25,4 x 17,02 mm
 Roller dia: 15,88 mm
 Material: C45
 Hardened teeth: Yes
 Keway acc. DIN6885/1
 Setscrew: Yes

24B

1" 1/2 x 1" mm
 38,1 x 25,4 mm
 Roller dia: 25,4 mm
 Material: C45
 Hardened teeth: Yes
 Keway acc. DIN6885/1
 Setscrew: Yes

20B

1" 1/4 x 3/4" mm
 31,75 x 19,56 mm
 Roller dia: 19,05 mm
 Material: C45
 Hardened teeth: Yes
 Keway acc. DIN6885/1
 Setscrew: Yes

Art.no example**16B1 Zs 16,2**

Number of teeth, Z	PCD, [mm]	TCD, [mm]	Dn, [mm]	Ln, [mm]	Finnish bore, tolerance H7	Weight, [kg]
11	90,14	99,5	61	40	35	1,14
11	90,14	99,5	61	40	40	1,14
12	98,14	109,0	69	40	30	1,43
12	98,14	109,0	69	40	35	1,43
12	98,14	109,0	69	40	40	1,43
13	106,12	117,0	78	40	30	1,77
13	106,12	117,0	78	40	35	1,77
13	106,12	117,0	78	40	40	1,77
13	106,12	117,0	78	40	45	1,77
13	106,12	117,0	78	40	50	1,77
14	114,15	125,0	84	40	25	2,08
14	114,15	125,0	84	40	35	2,08
15	122,17	133,0	92	40	30	2,46
15	122,17	133,0	92	40	35	2,46
15	122,17	133,0	92	40	40	2,46
15	122,17	133,0	92	40	45	2,46
15	122,17	133,0	92	40	50	2,46
16	130,20	141,0	100	45	35	3,14
16	130,20	141,0	100	45	40	3,14
16	130,20	141,0	100	45	45	3,14
16	130,20	141,0	100	45	50	3,14
17	138,23	149,0	100	45	25	3,34
17	138,23	149,0	100	45	30	3,34
17	138,23	149,0	100	45	35	3,34
17	138,23	149,0	100	45	40	3,34
17	138,23	149,0	100	45	45	3,34
17	138,23	149,0	100	45	50	3,34
18	146,27	157,0	100	45	50	3,56
19	154,32	165,2	100	45	30	3,78
19	154,32	165,2	100	45	35	3,78
19	154,32	165,2	100	45	40	3,78
19	154,32	165,2	100	45	50	3,78
20	162,37	173,2	100	45	25	4,03
20	162,37	173,2	100	45	35	4,03
20	162,37	173,2	100	45	45	4,03
20	162,37	173,2	100	45	50	4,03
21	170,42	181,2	110	50	40	5,01
22	178,48	189,3	110	50	50	5,28
23	186,54	197,5	110	50	30	5,63
23	186,54	197,5	110	50	40	5,63
23	186,54	197,5	110	50	50	5,63
25	202,66	213,5	110	50	30	6,16
25	202,66	213,5	110	50	40	6,16
25	202,66	213,5	110	50	50	6,16

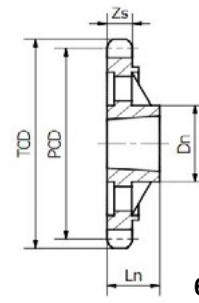
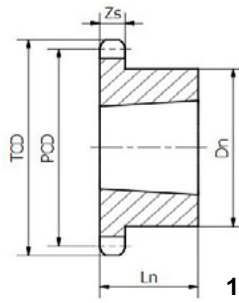
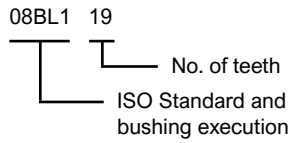
20B1 Zs 18,5

Number of teeth, Z	PCD, [mm]	TCD, [mm]	Dn, [mm]	Ln, [mm]	Finnish bore, tolerance H7	Weight, [kg]
13	132,65	147,8	90	32	55	2,5
15	152,71	167,0	110	44	45	4,08
15	152,71	167,0	110	44	60	3,66
15	152,71	167,0	110	44	65	3,49
15	152,71	167,0	110	44	70	3,3
17	172,79	187,9	110	44	40	5,4
17	172,79	187,9	110	44	45	5,28
17	172,79	187,9	110	44	50	5,14
17	172,79	187,9	110	44	55	4,93
17	172,79	187,9	110	44	65	4,5
17	172,79	187,9	110	44	70	4,35
19	192,90	208,1	110	44	55	5,77
19	192,90	208,1	110	44	60	5,77
19	192,90	208,1	110	44	65	5,4
19	192,90	208,1	110	44	70	5,2
20	203,00	379,5	110	44	50	6,35
21	213,03	228,2	120	44	60	8
23	233,17	248,3	120	44	40	9,6
23	233,17	248,3	120	44	60	9,5
25	252,32	266,5	120	44	40	10,7
25	252,32	266,5	120	44	50	10,35

24B1 Zs 24,1

Number of teeth, Z	PCD, [mm]	TCD, [mm]	Dn, [mm]	Ln, [mm]	Finnish bore, tolerance H7	Weight, [kg]
13	159,18	174,2	110	44	50	4,49
17	207,35	222,3	140	51	60	9,45
30	364,50	379,5	160	51	70	22,20
36	437,15	455,8	160	51	70	30,40

Art.no example



06B

3/8" x 7/32"
9,525 x 5,72 mm
Roller dia: 6,35 mm
Material: C45
Hardened teeth: No
Welded hub: No

08B

1/2" x 5/16"
12,7 x 7,75 mm
Roller dia: 8,51 mm
Material: C45
Hardened teeth: No
Welded hub: No

10B

5/8" x 3/8"
15,875 x 9,65 mm
Roller dia: 10,61 mm
Material: C45
Hardened teeth: No
Welded hub: No

12B

3/4" x 7/16"
19,05 x 11,68 mm
Roller dia: 12,07 mm
Material: C45
Hardened teeth: No
Welded hub: No

06B1 Zs 5,3

Number of teeth, Z	PCD, [mm]	TCD, [mm]	Dn, [mm]	Ln, [mm]	Taper bush size	Bore range [mm]	Weight, [kg]	Execution
17	51,83	55,3	44,5	22	1008	10-25	0,11	1
18	54,85	58,3	45	22	1008	10-25	0,14	1
19	57,87	61,3	46	22	1008	10-25	0,15	1
20	60,89	64,3	46	22	1008	10-25	0,16	1
21	63,91	68,0	46	22	1008	10-25	0,18	1
23	69,95	73,5	62	25	1210	10-32	0,27	1
24	72,97	77,0	63	25	1210	10-32	0,30	1
25	75,99	80,0	63	25	1210	10-32	0,32	1
26	79,02	83,0	63	25	1210	10-32	0,33	1
27	82,05	86,0	63	25	1210	10-32	0,34	1
28	85,07	89,0	63	25	1210	10-32	0,37	1
30	91,12	94,7	63	25	1210	10-32	0,39	1
38	115,34	119,5	70	25	1210	10-32	0,65	1
45	136,55	140,7	70	25	1210	10-32	1,01	1
76*	230,49	235,1	83	25	1210	10-32	1,84	6

*z76 material = GJL-200

08B1 Zs 7,2

Number of teeth, Z	PCD, [mm]	TCD, [mm]	Dn, [mm]	Ln, [mm]	Taper bush size	Bore range [mm]	Weight, [kg]	Execution
15	61,08	65,5	46	22	1008	10-25	0,16	1
16	65,10	69,5	52	22	1108	10-28	0,20	1
17	69,12	73,6	59,5	25	1210	10-32	0,22	1
18	73,14	77,8	60	25	1210	10-32	0,27	1
19	77,16	81,7	63	25	1210	10-32	0,33	1
20	81,18	85,8	71	25	1610	10-42	0,27	1
21	85,21	89,7	71	25	1610	10-42	0,36	1
22	89,24	93,8	76	25	1610	10-42	0,36	1
23	93,27	98,2	76	25	1610	10-42	0,50	1
24	97,30	101,8	76	25	1610	10-42	0,53	1
25	101,33	105,8	76	25	1610	10-42	0,56	1
26	105,36	110,0	76	25	1610	10-42	0,60	1
27	109,40	114,0	76	25	1610	10-42	0,63	1
28	113,44	118,0	90	32	2012	16-50	0,77	1
30	121,50	126,1	90	32	1610	10-42	0,91	1
38	153,80	159,0	102	32	2012	16-50	1,25	1
45	182,10	188,0	100	44	2012	16-50	1,68	1
57*	230,54	236,0	110	44	2012	16-50	2,78	6
76*	307,32	312,0	110	44	2012	16-50	3,81	6

*z57- z76 material = GJL-200

10B1 Zs 9,1

Number of teeth, Z	PCD, [mm]	TCD, [mm]	Dn, [mm]	Ln, [mm]	Taper bush size	Bore range [mm]	Weight, [kg]	Execution
13	66,34	73,0	46	22	1008	10-25	0,23	1
14	71,34	78,0	52	22	1108	10-28	0,27	1
15	76,36	83,0	63	25	1210	10-32	0,30	1
16	81,37	88,0	70	25	1610	10-42	0,38	1
17	86,39	93,0	71	25	1610	10-42	0,38	1
18	91,42	98,3	75	25	1610	10-42	0,43	1
19	96,45	103,3	76	25	1610	10-42	0,54	1
20	101,48	108,4	76	25	1610	10-42	0,61	1
21	106,52	113,4	76	25	1610	10-42	0,65	1
22	111,55	118,0	76	25	1610	10-42	0,72	1
23	116,58	123,4	76	25	1610	10-42	0,77	1
24	121,62	128,3	90	32	2012	16-50	0,98	1
25	126,66	134,0	90	32	2012	16-50	1,05	1
26	131,70	139,0	90	32	2012	16-50	1,11	1
27	136,74	144,0	90	32	2012	16-50	1,17	1
28	141,80	148,7	90	32	2012	16-50	1,29	1
30	151,87	158,8	90	32	2012	16-50	1,40	1
38	192,24	199,2	102	32	2012	16-50	2,43	1
45	227,60	235,0	100	32	2012	16-50	3,55	1
57*	288,18	296,0	130	51	2012	16-50	4,28	6

*z57 material = GJL-200

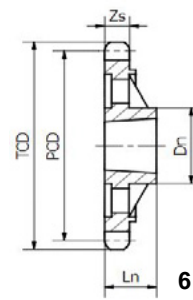
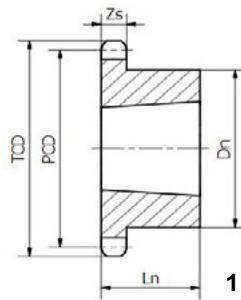
12B1 Zs 11,1

Number of teeth, Z	PCD, [mm]	TCD, [mm]	Dn, [mm]	Ln, [mm]	Taper bush size	Bore range [mm]	Weight, [kg]	Execution
13	79,60	87,5	60	25	1210	10-32	0,35	1
14	85,61	93,6	67	25	1610	10-42	0,40	1
15	91,62	99,8	70	25	1610	10-42	0,44	1
16	97,65	105,5	71	25	1610	10-42	0,53	1
17	103,67	111,5	76	25	1610	10-42	0,66	1
18	109,71	117,9	90	32	2012	16-50	0,86	1
19	115,74	123,9	90	32	2012	16-50	0,94	1
20	121,78	130,0	90	32	2012	16-50	1,04	1
21	127,82	136,0	102	44	2517	18-65	1,24	1
22	133,86	141,8	108	44	2517	18-65	1,60	1
23	139,90	148,1	108	44	2517	18-65	1,70	1
24	145,95	153,9	108	44	2517	18-65	1,81	1
25	151,99	160,0	108	44	2517	18-65	1,93	1
26	158,04	165,9	108	44	2517	18-65	2,04	1
27	164,09	172,3	108	44	2517	18-65	2,14	1
28	170,13	178,3	108	44	2517	18-65	2,37	1
30	182,25	190,5	108	44	2517	18-65	2,60	1
38	230,69	239,0	108	44	2517	18-65	3,93	1
45	273,10	282,5	124	44	2517	18-65	5,52	1
57*	348,71	355,9	124	44	2517	18-65	6,48	6

*z57 material = GJL-200

Art.no example

16BL1 19
 No. of teeth
 ISO Standard and
 bushing execution

**16B**

1" x 17,02 mm
 25,4 x 17,02 mm
 Roller dia: 15,88 mm
 Material: C45
 Hardened teeth: No
 Welded hub: No

24B

1"1/2 x 1"mm
 38,1 x 25,4 mm
 Roller dia: 25,4 mm
 Material: C45
 Hardened teeth: No
 Welded hub: N

20B

1"1/4 x 3/4"mm
 31,75 x 19,56 mm
 Roller dia: 19,05 mm
 Material: C45
 Hardened teeth: No
 Welded hub: N

16B1 Zs 16,2

Number of teeth, Z	PCD, [mm]	TCD, [mm]	Dn, [mm]	Ln, [mm]	Taper bush size	Bore range [mm]	Weight, [kg]	Execution
13	106,12	117,0	78	25	1615	14-42	0,98	1
14	114,15	125,0	78	25	1610	10-42	1,14	1
15	122,17	133,0	78	25	1610	10-42	1,30	1
16	130,20	141,0	90	32	2012	16-50	1,40	1
17	138,23	149,0	90	32	2012	16-50	1,59	1
18	146,27	157,0	108	45	2517	18-65	2,10	1
19	154,32	165,2	108	45	2517	18-65	2,29	1
20	162,37	173,2	108	45	2517	18-65	2,60	1
21	170,42	181,2	108	45	2517	18-65	2,81	1
22	178,48	189,3	108	45	2517	18-65	3,10	1
23	186,54	197,5	108	45	2517	18-65	3,38	1
24	194,60	205,5	108	45	2517	18-65	3,70	1
25	202,66	213,5	108	45	2517	18-65	3,97	1
26	210,72	221,6	108	45	2517	18-65	4,26	1
27	218,79	229,6	108	45	2517	18-65	4,55	1
28	226,85	237,7	108	45	2517	18-65	5,26	1
30	243,00	254,0	139	51	3020	28-75	5,97	1
38	307,59	320,7	130	51	3020	28-75	8,73	1
45	364,10	377,1	140	51	3020	28-75	12,49	1
57*	461,08	474,0	130	51	3020	28-75	13,87	6
76*	614,64	627,0	130	51	3020	28-75	22,63	6

*z57- z76 material = GJL-200

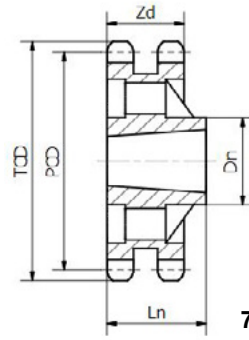
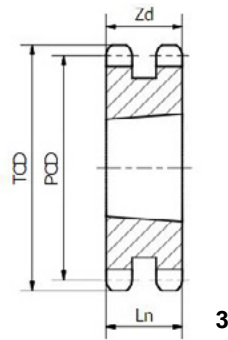
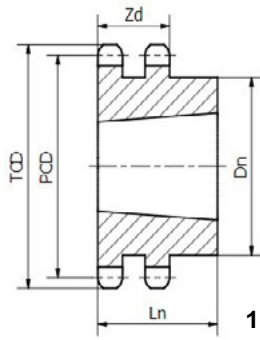
20B1 Zs 18,5

Number of teeth, Z	PCD, [mm]	TCD, [mm]	Dn, [mm]	Ln, [mm]	Taper bush size	Bore range [mm]	Weight, [kg]	Execution
13	132,65	147,8	90	32	2012	16-50	1,50	1
15	152,71	167,0	110	44	2517	18-65	3,39	1
17	172,79	187,9	110	44	2517	18-65	5,07	1
19	192,90	208,1	110	44	2517	18-65	6,75	1
21	213,03	228,2	120	44	2517	18-65	7,70	1
23	233,17	248,3	120	44	2517	18-65	8,78	1
25	252,32	268,5	120	44	2517	18-65	9,50	1
30	303,75	318,9	160	51	3020	28-75	11,60	1
38*	384,48	399,6	160	51	3020	28-75	15,80	6

*z38 material = GJL-200

24B1 Zs 24,1

Number of teeth, Z	PCD, [mm]	TCD, [mm]	Dn, [mm]	Ln, [mm]	Taper bush size	Bore range [mm]	Weight, [kg]	Execution
13	159,18	174,2	110	44	2517	18-65	2,77	1
15	183,25	198,2	120	44	2517	18-65	4,20	1
17	207,35	222,3	140	51	3020	28-75	5,40	1
19	231,48	246,5	140	51	3020	28-75	6,85	1
21	256,65	270,6	140	51	3020	28-75	8,52	1
25	304,00	319,0	160	51	3020	28-75	13,33	1
30	364,50	379,5	160	51	3020	28-75	19,00	1



Art.no example

08BL2 19
 No. of teeth
 ISO Standard and bushing execution

06B

3/8" x 7/32"
 9,525 x 5,72 mm
 Roller dia: 6,35 mm
 Material: C45
 Hardened teeth: No
 Welded hub: No

08B

1/2" x 5/16"
 12,7 x 7,75 mm
 Roller dia: 8,51 mm
 Material: C45
 Hardened teeth: No
 Welded hub: No

10B

5/8" x 3/8"
 15,875 x 9,65 mm
 Roller dia: 10,61 mm
 Material: C45
 Hardened teeth: No
 Welded hub: No

12B

3/4" x 7/16"
 19,05 x 11,68 mm
 Roller dia: 12,07 mm
 Material: C45
 Hardened teeth: No
 Welded hub: No

06B2 Zd 15,4

Number of teeth, Z	PCD, [mm]	TCD, [mm]	Dn, [mm]	Ln, [mm]	Taper bush size	Bore range [mm]	Weight, [kg]	Execution
17	51,83	55,3	43	22	1008	10-25	0,11	2
19	57,87	61,3	47	22	1008	10-25	0,18	2
20	60,89	64,6	48	22	1008	10-25	0,22	2
21	63,91	68,0	49	22	1008	10-25	0,16	2
22	66,93	70,6	52	22	1108	10-28	0,28	2
23	69,95	73,5	59	25	1210	10-32	0,27	2
25	76,00	80,0	64	25	1210	10-32	0,37	2
27	82,05	86,0	64	25	1210	10-32	0,50	2
38	115,34	119,5	76	25	1610	10-42	1,03	2
57*	172,91	176,9	75	25	1610	10-42	1,16	7

*z57 material = GJL-200

08B2 Zd 21

Number of teeth, Z	PCD, [mm]	TCD, [mm]	Dn, [mm]	Ln, [mm]	Taper bush size	Bore range [mm]	Weight, [kg]	Execution
15	61,08	65,5	48	22	1008	10-25	0,22	2
16	65,10	69,9	50	22	1108	10-28	0,22	2
17	69,12	73,6	56	25	1210	10-32	0,23	2
18	73,14	78,0	60	25	1210	10-32	0,30	2
19	77,16	81,7	64	25	1210	10-32	0,38	2
20	81,19	86,0	66	25	1610	10-42	0,45	2
21	85,21	89,7	71	25	1610	10-42	0,50	2
22	89,24	94,1	76	25	1610	10-42	0,55	2
23	93,27	98,2	79	25	1610	10-42	0,62	2
25	101,33	105,8	87	32	2012	16-50	0,72	2
27	109,40	114,0	87	32	2012	16-50	0,92	2
28	113,42	118,3	87	32	2012	16-50	1,10	2
30	121,50	126,1	87	32	2012	16-50	1,24	2
38	153,80	158,6	100	32	2012	16-50	2,50	2
57*	230,54	236,4	111	32	2012	16-50	3,64	7
76*	307,33	313,9	111	32	2012	16-50	5,09	7

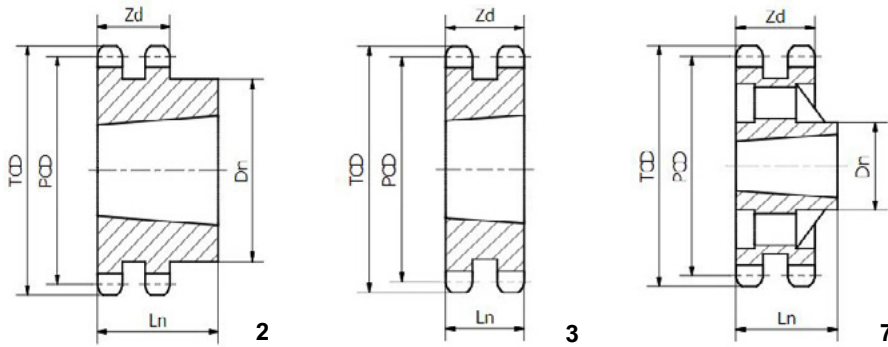
*z57-z76 material = GJL-200

10B2 Zd 25,5

Number of teeth, Z	PCD, [mm]	TCD, [mm]	Dn, [mm]	Ln, [mm]	Taper bush size	Bore range [mm]	Weight, [kg]	Execution
15	76,36	83,0	-	25,5	1210	10-32	0,38	3
17	86,39	93,0	-	25,5	1610	10-42	0,47	3
18	91,42	98,3	-	25,5	1610	10-42	0,60	3
19	96,45	103,3	-	25,5	1610	10-42	0,72	3
20	101,48	108,4	-	25,5	1610	10-42	0,87	3
21	106,52	113,4	-	25,5	1610	10-42	1,01	3
22	111,55	118,0	-	25,5	1610	10-42	1,18	3
23	116,58	123,4	-	25,5	1610	10-42	1,35	3
24	121,62	128,3	90	32	2012	16-50	1,45	2
25	126,66	134,0	90	32	2012	16-50	1,55	2
30	151,87	158,8	90	32	2012	16-50	2,63	2

12B2 Zd 30,3

Number of teeth, Z	PCD, [mm]	TCD, [mm]	Dn, [mm]	Ln, [mm]	Taper bush size	Bore range [mm]	Weight, [kg]	Execution
15	91,62	99,8	71	30,3	1610	10-42	0,68	3
16	97,65	105,5	-	30,3	1610	10-42	0,89	3
17	103,67	111,5	-	30,3	1610	10-42	1,14	3
18	109,71	117,9	90	32	2012	16-50	1,18	2
19	115,74	123,9	90	32	2012	16-50	1,24	2
21	127,82	136,0	108	44	2517	18-65	1,68	2
23	139,90	148,1	108	44	2517	18-65	2,24	2
24	145,95	153,9	108	44	2517	18-65	2,54	2
25	151,99	160,0	108	44	2517	18-65	2,87	2
26	158,04	165,9	108	44	2517	18-65	3,17	2
27	167,08	172,3	108	44	2517	18-65	3,55	2
28	170,13	178,3	108	44	2517	18-65	4,10	2
30	182,25	190,5	108	44	2517	18-65	4,62	2
38	230,69	239,0	142	51	3020	28-75	8,11	2



Art.no example

16BL2

19

No. of teeth

ISO Standard and
bushing execution**16B**

1" x 17,02 mm
25,4 x 17,02 mm
Roller dia: 15,88 mm
Material: C45
Hardened teeth: No
Welded hub: No

24B

1 1/2" x 1" mm
38,1 x 25,4 mm
Roller dia: 25,4 mm
Material: C45
Hardened teeth: No
Welded hub: No

16B2 Zd 47,7

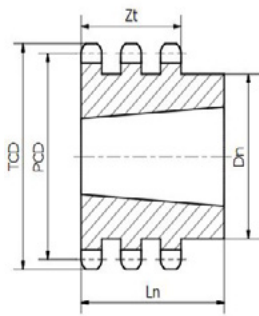
Number of teeth, Z	PCD, [mm]	TCD, [mm]	Dn, [mm]	Ln, [mm]	Taper bush size	Bore range [mm]	Weight, [kg]	Execution
15	122,17	133,0	-	47,7	2012	16-50	2,11	3
16	130,20	141,0	-	47,7	2517	18-65	2,25	3
17	138,23	149,0	-	47,7	2517	18-65	2,53	3
18	146,27	157,0	-	47,7	2517	18-65	3,10	3
19	154,32	165,2	-	47,7	2517	18-65	3,80	3
20	162,37	173,2	-	47,7	2517	18-65	4,10	3
21	170,42	181,2	140	51	3020	28-75	4,15	2
22	178,48	189,3	140	51	3020	28-75	4,90	2
23	186,54	197,5	140	51	3020	28-75	5,69	2
24	194,60	205,5	140	51	3020	28-75	6,00	2
25	202,66	213,5	140	51	3020	28-75	6,38	2
30	243,00	254,0	140	76	3030	35-75	13,50	2
38*	307,58	320,7	160	76	3030	35-75	14,94	7
57*	461,08	474,0	175	89	3535	35-90	22,00	7

*z36-z57 material = GJL-200

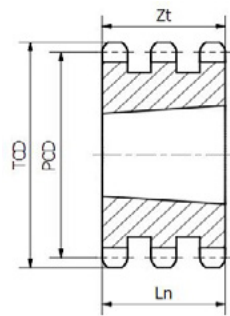
24B2 Zd 54,6

Number of teeth, Z	PCD, [mm]	TCD, [mm]	Dn, [mm]	Ln, [mm]	Taper bush size	Bore range [mm]	Weight, [kg]	Execution
19	231,49	245,5	160	76	3030	35-75	14,80	2
21	255,65	270,5	160	76	3030	35-75	19,50	2
38*	461,39	476,5	175	89	3535	35-90	44,00	7

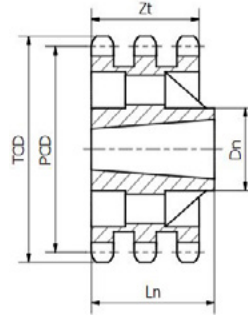
*z38 material = GJL-200



4



5



8

Art.no example

08BL3 23

No. of teeth
ISO Standard and
bushing execution

06B

3/8" x 7/32"
9,525 x 5,72 mm
Roller dia: 6,35 mm
Material: C45
Hardened teeth: No
Welded hub: No

08B

1/2" x 5/16"
12,7 x 7,75 mm
Roller dia: 8,51 mm
Material: C45
Hardened teeth: No
Welded hub: No

12B

3/4" x 7/16"
19,05 x 11,68 mm
Roller dia: 12,07 mm
Material: C45
Hardened teeth: No
Welded hub: No

16B

1" x 17,02 mm
25,4 x 17,02 mm
Roller dia: 15,88 mm
Material: C45
Hardened teeth: No
Welded hub: No

06B3 Zt 25,6

Number of teeth, Z	PCD, [mm]	TCD, [mm]	Dn, [mm]	Ln, [mm]	Taper bush size	Bore range [mm]	Weight, [kg]	Execution
17	51,83	55,5	-	25,6	1008	10-25	0,15	5
21	63,90	67,6	-	25,6	1008	10-25	0,34	5
23	69,95	73,7	-	25,6	1210	10-32	0,30	5
25	75,99	79,7	-	25,6	1210	10-32	0,41	5
27	82,04	85,7	-	25,6	1210	10-32	0,55	5
30	91,12	94,8	79	38	1615	14-42	0,88	4

08B3 Zt 34,9

Number of teeth, Z	PCD, [mm]	TCD, [mm]	Dn, [mm]	Ln, [mm]	Taper bush size	Bore range [mm]	Weight, [kg]	Execution
19	77,16	81,7	62	38	1215	11-32	0,61	4
21	85,21	89,7	70	38	1615	14-42	0,65	4
23	93,27	98,2	70	38	1615	14-42	0,93	4
25	101,33	105,8	-	34,9	2012	16-50	0,85	5
27	109,40	114,0	-	34,9	2012	16-50	1,18	5
38	153,80	158,6	-	34,9	2012	16-50	3,53	5

12B3 Zt 49,8

Number of teeth, Z	PCD, [mm]	TCD, [mm]	Dn, [mm]	Ln, [mm]	Taper bush size	Bore range [mm]	Weight, [kg]	Execution
15	91,62	99,8	-	49,8	1615	14-42	1,11	5
17	103,67	111,5	-	49,8	1615	14-42	1,75	5
19	115,74	123,9	-	49,8	2012	16-50	1,99	5
21	127,82	136,0	-	49,8	2517	18-65	2,09	5
23	139,90	148,1	-	49,8	2517	18-65	3,00	5
25	151,99	160,0	-	49,8	2517	18-65	3,98	5
27	167,08	172,3	140	51	3020	28-75	3,90	4
30	182,25	190,5	140	51	3020	28-75	5,64	4
38	230,69	239,0	140	51	3020	28-75	11,58	4
57*	345,81	355,9	160	51	3020	28-75	13,23	8

16B3 Zt 79,6

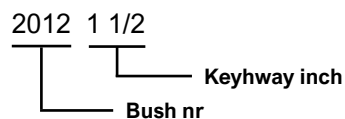
Number of teeth, Z	PCD, [mm]	TCD, [mm]	Dn, [mm]	Ln, [mm]	Taper bush size	Bore range [mm]	Weight, [kg]	Execution
17	138,23	149,0	-	79,6	2517	18-65	4,29	5
19	154,32	165,2	-	79,6	3030	35-75	4,36	5
21	170,42	181,2	-	79,6	3030	35-75	6,69	5
23	186,54	197,5	159	89	3535	35-90	7,80	4
25	202,66	213,5	175	89	3535	35-90	10,93	4
27	218,79	230,4	175	89	3535	35-90	14,06	4
30	243,00	254,0	175	89	3535	35-90	19,10	4
38*	307,58	320,7	175	89	3535	35-90	21,65	8

*z57 material = GJL-200

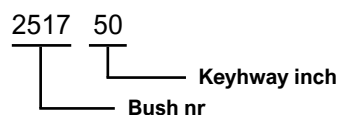
*z38 material = GJL-200



Item no. example tum



Item no. example mm



Conical clamping bush in cast iron that has finished shaft holes with keyways. The main surface treatment a phosphate conversion coating. The keyways follow the standard DIN6885. We can offer sizes from 1008-5050.

Bushings with shaft holes in inches have keyways according to the british standard 46:Pt1

Shaftholes with mark * are only available in short bushing performance. * Dimensions with 2,0 shallower keyways. Make sure to controll that enough clearance exist over the key.

In the table specified "Torque values" you find values for transmittable torque without key, in the measure of Nm.

For those with mark* shall following safet rules be applied: light load/weight factor 2, heavy weight factor 4.

Bush Size	No. of screws	Hex, socket size [mm]	Large end diameter [mm]	Length [mm]	Material [mm]	Weight [mm]
1008	2	3	35	22	Cast Iron	0,1
1108	2	3	38	22	Cast Iron	0,1
1210	2	5	48	25	Cast Iron	0,2
1215	2	5	48	38	Cast Iron	0,3
1310	2	5	51	25	Cast Iron	0,3
1610	2	5	57	25	Cast Iron	0,3
1615	2	5	57	38	Cast Iron	0,5
2012	2	6	57	32	Cast Iron	0,7
2517	2	6	70	45	Cast Iron	1,5
3020	2	8	86	51	Cast Iron	2,7
3030	3	8	108	76	Cast Iron	3,6
3525	3	10	108	65	Cast Iron	3,8
3535	3	10	127	89	Cast Iron	5,0
4030	3	12	127	76	Cast Iron	5,6
4040	3	12	146	102	Cast Iron	7,7
4535	3	14	162	89	Cast Iron	7,5
4545	3	14	162	114	Cast Iron	10
5040	3	14	178	102	Cast Iron	11,1
5050	3	14	178	127	Cast Iron	14

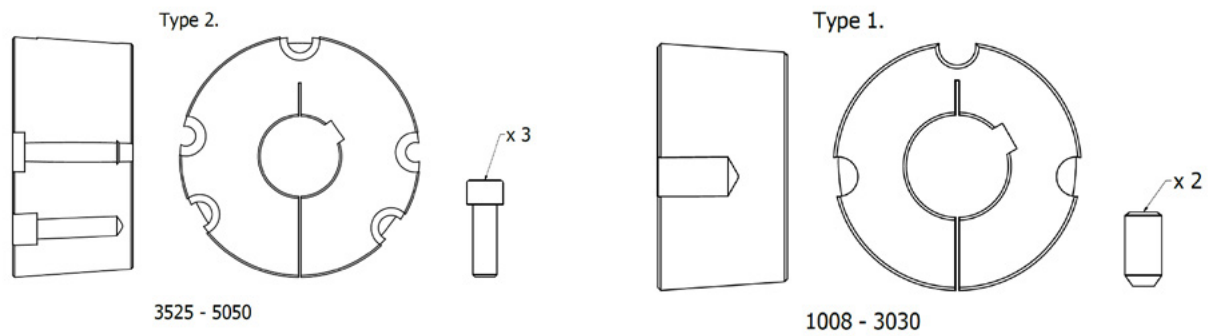


Table for measurement in millimeter

Bore [mm]	Keyway width [mm]	Keyway depth [mm]	Bush Size																		
			1008	1108	1210	1215	1310	1610	1615	2012	2517	3020	3030	3525	3535	4030	4040	4535	4545	5040	5050
11	4	1,8	x	x	x	x		x													
12	4	1,8	x	x	x	x		x													
14	5	2,3	x	x	x	x	x	x	x	x											
15	5	2,3	x	x	x	x	x	x	x	x											
16	5	2,3	x	x	x	x	x	x	x	x											
18	6	2,8	x	x	x	x	x	x	x	x	x										
19	6	2,8	x	x	x	x	x	x	x	x	x										
20	6	2,8	x	x	x	x	x	x	x	x	x										
22	6	2,8	x	x	x	x	x	x	x	x	x										
24	8	3,3	x*	x	x	x	x	x	x	x	x										
25	8	3,3	x*	x	x	x	x	x	x	x	x										
28	8	1,3		x*	x	x	x	x	x	x	x										
30	8	3,3			x	x	x	x	x	x	x	x									
32	10	3,3			x	x	x	x	x	x	x	x	x								
35	10	3,3						x	x	x	x	x	x	x							
38	10	3,3							x	x	x	x	x	x							
40	12	3,3							x	x	x	x	x	x	x	x					
42	12	3,3							x*	x	x	x	x	x	x	x					
45	14	3,8								x	x	x	x	x	x	x					
48	14	3,8								x	x	x	x	x	x	x					
50	14	3,8								x	x	x	x	x	x	x					
55	16	4,3								x	x	x	x	x	x	x	x	x			
60	18	4,4								x	x	x	x	x	x	x	x	x			
65	18	4,4								x	x	x	x	x	x	x	x	x			
70	20	4,9									x	x	x	x	x	x	x	x	x	x	x
75	20	4,9										x	x	x	x	x	x	x	x	x	x
80	22	5,4											x	x	x	x	x	x	x	x	x
85	22	5,4												x	x	x	x	x	x	x	x
90	25	5,4													x	x	x	x	x	x	x
100	28	6,4														x	x	x	x	x	x
105	28	6,4															x	x	x	x	x
110	28	6,4																x	x	x	x
115	32	5,4																	x	x	x
120	32	7,4																		x	x
125	32	7,4																			x
Type			1	1	1	1	1	1	1	1	1	2	2	2	2	2	2	2	2	2	2
Screw dimensions			1/4" x 1/2"	1/4" x 1/2"	3/8" x 5/8"	3/8" x 5/8"	3/8" x 5/8"	3/8" x 5/8"	3/8" x 5/8"	7/16" x 7/8"	1/2" x 1"	5/8" x 1 1/4"	5/8" x 1 1/4"	1/2" x 1 1/2"	1/2" x 1 1/2"	5/8" x 1 3/4"	5/8" x 1 3/4"	3/4" x 2"	3/4" x 2"	7/8" x 2 1/4"	7/8" x 2 1/4"

Table for measurement in inches

Bore [Inch]	Keyway width [Inch]	Keyway depth [Inch]	Bush Size																		
			1008	1108	1210	1215	1310	1610	1615	2012	2517	3020	3030	3525	3535	4030	4040	4535	4545	5040	5050
1/2	1/8	1/16	x	x	x			x													
3/4	3/16	3/32	x	x	x			x		x	x										
1	1/4	1/8	x	x	x			x		x	x										
3/8	1/8	1/16		x																	
7/8	1/4	1/8		x	x			x		x	x	x									
1 1/4	5/16	1/8			x			x	x	x											
1 1/8	5/16	1/8			x			x		x	x										
1 1/2	3/8	1/8						x		x	x	x									
1 7/16	3/16	3/32						x		x		x									
1 3/8	3/8	1/8								x											
1 5/8	7/16	5/32								x	x	x									
1 7/8	1/2	5/32									x	x									
2 1/4	5/8	7/32									x										
2 1/8	5/8	7/32									x	x									
2 15/16	3/4	1/4										x									
2 3/16	5/8	7/32										x									
2 3/8	5/8	7/32												x							
2 7/8	3/4	1/4												x							
3 3/8	7/8	5/16												x							
Type			1	1	1	1	1	1	1	1	1	1	2	2	2	2	2	2	2	2	2
Screw dimensions B.S.W			1/4" x 1/2"	1/4" x 1/2"	3/8" x 5/8"	3/8" x 5/8"	3/8" x 5/8"	3/8" x 5/8"	3/8" x 5/8"	7/16" x 7/8"	1/2" x 1"	5/8" x 1 1/4"	5/8" x 1 1/4"	1/2" x 1 1/2"	1/2" x 1 1/2"	5/8" x 1 3/4"	5/8" x 1 3/4"	3/4" x 2"	3/4" x 2"	7/8" x 2 1/4"	7/8" x 2 1/4"

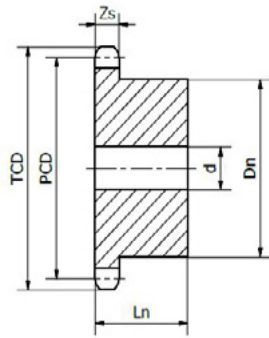
Torque Values

Bush size	Shaft hole Diameter [mm]	Values for transmittable torque without key [Nm]	Values for tightening [Nm]
1008	12	29	5,6
	19	51	
	24	66	
1108	12	28	5,6
	19	49	
	24	64	
	28	79	
1210/15	16	82	20
	19	105	
	24	142	
	32	210	
1610/15	19	98	20
	24	135	
	38	240	
	42	265	
2012	24	165	31
	38	310	
	42	340	
	48	400	
	50	420	
2517/25	24	220	48
	38	320	
	42	430	
	48	510	
	55	600	
	60	670	

3020/30	38	520	90
	48	730	
	55	890	
	60	970	
	75	1300	
3525/35	42	1000	113
	60	1580	
	75	2150	
	90	2600	
	100*	3075	
4030/40	48	1700	170
	60	2300	
	75	3900	
	100	4400	
	115*	5150	
4535/45	55	2500	192
	75	3900	
	100	5500	
	110	6300	
	125*	6625	
5040/50	75	3950	271
	100	5650	
	125	7370	
	130*	7725	

Sprockets in Stainless steel

According to ISO 606, DIN 8187



Art.no example

10B1 15 SS
 ———— Stainless steel
 ———— No. of teeth
 ———— ISO Standard

06B1 Zs 5,3

Number of teeth, z	PCD [mm]	TCD [mm]	d [mm]	Dn [mm]	Ln [mm]	Weight [kg]
13	39,8	43,5	8	28	25	0,13
14	42,58	46,5	8	31	25	0,16
15	45,81	49,5	8	34	25	0,18
16	48,82	52,5	10	37	28	0,28
17	51,83	55,5	10	40	28	0,28
18	54,85	58,6	10	43	28	0,33
19	57,87	61,6	10	45	28	0,36
20	60,89	64,6	10	46	28	0,39
21	63,91	67,6	12	48	28	0,42
23	69,95	73,7	12	52	28	0,5
25	76	79,7	12	57	28	0,6
30	91,12	94,8	12	60	30	0,72

08B1 Zs 7,2

Number of teeth, z	PCD [mm]	TCD [mm]	d [mm]	Dn [mm]	Ln [mm]	Weight [kg]
12	49,07	53,9	10	33	28	0,21
13	53,06	57,9	10	37	28	0,26
14	57,07	61,9	10	41	28	0,32
15	61,09	65,9	10	45	28	0,38
16	65,1	69,9	12	50	28	0,46
17	69,11	74	12	52	28	0,51
18	73,14	78	12	56	28	0,59
19	77,16	82	12	60	28	0,67
20	81,19	86	12	64	28	0,76
21	85,22	90,1	14	68	28	0,85
23	93,27	98,1	14	70	28	0,94
25	101,33	106,2	14	70	28	1,01
30	121,5	126,3	16	80	30	1,46

10B1 Zs 9,1

Number of teeth, z	PCD [mm]	TCD [mm]	d [mm]	Dn [mm]	Ln [mm]	Weight [kg]
13	66,32	73,2	12	47	30	0,46
14	71,34	78,2	12	52	30	0,56
15	76,36	83,2	12	57	30	0,67
16	81,37	88,3	12	60	30	0,76
17	86,39	93,3	12	60	30	0,88
18	91,42	98,3	14	70	30	1,01
19	96,45	103,3	14	70	30	1,15
20	101,49	108,4	14	75	30	1,21
21	106,52	113,4	16	75	30	1,35
23	116,58	123,5	16	80	30	1,47
25	126,66	133,6	16	80	30	1,6
30	151,87	158,8	20	90	35	2,41

12B1 Zs 11,1

Number of teeth, z	PCD [mm]	TCD [mm]	d [mm]	Dn [mm]	Ln [mm]	Weight [kg]
13	79,59	87,8	16	58	35	0,8
14	85,61	93,8	16	64	35	0,97
15	91,63	99,8	16	70	35	1,16
16	97,65	105,8	16	75	35	1,34
17	103,67	111,9	16	80	35	1,53
18	109,71	117,9	16	80	35	1,62
19	115,75	123,9	16	80	35	1,7
20	121,78	130	16	80	35	1,8
21	127,82	136	20	90	40	2,35
23	139,9	148,1	20	90	40	2,56
25	152	160,2	20	90	40	2,8

16B1 Zs 16,2

Number of teeth, z	PCD [mm]	TCD [mm]	d [mm]	Dn [mm]	Ln [mm]	Weight [kg]
12	98,14	109,7	16	69	40	1,43
13	106,12	117,7	16	78	40	1,77
14	114,15	125,7	16	84	40	2,08
15	12,17	133,7	16	92	40	2,46
16	130,2	141,8	20	100	45	3,14
17	138,22	149,8	20	100	45	3,34
18	146,28	157,8	20	100	45	3,56
19	154,33	165,9	20	100	45	3,78
20	162,38	173,9	20	100	45	4,03
21	170,43	182	20	110	50	5,14

06B

3/8" x 7/32"
 9,525 x 5,72 mm
 Roller dia: 6,35 mm
 Material: AISI 304 L
 Hardened teeth: No

08B

1/2" X 5/16"
 12,7 X 7,75 mm
 Roller dia: 8,51 mm
 Material: AISI 304 L
 Hardened teeth: No

10B

5/8" x 3/8"
 15,875 x 9,65 mm
 Roller dia: 10,16 mm
 Material: AISI 304 L
 Hardened teeth: No

12B

3/4" x 7/16"
 19,05 x 11,68 mm
 Roller dia: 12,07 mm
 Material: AISI 304 L
 Hardened teeth: No

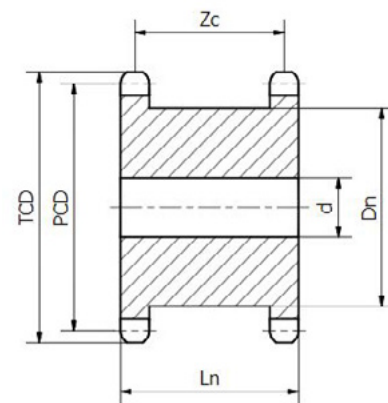
16B

1" x 17,02 mm
 25,4 x 17,02 mm
 Roller dia: 15,88 mm
 Material: AISI 304 L
 Hardened teeth: No

Double simple sprockets

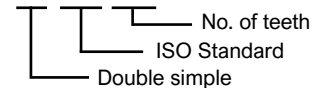
According to ISO 606, DIN 8187

Chain	Number of teeth, z	PCD [mm]	TCD [mm]	Dy [mm]	d [mm]	Ln [mm]	Zc [mm]	Weight, [kg]	Material
06B1 3/8" x 7/32"	13	39,8	43,5	29	10	23	17,7	0,14	C45
	14	42,8	46,5	32	10	23	17,7	0,17	C45
	15	45,81	49,5	35	10	23	17,7	0,2	C45
	16	48,82	52,5	38	12	23	17,7	0,23	C45
	17	51,83	55,5	41	12	23	17,7	0,26	C45
	18	54,85	58,69	44	12	23	17,7	0,3	C45
	19	57,87	61,6	47	12	23	17,7	0,34	C45
	20	60,89	64,6	50	15	23	17,7	0,38	C45
	21	63,91	67,6	53	15	23	17,7	0,43	C45
	23	69,95	73,7	60	15	23	17,7	0,54	C45
	25	76	79,7	66	15	23	17,7	0,65	C45
08B1 1/2" x 5/16"	12	49,07	53,9	36	15	30	22,8	0,27	C45
	13	53,06	57,9	40	15	30	22,8	0,33	C45
	14	57,07	61,9	44	15	30	22,8	0,4	C45
	15	61,09	65,9	48	15	30	22,8	0,47	C45
	16	65,1	69,9	52	15	30	22,8	0,55	C45
	17	69,1	74,3	56	15	30	22,8	0,64	C45
	18	73,14	78	60	15	30	22,8	0,73	C45
	19	77,16	82	64	15	30	22,8	0,84	C45
	20	81,9	86	68	15	30	22,8	0,93	C45
	21	85,2	90,1	72	15	30	22,8	1,03	C45
	23	93,27	98,1	80	15	30	22,8	1,28	C45
25	101,33	106,2	88	15	30	22,8	1,54	C45	
10B1 5/8" x 3/8"	12	61,34	68,2	45	15	34	24,9	0,51	C45
	13	66,32	66,32	50	15	34	24,9	0,62	C45
	14	71,34	71,34	55	15	34	24,9	0,74	C45
	15	76,36	76,36	60	15	34	24,9	0,87	C45
	16	81,37	81,37	65	15	34	24,9	1,02	C45
	17	86,39	86,39	70	15	34	24,9	1,17	C45
	18	91,42	91,42	75	15	34	24,9	1,34	C45
	19	96,45	96,45	80	20	34	24,9	1,49	C45
	20	101,49	101,49	85	20	34	24,9	1,68	C45
	21	106,52	106,52	90	20	34	24,9	1,88	C45
	23	116,58	116,58	100	20	34	24,9	2,3	C45
25	126,66	126,66	110	20	34	24,9	2,77	C45	
12B1 3/4" x 7/16"	12	73,6	81,8	53	20	44	32,9	0,91	C45
	13	79,59	87,8	59	20	44	32,9	1,12	C45
	14	85,61	93,8	65	20	44	32,9	1,33	C45
	15	91,63	99,8	71	20	44	32,9	1,57	C45
	16	97,65	105,8	77	20	44	32,9	1,84	C45
	17	103,67	111,9	83	20	44	32,9	2,12	C45
	18	109,71	117,9	89	20	44	32,9	2,42	C45
	19	115,75	123,9	95	20	44	32,9	2,75	C45
	20	121,78	130	101	20	44	32,9	3,09	C45
	21	127,82	136	107	25	44	32,9	3,42	C45
	23	139,9	148,1	119	25	44	32,9	4,21	C45
25	152	160,2	131	25	44	32,9	5,07	C45	
16B1 1" x 17,02 mm	12	98,14	109,7	72	20	68	51,8	2,58	C45
	13	106,12	117,7	80	20	68	51,8	3,14	C45
	14	114,15	125,7	88	20	68	51,8	3,76	C45
	15	122,174	133,7	96	20	68	51,8	4,44	C45
	16	130,2	141,8	104	25	68	51,8	5,09	C45
	17	138,22	149,8	112	25	68	51,8	5,87	C45
	18	146,28	157,8	120	25	68	51,8	6,7	C45
	19	154,33	165,9	128	30	68	51,8	7,53	C45
21	170,43	182	144	30	68	51,8	9,48	C45	



Art.no example

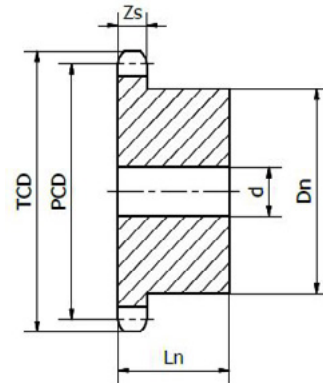
2X 06B Z15



Sprockets with hardened teeth

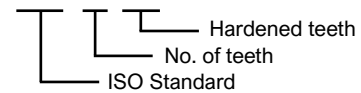
According to ISO 606

Chain	Number of teeth, Z	PCD [mm]	TCD [mm]	d [mm]	Dn [mm]	Ln [mm]	Weight, [kg]	Material
06B1 3/8" x 7/32"	13	39,8	43,5	8	28	25	0,13	C45
	14	42,8	46,5	8	31	25	0,16	C45
	15	45,81	49,5	8	34	25	0,19	C45
	16	48,82	52,5	10	37	28	0,24	C45
	17	51,83	55,5	10	40	28	0,28	C45
	18	54,85	58,6	10	43	28	0,33	C45
	19	57,87	61,6	10	45	28	0,36	C45
	20	60,89	64,6	10	46	28	0,39	C45
	21	63,9	67,6	12	48	28	0,42	C45
	22	66,93	70,6	12	50	28	0,46	C45
	23	69,95	72,7	12	52	28	0,5	C45
	24	72,97	76,7	12	54	28	0,54	C45
	25	76	79,7	12	57	28	0,6	C45
30	91,12	94,8	12	60	30	0,72	C45	
08B1 1/2" x 5/16"	13	53,06	57,9	10	37	28	0,26	C45
	14	57,07	61,9	10	41	28	0,32	C45
	15	61,09	65,9	10	45	28	0,38	C45
	16	65,1	69,9	12	50	28	0,46	C45
	17	69,11	74	12	52	28	0,51	C45
	18	73,14	78	12	56	28	0,59	C45
	19	77,16	82	12	60	28	0,67	C45
	20	81,19	86	12	64	28	0,76	C45
	21	85,22	90,1	14	68	28	0,85	C45
	23	93,27	98,1	14	70	28	0,95	C45
25	101,33	106,2	14	70	28	1,01	C45	
30	121,5	126,3	16	80	30	1,46	C45	
10B1 5/8" x 3/8"	13	66,32	73,2	12	47	30	0,46	C45
	14	71,34	78,2	12	52	30	0,56	C45
	15	76,36	83,2	12	57	30	0,67	C45
	16	81,37	88,3	12	60	30	0,76	C45
	17	86,39	93,3	12	60	30	0,88	C45
	18	91,42	98,3	14	70	30	1,01	C45
	19	96,45	103,3	14	70	30	1,15	C45
	20	101,49	108,4	14	75	30	1,21	C45
	21	106,52	113,4	16	75	30	1,36	C45
	23	116,58	123,5	16	80	30	1,47	C45
	25	126,66	133,6	16	80	30	1,6	C45
	30	151,87	158,8	20	90	35	2,41	C45
12B1 3/4" x 7/16"	13	79,59	87,8	16	58	35	0,8	C45
	14	85,61	93,8	16	64	35	0,97	C45
	15	91,63	99,8	16	70	35	1,16	C45
	16	97,65	105,8	16	75	35	1,34	C45
	17	103,67	111,9	16	80	35	1,53	C45
	18	109,71	117,9	16	80	35	1,62	C45
	19	115,75	123,9	16	80	35	1,7	C45
	20	121,78	130	16	80	35	1,8	C45
	21	127,82	136	20	90	40	2,35	C45
	23	139,9	148,1	20	90	40	2,56	C45
	25	152	160,2	20	90	40	2,8	C45
	30	182,25	190,4	20	95	40	3,63	C45



Art.no example

10B1 13 IND



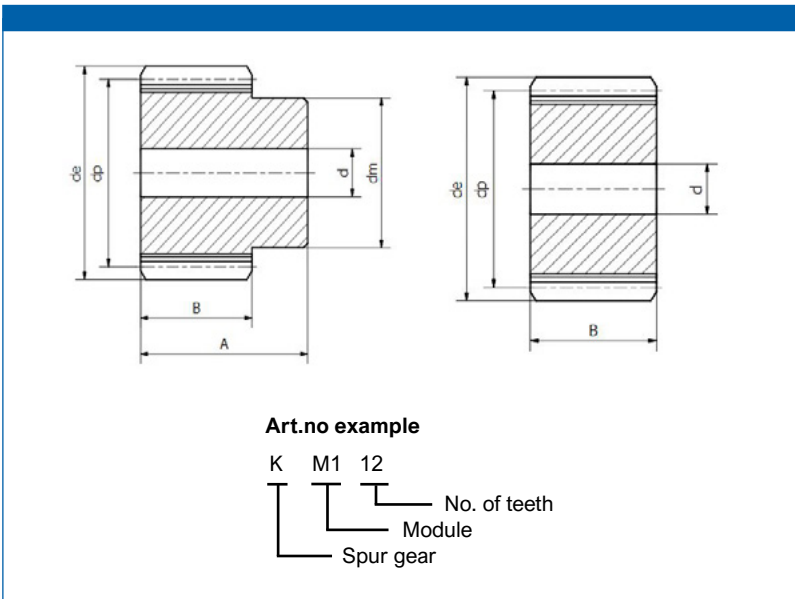
These sprockets are available in multistrand on request.

16B1 1" x 17,02 mm	12	97,14	109,7	16	69	40	1,43	C45
	13	106,12	117,7	16	78	40	1,77	C45
	14	114,15	125,7	16	84	40	2,08	C45
	15	122,17	133,7	16	92	40	2,46	C45
	16	130,2	141,8	16	100	45	3,14	C45
	17	138,22	149,8	20	100	45	3,33	C45
	18	146,28	157,8	20	100	45	3,56	C45
	19	154,33	165,9	20	100	45	3,78	C45
	20	162,37	173,9	20	100	45	4,03	C45
	21	170,43	182	20	110	50	5,01	C45
	23	186,53	198,1	20	110	50	5,56	C45
	24	194,59	206,2	20	110	50	5,86	C45
25	202,66	214,2	20	110	50	6,16	C45	
30	243	254,6	20	120	50	8,38	C45	
20B1 1 1/4" x 3/4"	13	159,15	174,2	25	114	50	3,3	C45
	14	171,22	186,2	25	128	50	3,9	C45
	15	183,26	198,2	25	140	50	4,6	C45
	16	195,3	210,3	25	140	55	5,3	C45
	17	207,34	222,3	25	140	55	5,7	C45
	18	219,42	234,3	25	140	55	6	C45
	19	231,49	246,5	25	140	55	6,5	C45
	20	243,57	258,6	25	140	55	6,9	C45
	21	255,65	270,6	25	150	60	8,9	C45
	23	279,8	294,8	25	150	60	10	C45
	25	304	319	25	150	60	11,1	C45
	30	364,5	379,5	30	160	60	13,2	C45

Spur gears

Material C45, Q-ISO 1328 (8)

Module	Width A [mm]	Width B [mm]	Pressure Angle	Hardening
1	25	15	20°	No
1,5	30	17	20°	No
2	35	20	20°	No
2,5	40	25	20°	No
3	50	30	20°	No
4	60	40	20°	No
5	75	50	20°	No
6	80	60	20°	No



Number of teeth, Z	Module 1					Module 1,5					Module 2					Module 2,5				
	de, [mm]	dp, [mm]	dm, [mm]	d, [mm]	Type	de, [mm]	dp, [mm]	dm, [mm]	d, [mm]	Type	de, [mm]	dp, [mm]	dm, [mm]	d, [mm]	Type	de, [mm]	dp, [mm]	dm, [mm]	d, [mm]	Type
12	14	12	9	6	with hub	21	18	14	8	with hub	28	24	18	10	with hub	35	30	22	10	with hub
13	15	13	10	6	with hub	22,5	19,5	14	8	with hub	30	26	19	10	with hub	37,5	32,5	25	10	with hub
14	16	14	10	6	with hub	24	21	18	8	with hub	32	28	20	10	with hub	40	35	28	10	with hub
15	17	15	12	6	with hub	25,5	22,5	18	8	with hub	34	30	22	10	with hub	42,5	37,5	30	10	with hub
16	18	16	13	6	with hub	27	24	20	8	with hub	36	32	24	10	with hub	45	40	32	10	with hub
17	19	17	14	8	with hub	28,5	25,5	20	8	with hub	38	34	25	10	with hub	47,5	42,5	35	12	with hub
18	20	18	15	8	with hub	30	27	20	8	with hub	40	36	25	10	with hub	50	45	35	12	with hub
19	21	19	15	8	with hub	31,5	28,5	20	8	with hub	42	38	25	10	with hub	52,5	47,5	35	12	with hub
20	22	20	16	8	with hub	33	30	25	8	with hub	44	40	30	10	with hub	55	50	40	12	with hub
21	23	21	16	8	with hub	34,5	31,5	25	10	with hub	46	42	30	12	with hub	57,5	52,5	40	14	with hub
22	24	22	18	8	with hub	36	33	25	10	with hub	48	44	30	12	with hub	60	55	45	14	with hub
23	25	23	18	8	with hub	37,5	34,5	25	10	with hub	50	46	30	12	with hub	62,5	57,5	45	14	with hub
24	26	24	20	8	with hub	39	36	25	10	with hub	52	48	35	12	with hub	65	60,45	45	14	with hub
25	27	25	20	8	with hub	40,5	37,5	25	10	with hub	54	50	35	12	with hub	67,5	62,5	50	14	with hub
26	28	26	20	8	with hub	42	39	30	12	with hub	56	52	40	12	with hub	70	65	50	14	with hub
27	29	27	20	8	with hub	43,5	40,5	30	12	with hub	58	54	40	12	with hub	72,5	67,5	50	14	with hub
28	30	28	20	8	with hub	45	42	30	12	with hub	60	56	40	12	with hub	75	70	50	14	with hub
29	31	29	20	8	with hub	46,5	43,5	30	12	with hub	62	58	40	14	with hub	77,5	72,5	50	14	with hub
30	32	30	20	8	with hub	48	45	30	12	with hub	64	60	40	14	with hub	80	75	55	16	with hub
31	33	31	25	10	with hub	49,5	46,5	35	12	with hub	66	62	45	14	with hub	82,5	77,5	55	16	with hub
32	34	32	25	10	with hub	51	48	35	12	with hub	68	64	45	14	with hub	85	80	55	16	with hub
33	35	33	25	10	with hub	52,5	49,5	35	12	with hub	70	66	45	14	with hub	87,5	82,5	55	16	with hub
34	36	34	25	10	with hub	54	51	35	12	with hub	72	68	45	14	with hub	90	85	55	16	with hub
35	37	35	25	10	with hub	55,5	52,5	35	12	with hub	74	70	45	14	with hub	92,5	87,5	60	16	with hub
36	38	36	25	10	with hub	57	54	35	12	with hub	76	72	45	14	with hub	95	90	60	16	with hub
37	39	37	25	10	with hub	58,5	55,5	40	12	with hub	78	74	50	14	with hub	97,5	92,5	60	16	with hub
38	40	38	25	10	with hub	60	57	40	12	with hub	80	76	50	14	with hub	100	95	60	16	with hub
39	41	39	25	10	with hub	61,5	58,5	40	12	with hub	82	78	50	14	with hub	105,5	97,5	60	16	with hub
40	42	40	25	10	with hub	63	60	40	12	with hub	84	80	50	14	with hub	105	100	70	20	with hub
45	47	45	30	10	with hub	70,5	67,5	50	14	with hub	94	90	60	16	with hub	117,5	112,5	70	20	with hub
48	50	48	30	10	with hub	75	72	50	14	with hub	100	96	70	16	with hub	125	120	80	20	with hub
50	52	50	30	12	with hub	78	75	50	14	with hub	104	100	70	16	with hub	130	125	80	20	with hub
54	56	54	40	12	with hub	84	81	60	15	with hub	112	108	70	16	with hub	155	150	100	20	with hub
60	62	60	40	12	with hub	93	90	60	15	with hub	124	120	70	20	with hub					
64	66	64	50	12	with hub	99	96	70	20	with hub	132	128	80	20	with hub					
72	74	72	-	12	no hub	111	108	-	20	no hub										
80	82	80	-	12	no hub	123	120	-	20	no hub										
114	116	114	-	12	no hub	174	171	-	20	no hub										

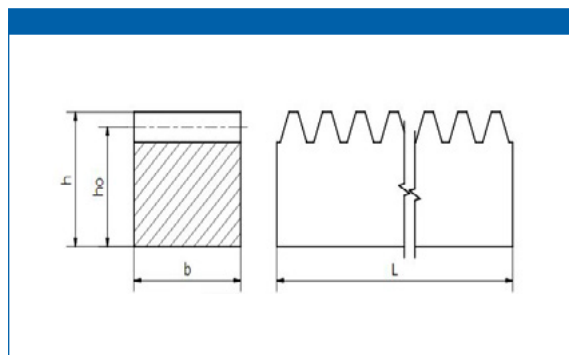
Spur gears

Material C45, Q-ISO 1328 (8)

Number of teeth, Z	Module 3					Module 4					Module 5					Module 6					
	de, [mm]	dp, [mm]	dm, [mm]	d, [mm]	Type	de, [mm]	dp, [mm]	dm, [mm]	d, [mm]	Type	de, [mm]	dp, [mm]	dm, [mm]	d, [mm]	Type	de, [mm]	dp, [mm]	dm, [mm]	d, [mm]	Type	
12	42	36	25	12	with hub	56	48	35	14	with hub	70	60	45	16	with hub	84	72	54	20	with hub	
13	45	39	25	12	with hub	60	52	40	14	with hub											
14	48	42	30	12	with hub	64	56	45	14	with hub											
15	51	45	35	12	with hub	68	60	45	14	with hub	85	75	60	20	with hub	102	90	70	20	with hub	
16	54	48	38	15	with hub	72	64	50	15	with hub	90	80	65	20	with hub	108	96	75	20	with hub	
17	57	51	42	15	with hub	76	68	50	15	with hub											
18	60	54	45	15	with hub	80	72	50	15	with hub	100	80	70	20	with hub	120	108	80	20	with hub	
19	63	57	45	15	with hub	84	76	60	15	with hub											
20	66	60	45	15	with hub	88	80	60	15	with hub	110	100	80	20	with hub	132	120	90	20	with hub	
21	69	63	45	15	with hub	92	84	70	20	with hub											
22	72	66	50	15	with hub	96	88	70	20	with hub											
23	75	69	50	15	with hub																
24	78	72	50	16	with hub	104	96	75	20	with hub	130	120	90	25	with hub	156	144	110	25	with hub	
25	81	75	60	16	with hub	108	100	75	20	with hub											
26	84	78	60	16	with hub																
27	87	81	60	16	with hub																
28	90	84	60	16	with hub																
29	93	87	60	16	with hub																
30	96	90	60	16	with hub	128	120	75	20	with hub	160	150	100	25	with hub	192	180	-	25	no hub	
31	99	93	70	20	with hub																
32	102	96	70	20	with hub	136	128	80	20	with hub	170	160	-	25	no hub	204	192	-	25	no hub	
33	105	99	70	20	with hub																
34	108	102	70	20	with hub																
35	111	105	70	20	with hub																
36	114	108	70	20	with hub	152	144	80	20	with hub											
37	117	111	80	20	with hub																
38	120	114	80	20	with hub																
39	123	117	80	20	with hub																
40	126	120	80	20	with hub	168	160	-	25	no hub	210	200	-	30	no hub						
45	141	135	90	20	with hub	188	180	-	25	no hub	235	225	-	30	no hub						
48	150	144	100	20	with hub	200	192	-	25	no hub	250	240	-	30	no hub						
50	156	150	100	25	with hub	208	200	-	25	no hub	260	250	-	30	no hub						
54																					
60	186	180	-	25	no hub	248	240	-	25	no hub	310	300	-	30	no hub						
64																					
72	222	216	-	25	no hub																
80	246	240	-	25	no hub	328	320	-	25	no hub	410	400	-	30	no hub						
95	291	285	-	25	no hub																

Gear Racks

Material C45, Q-ISO 1328 (8)



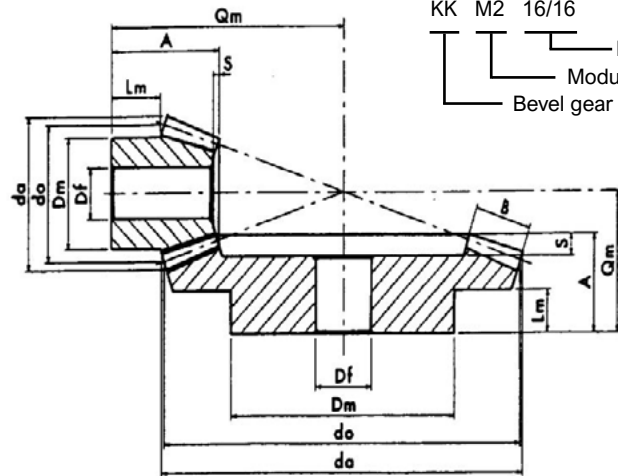
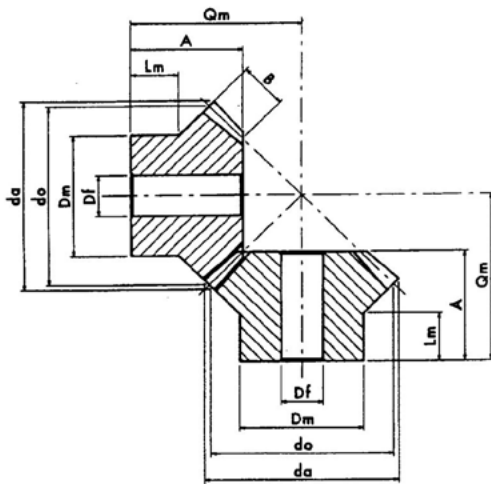
Item No. [JENS S]	Number of teeth, Z	Module	Width B, [mm]	Height H, [mm]	Pitch height Ho, [mm]	Length L, [mm]	Weight [kg/L]	Splicable
KSM1-2	637	M1	15	15	14	2001,2	3,05	yes
KSM1,5-2	425	M1,5	17	17	15,5	2002,7	3,83	yes
KSM2-2	319	M2	20	20	18	2004,3	5,115	yes
KSM2,5-2	255	M2,5	25	25	22,5	2002,7	7,35	yes
KSM3-2	213	M3	30	30	27	2007,5	11,47	yes
KSM4-2	160	M4	40	40	36	2010,6	20,35	yes
KSM5-2	127	M5	50	50	45	1995,0	29,415	yes
KSM6-2	106	M6	60	60	54	1998,0	50,2	yes

Bevel gears

Material C45, Pressure angle 20°, Q-ISO 1328 (8), without hardening.

1:1

1:2 - 1:4

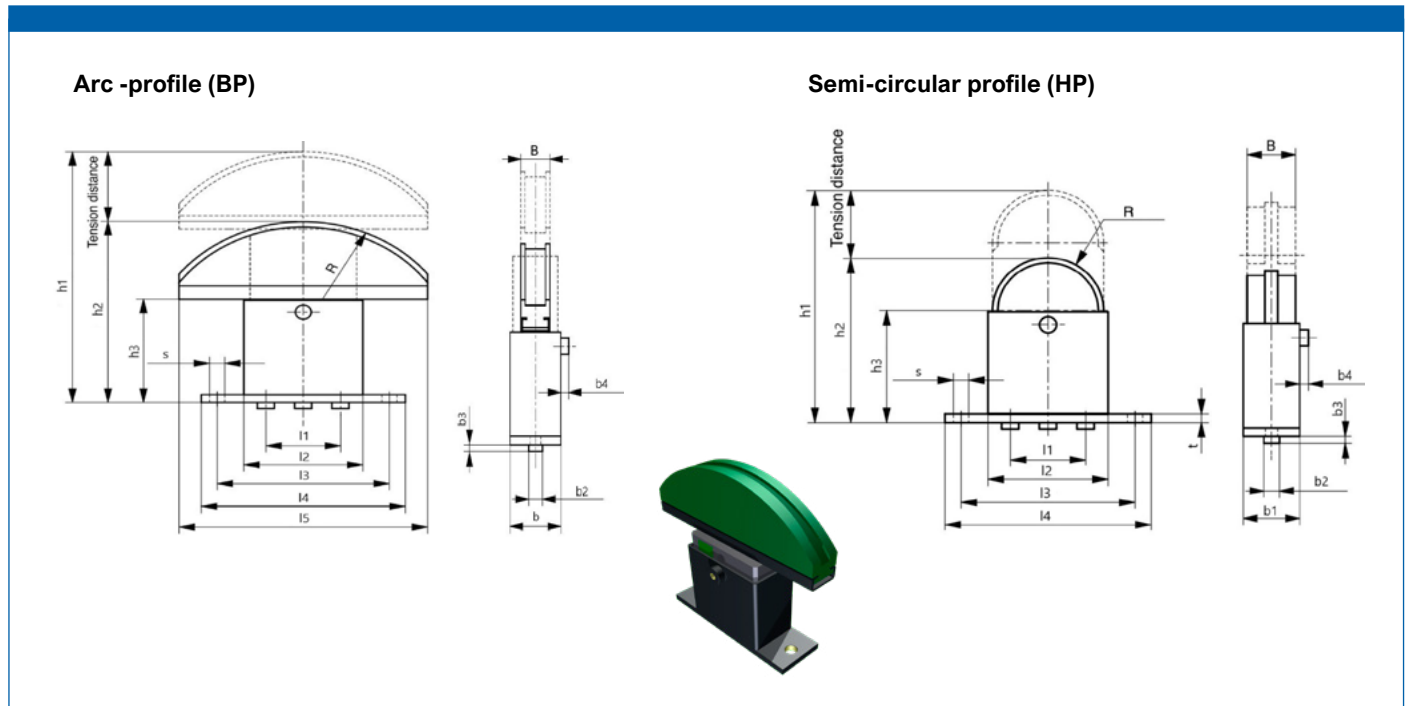


Art.no example

KK M2 16/16

KK — No. of teeth
M2 — Module
16/16 — Bevel gear

Ratio	Module	Z1	Z2	do1, [mm]	do2, [mm]	da1, [mm]	da2, [mm]	Dm1, [mm]	Dm2, [mm]	Df1 [mm]	Df2 [mm]	B, [mm]	Lm1, [mm]	Lm2, [mm]	A1, [mm]	A2, [mm]	S1, [mm]	S2, [mm]	Qm1, [mm]	Qm2, [mm]	Tolerance QM	min	max
1:1	M1,5	16	16	24	-	26,1	-	18	-	8	-	6	12	-	18,9	-	2	-	26	-	-0,02	0,02	
	M1,5	20	20	30	-	32,1	-	22	-	10	-	10	8,5	-	20	-	2	-	27,4	-	-0,02	0,02	
	M1,5	22	22	33	-	35,1	-	25	-	10	-	10	9,7	-	20	-	2	-	30,2	-	-0,02	0,02	
	M1,5	25	25	37,5	-	39,6	-	28	-	10	-	10	12	-	23	-	2	-	34,1	-	-0,03	0,03	
	M1,5	30	30	45	-	47,1	-	30	-	12	-	12	12	-	25	-	2,5	-	38,4	-	-0,03	0,03	
	M2	16	16	32	-	34,8	-	25	-	10	-	8	14	-	23,5	-	3	-	33	-	-0,02	0,02	
	M2	20	20	40	-	42,8	-	32	-	10	-	12	12	-	25	-	3	-	35,8	-	-0,03	0,03	
	M2	22	22	44	-	46,8	-	36	-	10	-	12	11,7	-	25	-	3	-	37,7	-	-0,03	0,03	
	M2	25	25	50	-	52,8	-	40	-	12	-	14	12,3	-	28	-	3	-	42,3	-	-0,03	0,03	
	M2	30	30	60	-	62,8	-	50	-	12	-	16	12,8	-	30	-	3	-	47,8	-	-0,03	0,03	
	M2,5	16	16	40	-	43,5	-	30	-	12	-	10	15	-	28,1	-	3,5	-	40	-	-0,03	0,03	
	M2,5	20	20	50	-	53,5	-	40	-	12	-	12	160	-	30,5	-	3,5	-	45,9	-	-0,03	0,03	
	M2,5	22	22	55	-	58,5	-	45	-	12	-	12	15,9	-	30,5	-	3,5	-	48,3	-	-0,03	0,03	
	M2,5	25	25	62,5	-	66	-	50	-	15	-	15	16	-	33,5	-	3,5	-	53	-	-0,03	0,03	
	M2,5	30	30	75	-	78,5	-	55	-	15	-	18	16	-	35,5	-	3,5	-	59,1	-	-0,03	0,03	
	M3	16	16	48	-	52,2	-	40	-	15	-	12	18	-	31,7	-	4	-	46	-	-0,03	0,03	
M3	20	20	60	-	64,2	-	45	-	15	-	18	13,6	-	35	-	4	-	51	-	-0,03	0,03		
M3	22	22	66	-	70,2	-	50	-	15	-	18	13	-	35	-	4	-	54	-	-0,03	0,03		
M3	25	25	75	-	79,2	-	55	-	15	-	20	16	-	38	-	4	-	60	-	-0,03	0,03		
M3	30	30	90	-	94,2	-	60	-	20	-	22	17	-	40	-	4	-	68	-	-0,04	0,04		
1:2	M1,5	16	32	24	48	26,7	49,3	21	32	10	12	8	11,3	10	19,5	20	1,5	3	35,8	27,5	-0,03	0,03	
	M2	16	32	32	64	35,6	65,8	26	40	10	12	10	12,2	10	23	25	2	4	45,4	32,2	-0,03	0,03	
	M2,5	16	32	40	80	44,4	82,2	34	50	12	15	12	14,4	10	27,5	25	2,5	5	55,9	39,1	-0,03	0,03	
	M3	16	32	48	96	53,4	98,7	40	60	15	15	15	11,6	10	28	30	3	6	61,6	45,3	-0,04	0,04	
1:3	M1,5	16	48	24	72	26,9	72,9	20	50	10	15	12	11,7	10	24	20	1	3	46,4	27,3	-0,04	0,04	
	M2	16	48	32	96	35,8	97,3	26	60	12	15	15	12,4	10	28,5	23	1,5	4	61,8	32,9	-0,04	0,04	
	M2,5	16	48	40	120	44,7	121,6	32	70	12	20	18	13	10	32	26	2	5	74,4	39,2	-0,05	0,05	
M3	16	48	48	144	53,7	145,9	40	80	15	20	18	12,1	10	32	29	2	6	86,3	45,2	-0,05	0,05		
1:4	M1,5	16	64	24	96	26,9	96,7	18	70	10	45	12	12,2	10	25	22	1	3	61	30,5	-0,05	0,05	
	M2	16	64	32	128	35,9	129	25	80	12	20	15	8,2	10	24		1	4	7,1	35,8	-0,05	0,05	
	M2,5	16	64	40	160	44,9	161,2	30	90	15	20	18	8,2	10	30,5	29	1,5	5	91,5	32,8	-0,06	0,06	
	M3	16	64	48	192	53,8	193,5	40	100	15	20	22	11	10	34	30	2	6	108,1	46,4	-0,06	0,06	



Murtfeldts tensioning systems are free-running and resilient. The systems aim to keep the overall force on the slack strand, resulting from the weight of the chain and the centrifugal force, under control. Jens S can provide Spannboxes in arc or semi-circular profiles sizes 0,1,2 and 30. Spannboys are available upon your request.

Properties - Arc segment profile

- Slide profile shape with optimum mechanical properties
- Simultaneous contact with several rollers
- Optimum chain protection

Properties - Semi-circular profile

- For 90° deflection
- Contact with only very few chain rollers
- Recommended where space is at a premium

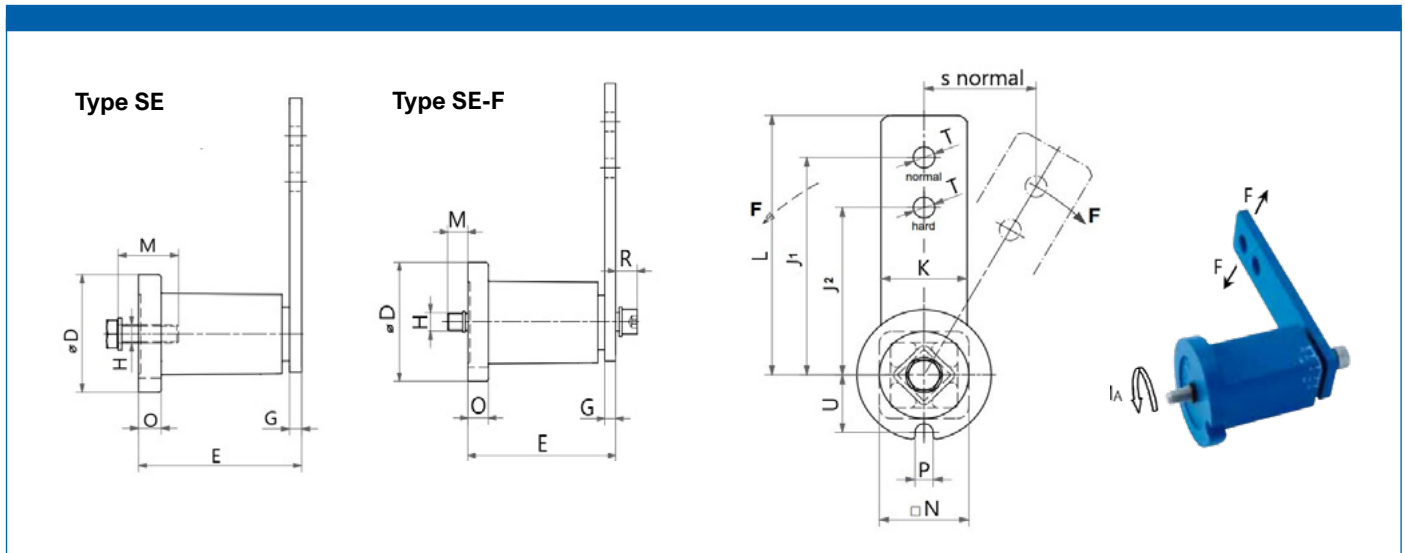
Semi-circular profile																	
Item No. Jens S.	Chain	Size	h1 [mm]	h2 [mm]	h3 [mm]	R [mm]	l1 [mm]	l2 [mm]	l3 [mm]	l4 [mm]	d [mm]	t [mm]	B [mm]	b1 [mm]	b2 [mm]	b3 [mm]	b4 [mm]
08B1-0-HP-NF	08B-1	0	134	94	58	37,5		38	52		*		20	27			
08B1-1-HP-NF	08B-1	1	140,3	100,3	69	31,3	42	67	97	115	8,5	5	30	35	10	4	5,5
10B1-1-HP-NF	10B-1	1	140,3	100,3	69	31,3	42	67	97	115	8,5	5	30	35	10	4	5,5
12B1-0-HP-NF	12B-1	0	134	94	58	37,5		38	52		*		20	27			
12B1-1-HP-NF	12B-1	1	140,3	100,3	69	31,3	42	67	97	115	8,5	5	30	35	10	4	5,5
12B1-2-HP-NF	12B-1	2	203	143	86	57	76	120	155	180	11	5	33	40	10	4	5,5
16B1-2-HP-NF	16B-1	2	203	143	86	57	76	120	155	180	11	5	33	40	10	4	5,5

Arc -profile																		
Item No. Jens S.	Chain	Size	R [mm]	h1 [mm]	h2 [mm]	h3 [mm]	l1 [mm]	l2 [mm]	l3 [mm]	l4 [mm]	l5 [mm]	s [mm]	t [mm]	B [mm]	b1 [mm]	b2 [mm]	b3 [mm]	b4 [mm]
08B1-1-BP-NF	08B-1	1	90	158	118	66	42	67	97	115	140	8,5	5	20	35	10	4	5,5
08B1-30-BP-NF	08B-1	30	90	152,5	112,5	63,5	19		80	94		*		20	38			
10B1-1-BP-NF	10B-1	1	90	158	118	66	42	67	97	115	140	8,5	5	20	35	10	4	5,5
10B1-30-BP-NF	10B-1	30	90	152,5	112,5	63,5	19		80	94		*		20	38			
12B1-1-BP-NF	12B-1	1	90	158	118	66	42	67	97	115	140	8,5	5	20	35	10	4	5,5
12B1-2-BP-NF	12B-1	2	150	209	149	86	76	120	155	180	200	11	5	25	40	10	4	5,5
12B1-30-BP-NF	12B-1	30	90	152,5	112,5	63,5	19		80	94		*		20	38			
12B2-2-BP-NF	12B-1	2	150	209	149	86	76	120	155	180	200	11	5	30	40	10	4	5,5
16B1-1-BP-NF	16B-1	1	90	158	118	66	42	67	97	115	140	8,5	5	20	35	10	4	5,5
16B1-2-BP-NF	16B-1	2	150	209	149	86	76	120	155	180	200	11	5	25	40	10	4	5,5
16B1-30-BP-NF	16B-1	30	90	152,5	112,5	63,5	19		80	94		*		20	38			

Feathers								
No. of feathers	Size 0 40 mm feather		Size 1 40 mm feather		Size 2 60 mm feather		Size 30 40 mm feather	
	Normal	heavy	Normal	heavy	Normal	heavy	Normal	heavy
1	58-32 N	132-60 N	58-32 N	132-60 N	148-82 N	262-118 N	58-32 N	132-60 N
2			116-64 N	264-120 N	296-164 N	524-236 N	116-64 N	264-120 N
3			174-96 N	396-180 N	444-246 N	786-354 N	174-96 N	396-180 N

Tensioning systems

Rosta type SE / SE-G / SE-W / SE-F / SE-I



SE / SE-6 / SE-W																
Type	ØD	E	G	H	J ¹	J ²	K	L	M	N	O	P	T	U	Weight [kg]	
SE 11 SE 11-G	35	51	+1 -0,5	5	M6	80	60	20	90	20	22	6	8	8,5	16,5	0,2
SE 15 SE 15-G SE 15-W	45	64	+1 -0,5	5	M6	100	80	25	112,5	25	30	8	8,5	10,5	20,8	0,4
SE 18 SE 18-G SE 18-W	58	79	+1 -0,5	7	M10	100	80	30	115	30	35	10,5	8,5	10,5	25,3	0,6
SE 27 SE 27-G SE 27-W	78	108	+2 -0,5	8	M12	130	100	50	155	40	52	15	10,5	12,5	34,3	1,7
SE 38 SE 38-G SE 38-W	95	140	+2 -0,5	10	M16	175	140	60	205	40	66	15	12,5	20,5	42	3,6
SE 45 SE 45-G SE 45-W	115	200	+3 -1	12	M20	225	180	70	260	50	80	18	12,5	20,5	52	6,4
SE 50 SE 50-G SE 50-W	130	210	+3 -1	20	M24	250	200	80	290	60	87	20	17	20,5	57,5	9

Type SE = Standard, painted area

Type SE-W = Heat resistant, painted surface and red marking

Type SE-G = Oil resistant, nickel plated area, red marking

SE-F																
Type	ØD	E	G	H	J ¹	J ²	K	L	M	N	O	P	T	U	Weight [kg]	
SE-F 15	45	64	+1 -0,5	5	M6	100	80	25	112,5	12	30	8	8,5	10	10,5	0,4
SE-F 18	58	79	+1,5 -0,5	7	M8	100	80	30	115	18	35	10,5	8,5	11	10,5	0,7
SE-F 27	78	108	+2 -0,5	8	M10	130	100	50	155	17	52	15	10,5	15	12,5	1,9
SE-F 38	95	140	+2 -0,5	10	M12	175	140	60	205	16	66	15	12,5	17	20,5	3,7
SE-F 45	115	200	+3 -1	12	M16	225	180	70	260	32	80	18	12,5	24	20,5	6,9
SE-F 50	130	210	+3 -1	20	M20	250	200	80	290	23	87	20	17	27	20,5	10,1

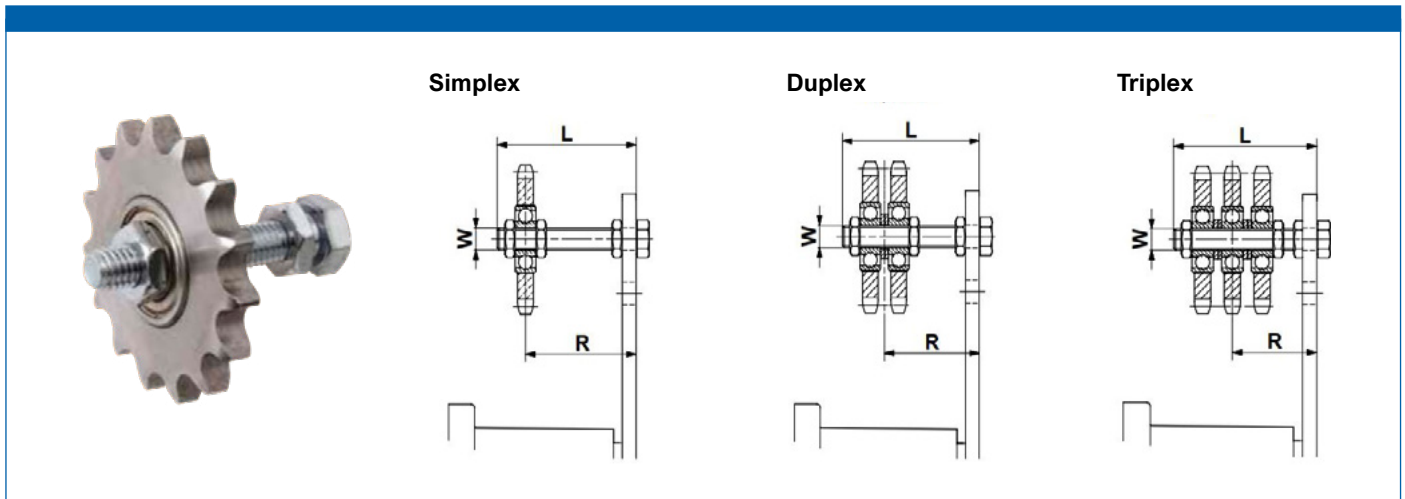
Type SE-F = Front mounted

SE-I																
Type	ØD	E	G	H	J ¹	J ²	K	L	M	N	O	P	T	U	Weight [kg]	
SE-I 15	45	64	+1 -0,5	5	M8	100	80	25	112,5	25	30	8	8,5	10,5	20,8	0,4
SE-I 18	58	79	+1,5 -0,5	7	M10	100	80	30	115	30	35	10,5	8,5	10,5	25,3	0,7
SE-I 27	78	108	+2 -0,5	8	M12	130	100	50	155	40	52	15	10,5	12,5	34,3	2,1
SE-I 40	100	140	+2 -0,5	10	M16	175	140	70	205	40	70	15	12	20,5	41,5	3,8

Type SE-I = Stainless steel

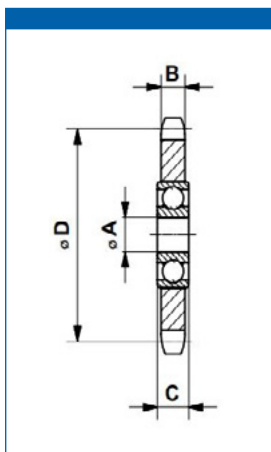
Tensioning systems

Rosta sprocket wheel set type KS



Sprocket wheel set type KS

	Type	Standard	Chain	Number of teeth	W	L	Torque hex nut 0,5d [Nm]	Adjusting range track, R	Size SE	Weight [kg]
Simplex	KS06B115-10	ISO 06B-1	3/8"x 15 S	15	M10	55	20	22-43 / 23-43	SE15 + SE18	0,15
	KS08B115-10	ISO 08B-1	1/2"x 15 S	15	M10	55	20	23-44	SE18	0,2
	KS10B115-12	ISO 06B-1	5/8"x 15 S	15	M12	80	35	27-65	SE 27	0,35
	KS10B115-20	ISO 10B-1	5/8"x15 S	15	M12	80	35	27-65	SE 27	0,35
	KS12B115-12	ISO 12B-1	3/4"x 15 S	15	M12	80	35	27-65	SE 27	0,55
	KS12B115-20	ISO 12B-1	3/4"x 15 S	15	M20	100	172	40-80	SE38	0,85
	KS16B113-20	ISO 16B-1	1" x 13 S	13	M20	100	172	40-80	SE38	1,25
	KS20B113-20	ISO 20B-1	1 1/4"-13 S	13	M20	100	172	40-80 / 48-80	SE 45 + SE 50	2
	KS24B111-20	ISO 24B-1	1 1/2"-11 S	11	M20	140	172	40-120 / 48-120	SE 45 + SE 50	2,35
Duplex	KS06B215-10	ISO 06B-2	3/8"x 15 D	15	M10	55	20	27-39 / 28-39	SE15 + SE18	2
	KS08B215-10	ISO 08B-2	1/2"x 15 D	15	M10	55	20	30-37	SE18	0,35
	KS10B215-12	ISO 10B-2	5/8"x 15 D	15	M12	80	35	36-57	SE27	0,6
	KS12B215-12	ISO 12B-2	3/4"x 15 D	15	M12	80	35	37-56	SE27	1,05
	KS12B215-20	ISO 12B-2	3/4"x 15 D	15	M20	120	172	50-90	SE38	1,35
	KS16B213-20	ISO 16B-2	1" x 13 D	13	M20	120	172	55-84	SE38	2,1
	KS20B213-20	ISO 20B-2	1 1/4"-13 D	13	M20	120	172	60-102 / 68-102	SE45 + SE50	3,6
		KS24B211-20	ISO 24B-2	1 1/2"-11 D	11	M20	120	172	65-97 / 73-97	SE45 + SE50
Triplex	KS06B315-10	ISO 06B-3	3/8"x 15 T	15	M10	70	20	33-48	SE18	0,25
	KS08B315-12	ISO 08B-3	1/2"x 15 T	15	M12	80	35	41-51	SE27	0,5
	KS10B315-12	ISO 10B-3	5/8"x 15 T	15	M12	80	35	43-50	SE27	0,95
	KS10B315-20	ISO 10B-3	5/8"x 15 T	15	M20	120	172	56-84	SE38	1,25
	KS12B315-20	ISO 12B-3	3/4"x 15 T	15	M20	120	172	59-80	SE38	1,5
	KS16B313-20	ISO 16B-3	1" x 13 T	13	M20	160	172	74-108	SE45	2,9
	KS20B313-20	ISO 20B-3	1 1/4"-13 T	13	M20	160	172	78-105 / 86-105	SE45 + SE50	5,2
		KS24B311-20	ISO 24B-3	1 1/2"-11 T	11	M20	180	172	90-111 / 98-111	SE45 + SE50

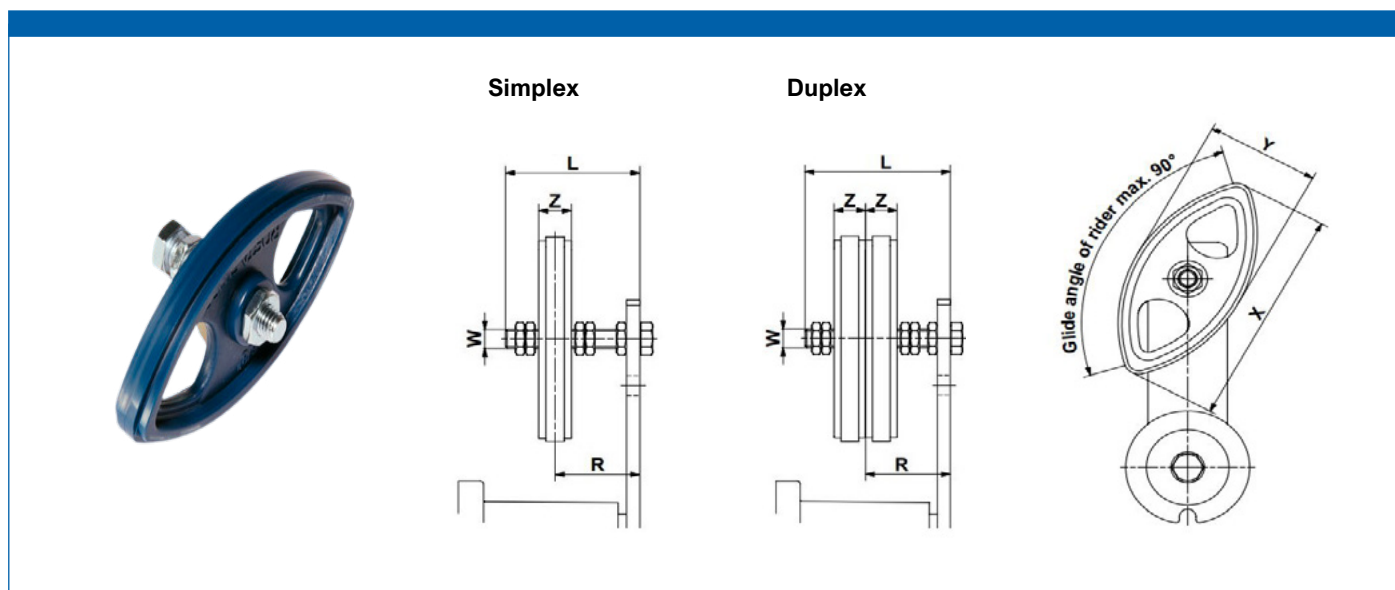


Sprocket wheel type KS

Standard DIN 8187	Type	Number of teeth	A	B	C	D	Weight [kg]
ISO 06 B	3/8" - 10	15	10	5,3	9	45,81	0,06
ISO 08 B	1/2" - 10	15	10	7,2	9	61,08	0,15
ISO 08 B	1/2" - 12	15	12	7,2	12	61,08	0,15
ISO 10 B	5/8" - 12	15	12	9,1	12	76,36	0,27
ISO 10 B	5/8" - 20	15	20	9,1	15	76,36	0,29
ISO 12 B	3/4" - 12	15	12	11,1	12	91,63	0,47
ISO 12 B	3/4" - 20	15	20	11,1	15	91,63	0,47
ISO 16 B	1" - 20	13	20	16,1	15	106,14	0,88
ISO 20 B	1 1/4" - 20	13	20	18,5	15	132,67	1,60
ISO 24 B	1 1/2" 20	11	20	24,1	15	135,23	1,93

Chain rider

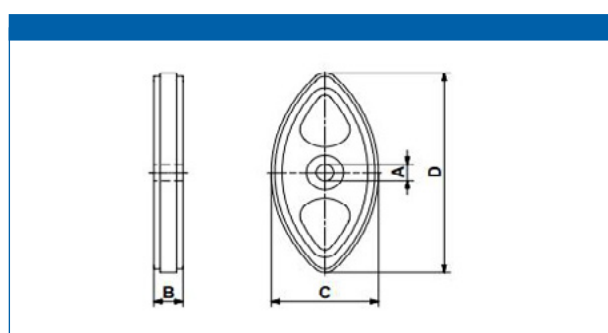
Rosta chain rider type P



For an ideal positioning of the chain rider/s on the threaded rod, we do recommend to position them on each side by means of two nuts, secured against each other, with some play

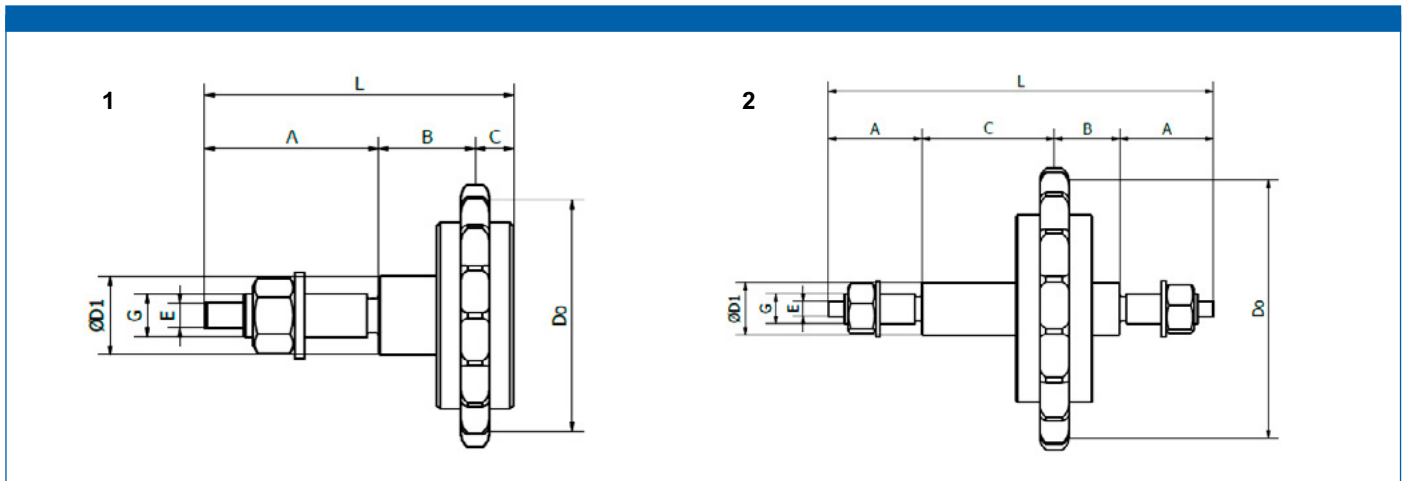
for swivelling into working position. Sizes from 06B-1 - 16B-2 are available upon your request.

Chain rider set type P										
Chain	Standard DIN 8187	Type	W	L	X	Y	Z	Torque hex nut 0,5d [Nm]	Adjusting range track R	Weight [kg]
Simplex	ISO 06B-1	P3/8"-8 S	M8	45	74	37	10,2	11	19-34	0,05
	ISO 08B-1	P1/2"-10 S	M10	55	96	48	13,69	20	23-41	0,1
	ISO 10B-1	P5/8"-10 S	M10	55	125	63	16,6	20	24-39	0,12
	ISO 16B-1	P3/8"-12 S	M12	80	148	72	19,5	35	30-61	0,18
Duplex	ISO 06B-2	P3/8"-8 D	M8	45	74	37	10,2	11	25-30	0,07
	ISO 08B-2	P1/2"-10 D	M10	55	96	48	13,9	20	30-34	0,12
	ISO 10B-2	P5/8"-10 D	M10	70	126	63	16,6	20	34-46	0,17
	ISO 16B-2	P3/8"-12 D	M12	80	148	72	19,5	35	40-52	0,26



Chain rider type P						
Standard DIN 8187	Type	A $\begin{smallmatrix} +0,2 \\ 0 \end{smallmatrix}$	B	C	D	Weight [kg]
ISO 06 B	P3/8"	8	10,2	37	74	0,02
ISO 08 B	P1/2"	10	13,9	48	96	0,03
ISO 10 B	P5/8"	10	16,6	62	126	0,05
ISO 12 B	P3/4"	12	19,5	72	148	0,07

Idler Sprockets



We stock a wide assortment of idler sprockets, type SX and SC. Sprockets in duplex and triplex are available upon your request.

Our SC sprockets are supplied complete with bearings, ready to be fitted at the relevant tension or driving gear points.

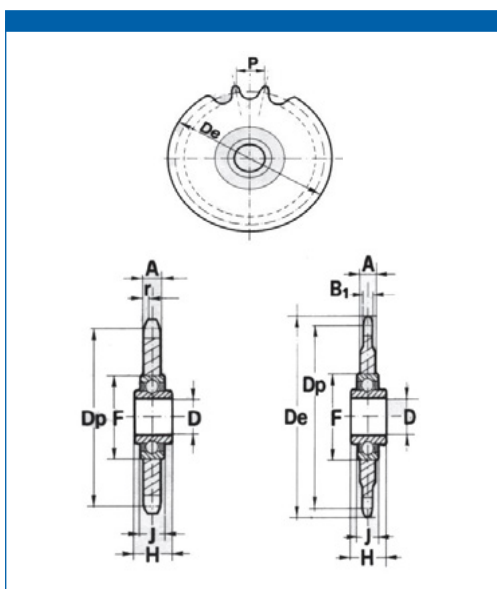
The accurate machining and stable assembly on a ball bearing, with double protection, provides greater resistance to loads and wear. The central "extended" ring on bearing, allows easy assembly on all types of special machinery.

Type SX - with shaft

Item No. Jens S.	Chain type	Number of teeth	Type	A	B	C	Do	D1	E	G	L	No. And type of bearing
SX06B117P	06B1	17	1	34	20	8	51,83	18	6	M10	62	1 x 6201-2RS
SX08B117P	08B1	17	1	45	25	10	69,12	22	7	M12	80	1 x 6203-2RS
SX10B117P	10B1	17	1	55	26	11	86,39	30	8	M16	92	1 x 6205-2RS
SX12B117P	12B1	17	1	55	28	12	103,67	35	10	M20	95	1 x 6206-2RS
SX16B117P	16B1	17	1	67	46	13	138,23	40	10	M20	126	1 x 6207-2RS
SX20B117P	20B1	17	2	60	42	85	172,79	35	10	M20	247	2 x 6207-2RS
SX24B117P	24B1	17	2	70	60	116	207,35	40	10	M20	316	2 x 6208-2RS

Type SX - without shaft

Item	Chain type	Number of teeth	Total width [mm]	C	Do	No. And type of bearing
SX10B117UP	10B1	17	22	11	86,39	1 x 6205-2RS
SX12B117UP	12B1	17	24	12	103,67	1 x 6206-2RS
SX16B117UP	16B1	17	26	13	138,23	1 x 6207-2RS
SX20B117UP	20B1	17	49	24,5	172,79	2 x 6207-2RS



Type SC

Item No. Jens S.	Chain	Z	B1	Dp	De	D	A	F	H	J	
SC06B121	3/8" x 7/32"	21	5,3	63,91	68	16	+ 0,26 + 0,13	7	40	18,3	12
SC08B116	1/2" x 5/16"	16	7,2	65,1	70,9	16	+ 0,26 + 0,13	7,2	40	18,3	12
SC08B118	1/2" x 5/16"	18	7,2	73,14	78,9	16	+ 0,26 + 0,13	7,2	40	18,3	12
SC10B114	5/8" x 3/8"	14	9,1	57,07	61,8	16	+ 0,26 + 0,13	9,1	40	18,3	12
SC10B115	5/8" x 3/8"	15	9,1	61,09	65,5	16	+ 0,26 + 0,13	9,1	40	18,3	12
SC10B117	5/8" x 3/8"	17	9,1	86,3	93	16	+ 0,26 + 0,13	9,1	40	18,3	12
SC12B113	3/4" x 7/16"	13	11,1	79,59	87,5	16	+ 0,26 + 0,13	11,1	40	18,3	12
SC12B115	3/4" x 7/16"	15	11,1	91,63	99,8	16	+ 0,26 + 0,13	11,1	40	18,3	12
SC16B112	1" x 17,02"	12	16,2	98,14	109	20	+ 0,1 + 0	16,2	47	17,7	14
SC20B113	1 1/4" x 3/4"	13	18,5	132,65	147,8	25	+ 0,1 + 0	18,5	52	21	52

Chain holder



Cutting tools



Chain holder



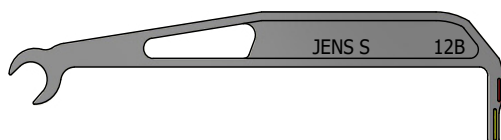
Item no. Jens S.	For chain
KDEL40S	06B1-B2, 08B1-B2
KDEL50S	10B1, 12B1
KDEL60S	12B1
KDEL80S	16B1
KDEL100S	16B1, 20B1

Item no. Jens S.	For chain with pitch size [inch]
KDEL06G	3/8", 1/2", 5/8", 3/4"
KDEL12G	3/4", 1", 1 1/4"

Item no. Jens S	For chain with pitch size [inch]	Model
KDRAG35	3/8" - 3/4"	35
KDRAG80	1" - 3"	80

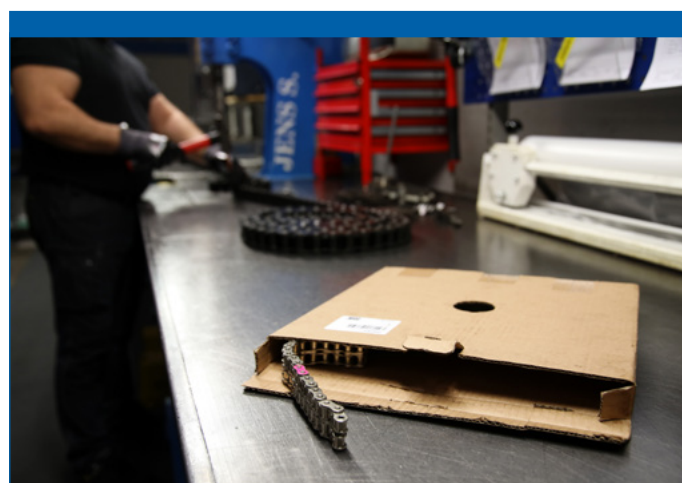
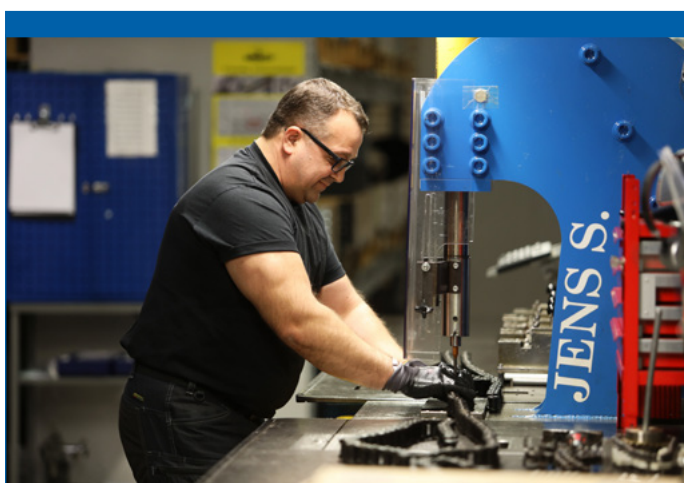
Pin	
Item no. Jens S.	Size
KDEL40SPIN	40 S
KDEL50SPIN	50 S
KDEL60SPIN	60 S
KDEL80SPIN	80 S
KDEL100SPIN	100 S
KDEL40DPIN	40 D

Pin	
Item no. Jens S.	Size
KDEL06GPIN	06 G
KDEL12GPIN	12 G



Chain wear indicator

An easy way of measuring the extension of roller chains. Available on your request.



Jens S. own chain assembly for adaption of roller chains

We can provide customized chains with different lengths attachments according to drawing. We can deliver your chains

pre-stretched, lubricated and matched in pairs. Chains supplied by Jens S. can be obtained with different types of packaging and custom specific labeling.

General technical information

JENS S. manufactures timing pulleys, spurgears m.m. in our own workshop. We manufacture and adapt timing pulleys and spurgears for the specific operating case. We can produce speical spurgears up to module 10, with a max diameter of 1000 mm. The products can therefore be integrated to the exitisting construction, either by adapting stocked standard products or by complete manufacturing. The production takes place in our own workshop, according to sketch, drawing or mentioned specification. The products can be made of aluminium, steel, cast iron or plastic.

We are happy to help with any solution to technical problems, surface, treatment or material selection.

Tolerances for Keyways

Tolerance P9, can de drawn for keyway widths 3-50 mm.
 Tolerance H7 can be drawn for keyway widths 3 - 50 mm
 Tolerance D10 can be drawn for keyway widths 6 - 50 mm
 Tolerance JS9 is drawn for keyway width 2 mm

Normal delivery time: 1 week for small quantities. 2 weeks for larger numbers. Fast delivery acc. to agreement of forcing cost.

Laser Marking

SIC XL-Box

We can:

- Mark on flat surfaces
- Mark on metals
- Mark on surface-treated details
- Write text, straight or curved, different text heights and fonts, uploaded images (JPG, PNG and vector file).
- Label QR, barcode

Coordinate Measuring Machine

Mitutoyo Crysta Plus M574

We can:

- Measure diameters, concentricity, circular runout,
- condicions between diferent objects.
- Do controlls of our own products
- Performe maesurments for customers with measure protocol.

Keyway acc. to DIN 6885/1

D	Keyway width B	Groove depth Base measurement		H	Recommended Stop Screw
		C1	C2		
(6) - 8	2	1,2	1	2	M3
(8) - 10	3	1,8	1,4	3	M3
(10) - 12	4	2,5	1,8	4	M3
(12) - 17	5	3	2,3	5	M4
(17) - 22	6	3,5	2,8	6	M5
(22) - 30	8	4	3,3	7	M6
(30) - 38	10	5	3,3	8	M8
(38) - 44	12	5	3,3	8	M10
(44) - 50	14	5,5	3,8	9	M12
(50) - 58	16	6	4,3	10	M12
(58) - 65	18	7	4,4	11	M16
(65) - 75	20	7,5	4,9	12	M16
(75) - 85	22	9	5,4	14	M16
(85) - 95	25	9	5,4	14	M16
(95) - 110	28	10	6,4	16	M16
(110) - 130	32	11	7,4	18	M16
(130) - 150	36	12	8,4	20	M16
(150) - 170	40	13	9,4	22	M16
(170) - 200	45	15	10,4	25	M16
(200) - 230	50	17	11,4	28	M16

Tolerance H7

Nominal diameter over - including	mm / 1000
6 - 10	+15 0
10 - 18	+18 0
18 - 30	+21 0
30 - 50	+25 0
50 -80	+30 0
80 -120	+35 0

Hobs for:

Spurgears module	Spurgears pitch inch	Sprockets ISO	Timing pulleys	Poly-V
0,6	DP16	3/8"	HTD 5M z 17-79	J
0,8	DP12	1/2"	HTD 8M z 18-200	K
0,8	DP8	5/8"	HTD 14M z 28 - ∞	L
0,9	DP6	3/4"	PC 8M z 28-250	M
1,0			PC 14M z 25-149	
1,3			L 3/8" all number.of teeth	
1,5			H 1/2" all number.of teeth	
1,8			XH 7/8" all number.of teeth	
2,0			T5 z 12-∞	
2,3			AT5 z 15-114	
2,5			AT5-0 z 15-50	
2,7			T10 all number.of teeth	
2,8			T10-SE z 12-20	
3,0			AT10 all number.of teeth	
3,5			AT10-0 Zero backlash for all number.of teeth	
4,0				
4,5				
5,0				
6,0				
7,0				
8,0				
9,0				
10,0				
15,0				
18,0				

Help with Calculation?

We have several methods for helping you as customer with calcuations of products.

FEM - The Finite Element Method

- Strength calculation
- Deformation calculations
- Support for construction
- Accident (breakdown) analysis

3D CAD / Mechanical Design

- Autodesk inventor Pro
- Custom designed models
- Large assemblies

Calculation Program for Spurgears

- Market-leading KISSsoft
- Fast and reliable data
- Model inegration with Inventor.



If you need to contact us, you will find us on our website



Follow us on LinkedIn

JENS S. 

Jens S. Transmissioner AB

Postal adress: Box 903, 601 19 Norrköping

Estate adress: Koppargatan 9, 602 23 Norrköping

Telephone: +46 11-19 80 00 Email: info@jens-s.se