



CONVEYORS MOVING YOUR BUSINESS



**Overhead conveyor –
a smart and flexible
solution for your business**



Facts

Owner: Axel Johnson International*,
Christer Lundgren, Kenth Almqvist and Mathias Frunz.

Headquarters and production: Borås, Sweden

Sales offices: Sweden, Germany, UK,
Czech Republic, USA and Japan.

Markets: 30 countries

Installed systems: Approx. 500

Employees: ca. 50 (120 world wide)

Turnover: 10 MEUR (24 MEUR world wide)

Certifications: ISO 9001 Quality, ISO 14 001
Environment and EN 1090-1

*OCS is part of Axel Johnson International, a global industrial group of more than 150 companies in 30 countries. Axel Johnson International drives business development and growth through a long-term approach to ownership in strategically selected niche markets, primarily technical components and solutions for industrial processes. Axel Johnson International is organised in six business groups: Driveline Solutions, Fluid Handling Solutions, Industrial Solutions, Lifting Solutions, Power Transmission Solutions and Transport Solutions. Axel Johnson International is part of the Swedish family-owned corporate group Axel Johnson.

www.axinter.com



ABOUT US

Moving Your Business

With its headquarters in Borås, one of Sweden's and Europe's leading textile and fashion cities, OCS has a history from the 1960s as a specialist in internal transport systems for the clothing manufacturing industry. Since 1993, when OCS as it is today started, however, the market has expanded considerably with focus on the automotive, aerospace and surface treatment industry.

Today, we are working on a global scale with clients worldwide and presence in many parts of the world.

the foundation for OCS's success is control of our own production in Sweden, but above all our friction-based patented technology for hanging conveyors. A technology that enables us to offer modern industry solutions that are clean and oil-free, ergonomic and quiet, and highly flexible for fast switching. Furthermore, our long experience has given us a strong

position as lean production specialists, through which we help our customers to create the most optimal solution.

Therefore, our core values are Lean, Clean & Green, and our vision is simple but demanding: "Moving Your Business". It is our mission and promise. Put us to the test, we love a challenge.

lean clean green

Questions for the future industry

Modern industry - regardless line of business - is driven by three parameters: Production processes must be efficient and flexible, the industry must be as ergonomic and clean as possible and it must conserve energy and resources in order not have a negative effect on the environment.

We have chosen to call these three success factors for Lean, Clean and Green. Leancleangreen.com is a site for everyone that has an interest in these questions. On this site we link and share important articles worth reading on the topics. Feel free to quote what we say or re-link our articles, but please do not forget to refer to the original source of the article.





OUR TECHNOLOGY

Friction-free by friction

Everyone strives for a frictionless production process where everything is lean. We also do this by building our technology on - friction. A patented technology that provides an oil-free, quiet and flexible conveyor solution.

the track's driving mechanisms on our two overhead conveyors consist of a friction belt for the OCS 150 and a rotating aluminum tube for the OCS 500, both driven by a worm gear.

The OCS 150 carriages are fitted with a friction joint pressed against the drive belt with spring force, the

force being transferred to the drive plate and the carriage driven forward by friction. On the OCS 500, the trolley has four inclined wheels pressed against the rotating tube. The rotational force is then transmitted to the wheels whereby the carriage is driven forward by friction. Clean, quiet and efficient.



Clean and oil-free

Quiet, clean and reliable. No dirty oil as with traditional chain conveyors.



Efficient installation

Quick installation with minor interruption of existing production and easy maintenance.



Flexible and smooth

Modularly-built standard components to enable fast switching.



OVERHEAD CONVEYORS

OCS 150

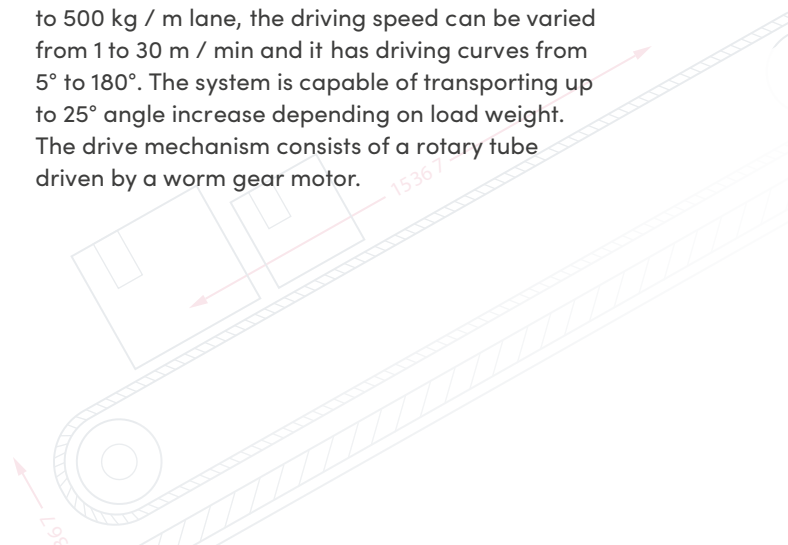
the ocs 150 overhead conveyor manages loads up to 150 kg / m lane, the driving speed can be varied from 1 to 80 m / min and it has driving curves from 5° to 90°. The system is capable of transporting up to 30° angle increase depending on load weight. The drive mechanism consists of a friction belt driven by a worm gear.



OVERHEAD CONVEYORS

OCS 500

the ocs 500 overhead conveyor manages loads up to 500 kg / m lane, the driving speed can be varied from 1 to 30 m / min and it has driving curves from 5° to 180°. The system is capable of transporting up to 25° angle increase depending on load weight. The drive mechanism consists of a rotary tube driven by a worm gear motor.



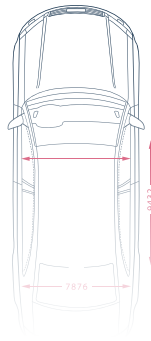


INTERNAL TRANSPORT SYSTEMS

Technology and knowledge for the optimal solution

OCS offers flexible and cost-effective internal transport systems for the modern industry. Through our extensive experience from projects around the world across many industries, we offer clean and green solutions through efficient overhead conveyor systems - from analysis, design and projection, to installation, staff training and deployment.

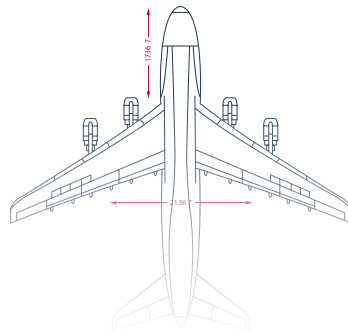
additionall y, we handle all types of processes in stock, production and order picking. Of course, we can also offer solutions that include roller conveyors, chain conveyors and carriers if a clean and efficient overhead conveyor solution needs to be supplemented.



OVERHEAD- AND FLOOR CONVEYORS

Automotive

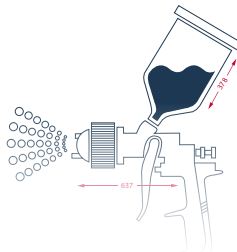
The automotive industry is characterized by many components that are renewed at relatively high frequency, demands on new models and a large number of subcontractors. Like other modern industries at the forefront, the conveyor solutions must be smooth, clean and quiet. With OCS friction-based conveyor systems, all requirements are met – lean, clean & green.



OVERHEAD- AND FLOOR CONVEYORS

Aviation

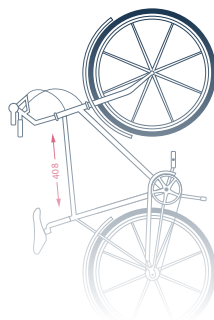
The aviation industry is highly technological and innovative with extremely detailed specified requirements in the manufacture of the aircraft and its parts. The solutions for internal transport systems must be space efficient, ergonomic and flexible. With OCS friction-based overhead systems, all requirements are met – lean, clean & green.



OVERHEAD- AND FLOOR CONVEYORS

Surface treatment

The surface treatment industry is under rapid development, and the main players are planning and working fully according to the lean principle. Furthermore, knowledge of the ATEX Directive is of paramount importance to safety. With OCS friction-based overhead systems, all requirements for clean, safe and environmentally friendly solutions are met.



OVERHEAD- AND FLOOR CONVEYORS

Other industries

We have extensive experience and great knowledge of solving the need for internal transport systems for most industries – from food and clothing to bicycles and furniture. Modern industries at the forefront poses similar requirements even if the solution is tailored – it should be flexible, clean and quiet. Just like OCS solutions with hanging conveyors driven by friction.



CONVEYORS MOVING YOUR BUSINESS

1 Chapel Street,
Warwick Warwickshire, CV34 4HL, UK
+44 7932 700435
sg@ocssystem.co.uk