

AAVP/N 400 T2 0,55kW ATEX Zone 2: FAN (Ex h IIB T3 Gc) + MOTOR (Ex ec IIC T3 Gc) (502604016XN)

GENERAL DATA



ATEX HIGH PRESSURE WITH BACKWARD IMPELLER

MANUFACTURING FEATURES:

- Fan made of Fe360 sheet. The fan paint finish is based on a Qualicoat polyester powder coating stoved at 200°C, with an average film thickness of 70 microns. Average heat resistance of coating is 180°C with peaks of 200°C.
- High efficiency simple inlet backward impeller with self-cleaning system made of Fe360 sheet statically and dynamically balanced. Impellers are painted with polyester y primer that resists temperatures up to 300°C.
- ATEX standard asynchronous motor. ATEX certified according to the zone, squirrel-cage motor with IP-55 protection and class F insulation. Manufactured with standard voltages: 230/400V 50Hz in three phase motors up to 4kW and 400/690V 50Hz for higher powers.
- Standard orientation LG270.

APPLICATIONS:

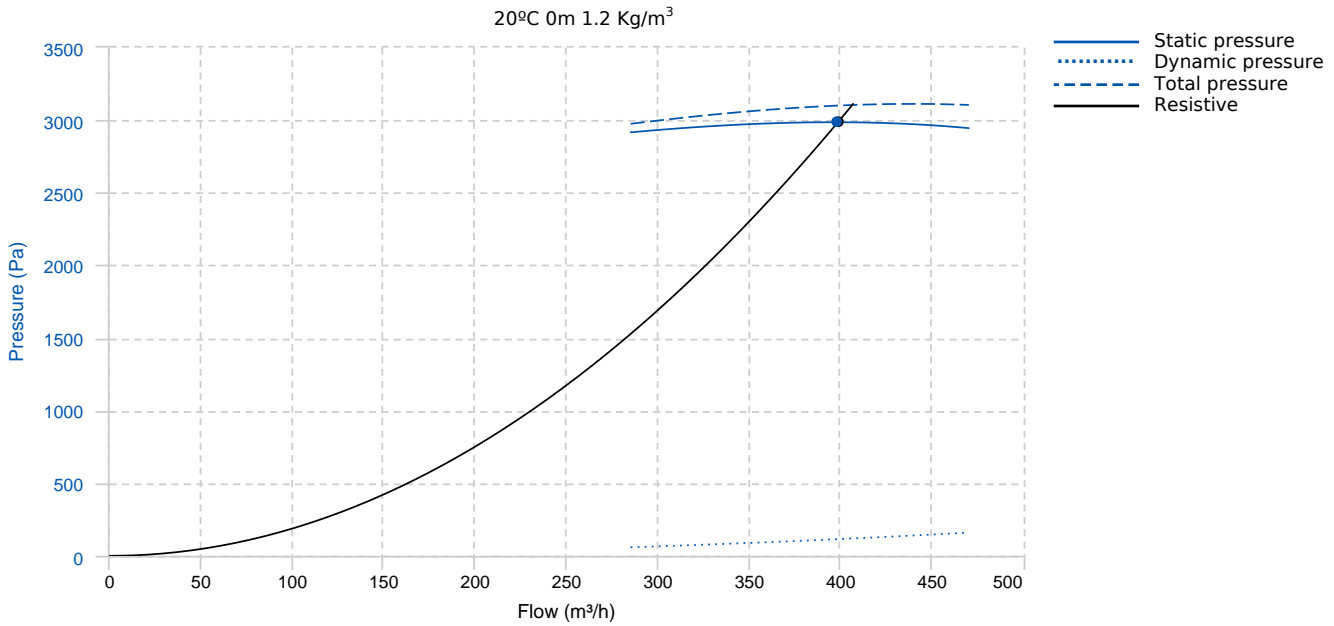
Designed for inline installation, they are suitable for:

- Industrial applications, extraction or injection of air.
- Cooling of machines and parts.
- Clean and slightly dusty air transport.
- Exhaust after filters, separators and cyclones.
- Pneumatic transport.
- Working temperature: ambient from -20°C to 40°C, transported air according to the ATEX classification.

UNDER REQUEST

- Fans for 60Hz and special voltages.
- Inox 304 (normal or electropolished finish)
- Inox 316 (normal or electropolished finish)
- Split casing (for big sizes)
- Drain plug.
- Frontal foot
- Orientation: RD0, RD45, RD90, RD135, RD180, RD225, RD270, RD315, LG0, LG45, LG90, LG135, LG180. LG225, LG315.

PERFORMANCE CURVE



Design point

Flow (m ³ /h)	398.98	Pressure (Pa)	2994.77
--------------------------	--------	---------------	---------

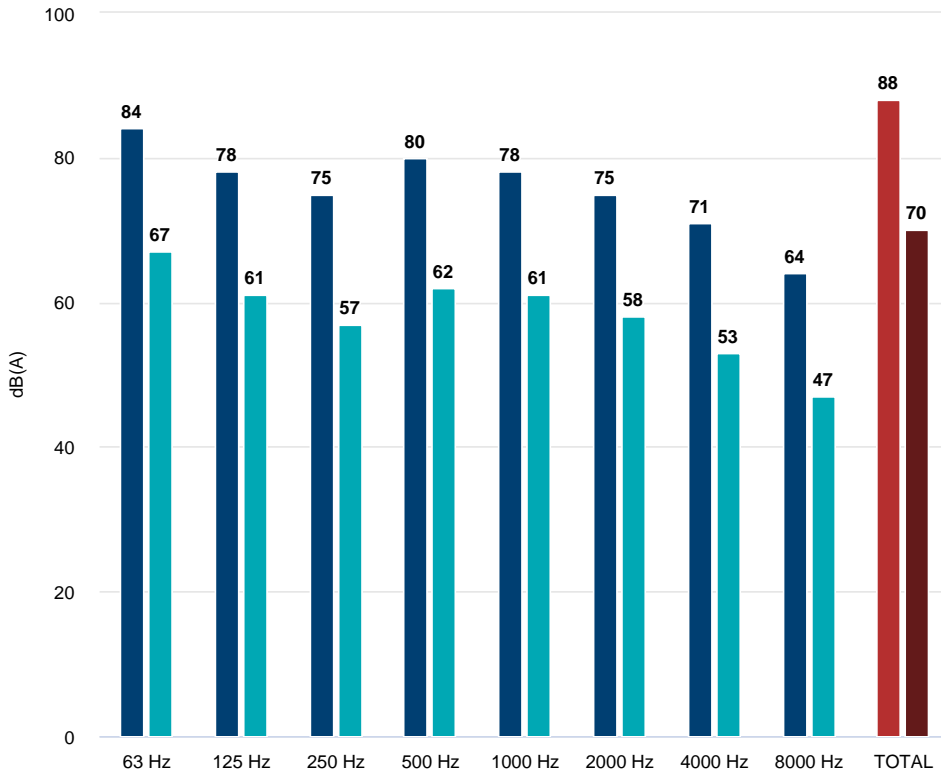
Service point

T.max (°C)	130	Q (m ³ /h)	398.4	Ps (Pa)	2986	Pd (Pa)	114.77
Pt (Pa)	3100.77	Speed (m/s)	13.83	Security coefficient	1.17	Mechanical total efficiency	73.34
Pw.mec (kW)	0.47						

TECHNICAL DATA

Fan							
RPM	2840	Approx. weight	51 kg	Max. Flow	480 m ³ /h		
Motor							
Power	0,55 kW	RPM	2840	I max. (400V)	1,45 A	Size	71
Approx. weight	6.5 kg	Efficiency (%)	70 %	FP	0.78		

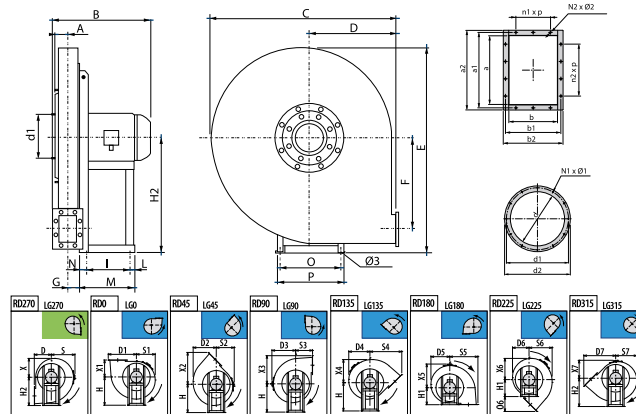
ACOUSTIC DATA (INLET)



Sound power	
63 Hz	84
125 Hz	78
250 Hz	75
500 Hz	80
1000 Hz	78
2000 Hz	75
4000 Hz	71
8000 Hz	64
TOTAL	88

Sound pressure 3m Q=2	
63 Hz	67
125 Hz	61
250 Hz	57
500 Hz	62
1000 Hz	61
2000 Hz	58
4000 Hz	53
8000 Hz	47
TOTAL	70

DIMENSIONS



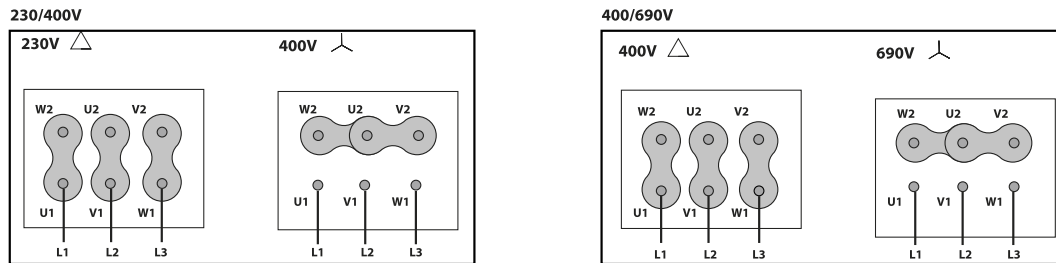
Dimensions (mm)

A	45	B	344	C	620	D	280	D1	350
D2	314	D3	340	D4	302	D5	283	D6	293
D7	445	E	658	F	267	G	42	H	375
H1	375	H2	375	I	121	L	26	M	196

Dimensions (mm)

N	49	N1 x Ø1	Nº8 M6x20	N2 x Ø2	4x10	O	203	O6	165
P	225	S	340	S1	283	S2	293	S3	280
S4	445	S5	350	S6	314	S7	302	X	283
X1	280	X2	445	X3	350	X4	314	X5	340
X6	302	X7	293	a	105	a1	139	a2	165
b	76	b1	110	b2	136	d	145	d1	182
d2	215	n1 x p	-	n2 x p	-	Ø3	10		

WIRING DIAGRAM



ACCESSORIES



ANTI-VIBRATING FLANGE 400º/2H
BA-400 15/16
REF: 960002067



ANTI-VIBRATION JOINT
JE 45
REF: 300719201



CONNECTION FLANGE
AC 150
REF: 960003204



OUTLET PROTECTION GUARD FOR FANS
RI 105x76
REF: 510101000



CIRCULAR OUTLET CONNECTION FLANGE
EI 105x76-150
REF: 510201000



ATEX SWITCH
INT 16 ATEX
REF: 510200016X



FREQUENCY SPEED CONTROLLER
SFC 230 I 4,2A *
REF: SFC230I004



FREQUENCY SPEED CONTROLLER
SFC 400 III 2,2A *
REF: SFC400III2



ANTI-VIBRATION RUBBER BLOCK
AVR (GENERIC)



ANTI-VIBRATION SPRING BLOCK
AVS (GENERIC)



ACOUSTIC CABINS FOR CENTRIFUGAL FANS
CA (GENERIC)