

MBZM P/R ATEX



ATEX MEDIUM PRESSURE FAN WITH STRAIGHT IMPELLER

MANUFACTURING FEATURES:

- Fan made of Fe360 sheet. The fan paint finish is based on a Qualicoat polyester powder coating stoved at 200°C, with an average film thickness of 70 microns. Average heat resistance of coating is 180°C with peaks of 200°C.
- Simple inlet straight blade impeller made of Fe360 sheet statically and dynamically balanced. Impellers are painted with polyester primer that resists temperatures up to 300°C.
- ATEX asynchronous squirrel-cage motor ATEX certified according to the zone. and class F insulation. Manufactured with standard voltages: 230/400V 50Hz in three phase motors up to 4kW and 400/690V 50Hz for higher powers.
- Standard orientation LG270.

APPLICATIONS:

Designed for inline installation, they are suitable for:

- Solid material and textile fibers transport.
- Working temperature: ambient from -20°C to 40°C, transported air according to the ATEX classification.

UNDER REQUEST

- Fans for 60Hz and special voltages.
- Inox 304 (normal or electropolished finish)
- Inox 316 (normal or electropolished finish)
- Split casing (for big sizes)
- Drain plug.
- Frontal foot
- Orientation: RD0, RD45, RD90, RD135, RD180, RD225, RD270, RD315, LG0, LG45, LG90, LG135, LG180. LG225, LG315.

*To place an order for an ATEX fan, you must replace the XY of the code with XE for zone 1, XN for zone 2, XC for zone 22 for conductive dust and XNC for zone 22 for non conductive dust. For fans with inside zone 2 or 22 and outside not classified you must replace for XI.

Accessories



AB



AC



AVR



AVS



BA-400



EI



FS



INT
ATEX



JE 45



SFC

Technical data

Three-phase motor / 2 poles

Code	Model	R.P.M.	Rated I. A 400V	Rated power kW	Max. Airflow m ³ /h	Sound db (A)**	Weight kg	Connect. diagram
501502215XN	MBZM 220 T2 0,37kW P/R ATEX	2850	1,00	0,37	870	51	20	1
501502516XN	MBZM 251 T2 0,55kW P/R ATEX	2840	1,45	0,55	1.090	55	25	1
501502517XN	MBZM 252 T2 0,75kW P/R ATEX	2870	2,00	0,75	1.230	56	30	1
501502818XN	MBZM 281 T2 1,1kW P/R ATEX	2830	2,6	1,10	1.380	57	33	1
501502819XN	MBZM 282 T2 1,5kW P/R ATEX	2850	3,95	1,50	1.810	59	37	1
501503119XN	MBZM 311 T2 1,5kW P/R ATEX	2850	3,95	1,50	1.630	58	43	1
501503127XN	MBZM 312 T2 2,2kW P/R ATEX	2840	5,4	2,20	2.170	61	47	1
501503529XN	MBZM 351 T2 3kW P/R ATEX	2900	7,3	3,00	2.530	63	63	1
501503532XN	MBZM 352 T2 4kW P/R ATEX	2910	9,2	4,00	3.610	65	72	1
501504034XN	MBZM 401 T2 5,5kW P/R ATEX	2910	11,46	5,50	4.330	67	101	1
501504036XN	MBZM 402 T2 7,5kW P/R ATEX	2910	14,1	7,50	5.410	68	106	1
501504521XN	MBZM 452 T2 11kW P/R ATEX	2940	21,4	11,00	7.210	71	155	1
501505024XN	MBZM 501 T2 15kW P/R ATEX	2935	27,4	15,00	9.010	73	180	1
501505028XN	MBZM 502 T2 22kW P/R ATEX	2940	39,8	22,00	10.810	74	250	1

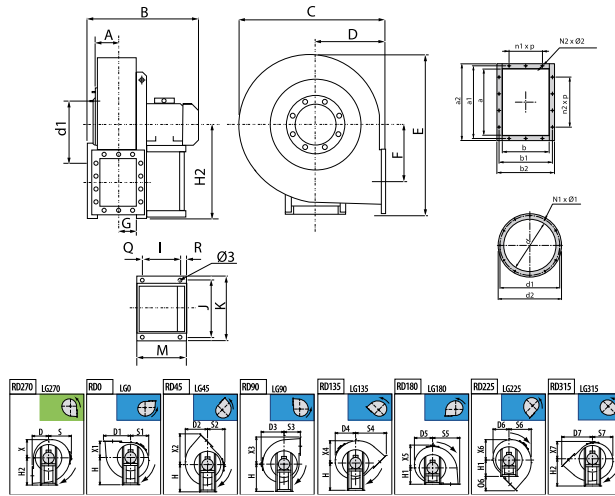
Three-phase motor / 4 poles

Code	Model	R.P.M.	Rated I. A 400V	Rated power kW	Max. Airflow m ³ /h	Sound db (A)**	Weight kg	Connect. diagram
501504546XN	MBZM 454 T4 1,5kW P/R ATEX	1415	3,8	1,50	3.610	57	85	1
501505054XN	MBZM 503 T4 2,2kW P/R ATEX	1440	5,8	2,20	4.690	56	112	1
501505056XN	MBZM 504 T4 3kW P/R ATEX	1420	6,8	3,00	5.410	60	117	1
501505659XN	MBZM 561 T4 4kW P/R ATEX	1450	9,1	4,00	6.130	61	156	1
501505661XN	MBZM 562 T4 5,5kW P/R ATEX	1455	11,5	5,50	7.210	63	177	1
501506363XN	MBZM 631 T4 7,5kW P/R ATEX	1448	15,6	7,50	7.930	64	202	1
501506349XN	MBZM 632 T4 11kW P/R ATEX	1460	20,9	11,00	10.090	66	250	1
501507149XN	MBZM 711 T4 11kW P/R ATEX	1460	20,9	11,00	12.610	68	358	1
501507152XN	MBZM 712 T4 15kW P/R ATEX	1465	29,8	15,00	12.610	68	370	1
501508053XN	MBZM 801 T4 18,5kW P/R ATEX	1470	35,6	18,50	19.810	70	526	1
501508057XN	MBZM 802 T4 30kW P/R ATEX	1475	56,3	30,00	21.610	72	639	1
501509058XN	MBZM 901 T4 37kW P/R ATEX	1470	69,2	37,00	28.810	74	782	1
501509060XN	MBZM 902 T4 45kW P/R ATEX	1475	80,7	45,00	28.810	75	817	1
501510062XN	MBZM 1001 T4 55kW P/R ATEX	1475	97,1	55,00	36.010	76	1083	1
501510064XN	MBZM 1002 T4 75kW P/R ATEX	1485	133,00	75,00	42.130	77	1227	1

Notes:

** Total sound pressure level at the point of maximum flow measured in dB(A) in the suction measured in free field at a distance of 6m from the source

Dimensions



Model	A	B	C	D	D1	D2	D3	D4	D5
MBZM 220 T2 0,37kW P/R ATEX	62	337	391	165	232	200	226	190	175
MBZM 251 T2 0,55kW P/R ATEX	86	396	471	195	314	255	276	235	212
MBZM 252 T2 0,75kW P/R ATEX	86	420	471	195	314	255	276	235	212
MBZM 281 T2 1,1kW P/R ATEX	95	438	505	200	353	287	305	262	231
MBZM 282 T2 1,5kW P/R ATEX	95	485	505	200	353	287	305	262	231
MBZM 311 T2 1,5kW P/R ATEX	105	505	557	225	393	316	332	288	256
MBZM 312 T2 2,2kW P/R ATEX	105	505	557	225	393	316	332	288	256
MBZM 351 T2 3kW P/R ATEX	115	561	630	255	437	359	375	325	288
MBZM 352 T2 4kW P/R ATEX	115	582	630	255	437	359	375	325	288
MBZM 401 T2 5,5kW P/R ATEX	127	646	685	306	487	387	400	353	311
MBZM 402 T2 7,5kW P/R ATEX	127	646	685	306	487	387	400	353	311
MBZM 452 T2 11kW P/R ATEX	141	778	765	320	542	435	445	398	354
MBZM 454 T4 1,5kW P/R ATEX	141	581	765	320	542	435	445	398	354
MBZM 501 T2 15kW P/R ATEX	157	810	862	360	597	490	502	450	400
MBZM 502 T2 22kW P/R ATEX	157	891	862	360	597	490	502	450	400
MBZM 503 T4 2,2kW P/R ATEX	157	644	862	360	597	490	502	450	400
MBZM 504 T4 3kW P/R ATEX	157	644	862	360	597	490	502	450	400

Model	D6	D7	E	F	G	H	H1	H2	I
MBZM 220 T2 0,37kW P/R ATEX	190	280	430	150	55	165	165	255	121
MBZM 251 T2 0,55kW P/R ATEX	215	360	527	175	77	315	195	315	121
MBZM 252 T2 0,75kW P/R ATEX	215	360	527	175	77	315	195	315	121
MBZM 281 T2 1,1kW P/R ATEX	226	391	606	202	86	375	200	375	121
MBZM 282 T2 1,5kW P/R ATEX	226	391	606	202	86	375	200	375	133
MBZM 311 T2 1,5kW P/R ATEX	253	437	656	229	96	400	225	400	133

Model	D6	D7	E	F	G	H	H1	H2	I
MBZM 312 T2 2,2kW P/R ATEX	253	437	656	229	96	400	225	400	133
MBZM 351 T2 3kW P/R ATEX	278	489	738	253	106	450	255	450	197
MBZM 352 T2 4kW P/R ATEX	278	489	738	253	106	450	255	450	197
MBZM 401 T2 5,5kW P/R ATEX	306	546	811	286	118	500	285	500	237
MBZM 402 T2 7,5kW P/R ATEX	306	546	811	286	118	500	285	500	237
MBZM 452 T2 11kW P/R ATEX	342	609	914	321	132	560	320	560	337
MBZM 454 T4 1,5kW P/R ATEX	342	609	914	321	132	560	320	560	133
MBZM 501 T2 15kW P/R ATEX	380	677	1000	355	148	600	360	600	337
MBZM 502 T2 22kW P/R ATEX	380	677	1000	355	148	600	360	600	357
MBZM 503 T4 2,2kW P/R ATEX	380	677	1000	355	148	600	360	600	197
MBZM 504 T4 3kW P/R ATEX	380	677	1000	355	148	600	360	600	197

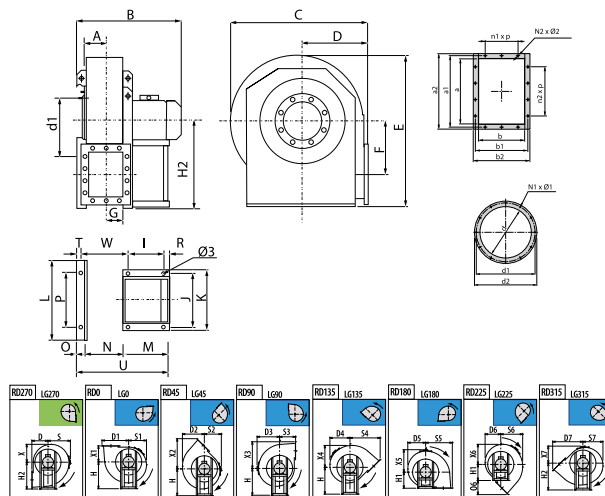
Model	J	K	M	N1xØ1	N2xØ2	O6	Q	R	S
MBZM 220 T2 0,37kW P/R ATEX	203	225	195	Nº4 M6x20	4x8	115	48	26	226
MBZM 251 T2 0,55kW P/R ATEX	203	225	195	Nº8 M6x20	8x12	165	48	26	276
MBZM 252 T2 0,75kW P/R ATEX	203	225	217	Nº8 M6x20	8x12	165	48	48	276
MBZM 281 T2 1,1kW P/R ATEX	203	225	217	Nº8 M6x20	8x12	191	48	48	305
MBZM 282 T2 1,5kW P/R ATEX	234	260	251	Nº8 M6x20	8x12	191	58	60	305
MBZM 311 T2 1,5kW P/R ATEX	234	260	246	Nº8 M6x20	10x12	212	55	58	332
MBZM 312 T2 2,2kW P/R ATEX	234	260	246	Nº8 M6x20	10x12	212	55	17	332
MBZM 351 T2 3kW P/R ATEX	289	324	276	Nº8 M8x25	10x12	234	30	49	375
MBZM 352 T2 4kW P/R ATEX	289	324	276	Nº8 M8x25	10x12	234	30	23	375
MBZM 401 T2 5,5kW P/R ATEX	337	372	336	Nº8 M8x25	10x12	261	40	59	400
MBZM 402 T2 7,5kW P/R ATEX	337	372	336	Nº8 M8x25	10x12	261	40	59	400
MBZM 452 T2 11kW P/R ATEX	395	440	436	Nº8 M8x25	10x12	289	50	49	445
MBZM 454 T4 1,5kW P/R ATEX	234	260	246	Nº8 M8x25	10x12	289	55	58	445
MBZM 501 T2 15kW P/R ATEX	395	440	436	Nº8 M8x25	14x12	317	50	49	502
MBZM 502 T2 22kW P/R ATEX	434	488	460	Nº8 M8x25	14x12	317	70	33	502
MBZM 503 T4 2,2kW P/R ATEX	289	324	276	Nº8 M8x25	14x12	317	30	49	502

Model	J	K	M	N1xØ1	N2xØ2	O6	Q	R	S
MBZM 504 T4 3kW P/R ATEX	289	324	276	N ⁹⁸ M8x25	14x12	317	30	49	502

Model	S1	S2	S3	S4	S5	S6	S7	X	X1
MBZM 220 T2 0,37kW P/R ATEX	175	190	165	280	232	200	190	175	165
MBZM 251 T2 0,55kW P/R ATEX	212	215	195	360	314	255	235	212	195
MBZM 252 T2 0,75kW P/R ATEX	212	215	195	360	314	255	235	212	195
MBZM 281 T2 1,1kW P/R ATEX	231	226	200	391	353	287	262	231	200
MBZM 282 T2 1,5kW P/R ATEX	231	226	200	391	353	287	262	231	200
MBZM 311 T2 1,5kW P/R ATEX	256	253	225	437	393	316	288	256	225
MBZM 312 T2 2,2kW P/R ATEX	256	253	225	437	393	316	288	256	225
MBZM 351 T2 3kW P/R ATEX	288	278	255	489	437	359	325	288	255
MBZM 352 T2 4kW P/R ATEX	288	278	255	489	437	359	325	288	255
MBZM 401 T2 5,5kW P/R ATEX	311	306	285	546	487	387	353	311	285
MBZM 402 T2 7,5kW P/R ATEX	311	306	285	546	487	387	353	311	285
MBZM 452 T2 11kW P/R ATEX	354	342	320	609	542	435	398	354	320
MBZM 454 T4 1,5kW P/R ATEX	354	342	320	609	542	435	398	354	320
MBZM 501 T2 15kW P/R ATEX	400	380	360	677	597	490	450	400	360
MBZM 502 T2 22kW P/R ATEX	400	380	360	677	597	490	450	400	360
MBZM 503 T4 2,2kW P/R ATEX	400	380	360	677	597	490	450	400	360
MBZM 504 T4 3kW P/R ATEX	400	380	360	677	597	490	450	400	360

Model	X2	X3	X4	X5	X6	X7	a	a1	a2
MBZM 220 T2 0,37kW P/R ATEX	280	232	200	226	190	190	124	145	164
MBZM 251 T2 0,55kW P/R ATEX	360	314	255	276	235	215	207	241	277
MBZM 252 T2 0,75kW P/R ATEX	360	314	255	276	235	215	207	241	277
MBZM 281 T2 1,1kW P/R ATEX	391	353	287	305	262	226	231	265	301
MBZM 282 T2 1,5kW P/R ATEX	391	353	287	305	262	226	231	265	301
MBZM 311 T2 1,5kW P/R ATEX	437	393	316	332	288	253	258	292	328
MBZM 312 T2 2,2kW P/R ATEX	437	393	316	332	288	253	258	292	328
MBZM 351 T2 3kW P/R ATEX	489	437	359	375	325	278	288	332	368
MBZM 352 T2 4kW P/R ATEX	489	437	359	375	325	278	288	332	368
MBZM 401 T2 5,5kW P/R ATEX	546	487	387	400	353	306	322	366	402
MBZM 402 T2 7,5kW P/R ATEX	546	487	387	400	353	306	322	366	402
MBZM 452 T2 11kW P/R ATEX	609	542	435	445	398	342	361	405	441
MBZM 454 T4 1,5kW P/R ATEX	609	542	435	445	398	342	361	405	441
MBZM 501 T2 15kW P/R ATEX	677	597	490	502	450	380	404	448	484
MBZM 502 T2 22kW P/R ATEX	677	597	490	502	450	380	404	448	484
MBZM 503 T4 2,2kW P/R ATEX	677	597	490	502	450	380	404	448	484
MBZM 504 T4 3kW P/R ATEX	677	597	490	502	450	380	404	448	484

Model	b	b1	b2	d	d1	d2	n1xp	n2xp	Ø3
MBZM 220 T2 0,37kW P/R ATEX	103	125	143	130	150	170	-	-	10
MBZM 251 T2 0,55kW P/R ATEX	148	182	218	185	219	250	1x112	1x112	10
MBZM 252 T2 0,75kW P/R ATEX	148	182	218	185	219	250	1x112	1x112	10
MBZM 281 T2 1,1kW P/R ATEX	166	200	236	205	241	275	1x112	1x112	10
MBZM 282 T2 1,5kW P/R ATEX	166	200	236	205	241	275	1x112	1x112	10
MBZM 311 T2 1,5kW P/R ATEX	185	219	255	228	265	298	1x112	2x112	10
MBZM 312 T2 2,2kW P/R ATEX	185	219	255	228	265	298	1x112	2x112	10
MBZM 351 T2 3kW P/R ATEX	205	249	285	255	292	325	1x125	2x125	12
MBZM 352 T2 4kW P/R ATEX	205	249	285	255	292	325	1x125	2x125	12
MBZM 401 T2 5,5kW P/R ATEX	229	273	309	285	332	365	1x125	2x125	12
MBZM 402 T2 7,5kW P/R ATEX	229	273	309	285	332	365	1x125	2x125	12
MBZM 452 T2 11kW P/R ATEX	256	300	336	320	366	400	1x125	2x125	14
MBZM 454 T4 1,5kW P/R ATEX	256	300	336	320	366	400	1x125	2x125	10
MBZM 501 T2 15kW P/R ATEX	288	332	368	360	405	440	2x125	3x125	14
MBZM 502 T2 22kW P/R ATEX	288	332	368	360	405	440	2x125	3x125	17
MBZM 503 T4 2,2kW P/R ATEX	288	332	368	360	405	440	2x125	3x125	12
MBZM 504 T4 3kW P/R ATEX	288	332	368	360	405	440	2x125	3x125	12



Model	A	B	C	D	D1	D2	D3	D4	D5
MBZM 561 T4 4kW P/R ATEX	177	712	970	400	657	555	570	542	485
MBZM 562 T4 5,5kW P/R ATEX	177	752	970	400	657	555	570	542	485
MBZM 631 T4 7,5kW P/R ATEX	195	792	1080	450	733	619	630	603	550
MBZM 632 T4 11kW P/R ATEX	195	897	1080	450	733	619	630	603	550

Model	D6	D7	E	F	G	H	H1	H2	I
MBZM 561 T4 4kW P/R ATEX	425	747	1155	390	165	670	400	670	197

Model	D6	D7	E	F	G	H	H1	H2	I
MBZM 562 T4 5,5kW P/R ATEX	425	747	1155	390	165	670	400	670	237
MBZM 631 T4 7,5kW P/R ATEX	476	836	1300	439	185	750	450	750	237
MBZM 632 T4 11kW P/R ATEX	476	836	1300	439	185	750	450	750	337

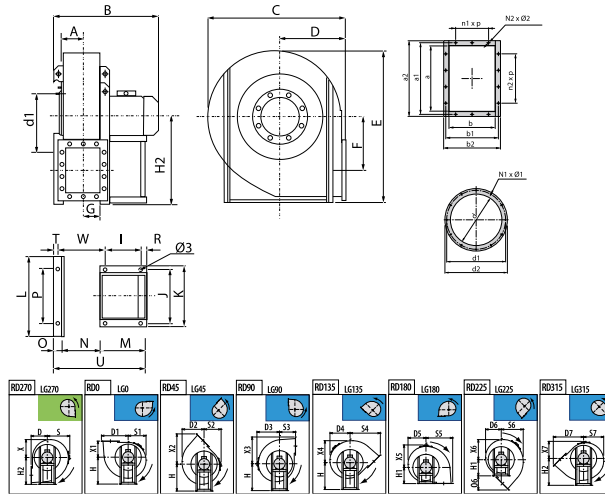
Model	J	K	L	M	N	N1xØ1	N2xØ2	O	O6
MBZM 561 T4 4kW P/R ATEX	289	324	692	277	326	Nº12 M8x25	14x12	53	347
MBZM 562 T4 5,5kW P/R ATEX	337	372	692	337	326	Nº12 M8x25	14x12	53	347
MBZM 631 T4 7,5kW P/R ATEX	337	372	762	337	366	Nº12 M8x25	14x12	53	386
MBZM 632 T4 11kW P/R ATEX	395	440	762	437	366	Nº12 M8x25	14x12	53	386

Model	P	R	S	S1	S2	S3	S4	S5	S6
MBZM 561 T4 4kW P/R ATEX	632	49	570	485	425	400	747	657	555
MBZM 562 T4 5,5kW P/R ATEX	632	59	570	485	425	400	747	657	555
MBZM 631 T4 7,5kW P/R ATEX	702	59	630	550	476	450	836	733	619
MBZM 632 T4 11kW P/R ATEX	702	49	630	550	476	450	836	733	619

Model	S7	T	U	W	X	X1	X2	X3	X4
MBZM 561 T4 4kW P/R ATEX	542	23	656	387	485	400	747	657	555
MBZM 562 T4 5,5kW P/R ATEX	542	23	716	397	485	400	747	657	555
MBZM 631 T4 7,5kW P/R ATEX	603	23	755	436	550	450	836	733	619
MBZM 632 T4 11kW P/R ATEX	603	23	855	446	550	450	836	733	619

Model	X5	X6	X7	a	a1	a2	b	b1	b2
MBZM 561 T4 4kW P/R ATEX	570	542	425	453	497	533	322	366	402
MBZM 562 T4 5,5kW P/R ATEX	570	542	425	453	497	533	322	366	402
MBZM 631 T4 7,5kW P/R ATEX	630	603	476	507	551	587	361	405	441
MBZM 632 T4 11kW P/R ATEX	630	603	476	507	551	587	361	405	441

Model	d	d1	d2	n1xp	n2xp	Ø3
MBZM 561 T4 4kW P/R ATEX	405	448	485	2x125	3x125	12
MBZM 562 T4 5,5kW P/R ATEX	405	448	485	2x125	3x125	12
MBZM 631 T4 7,5kW P/R ATEX	455	497	535	2x125	3x125	12
MBZM 632 T4 11kW P/R ATEX	455	497	535	2x125	3x125	14



Model	A	B	C	D	D1	D2	D3	D4	D5
MBZM 711 T4 11kW P/R ATEX	216	942	1190	500	835	719	690	662	565
MBZM 712 T4 15kW P/R ATEX	216	942	1190	500	835	719	690	662	565
MBZM 801 T4 18,5kW P/R ATEX	241	1092	1342	560	929	811	782	749	641
MBZM 802 T4 30kW P/R ATEX	241	1200	1342	560	929	811	782	749	641
MBZM 901 T4 37kW P/R ATEX	275	1236	1500	630	1038	905	870	835	721
MBZM 902 T4 45kW P/R ATEX	275	1296	1500	630	1038	905	870	835	721
MBZM 1001 T4 55kW P/R ATEX	308	1486	1686	710	1171	1015	976	936	814
MBZM 1002 T4 75kW P/R ATEX	308	1489	1686	710	1171	1015	976	936	814

Model	D6	D7	E	F	G	H	H1	H2	I
MBZM 711 T4 11kW P/R ATEX	497	944	1415	500	202	670	500	850	316
MBZM 712 T4 15kW P/R ATEX	497	944	1415	500	202	670	500	850	316
MBZM 801 T4 18,5kW P/R ATEX	562	1053	1591	560	226	755	560	950	361
MBZM 802 T4 30kW P/R ATEX	562	1053	1591	560	226	755	560	950	401
MBZM 901 T4 37kW P/R ATEX	633	1180	1781	1038	253	850	630	1060	441
MBZM 902 T4 45kW P/R ATEX	633	1180	1781	1038	253	850	630	1060	441
MBZM 1001 T4 55kW P/R ATEX	718	1330	1994	710	284	950	710	1180	500
MBZM 1002 T4 75kW P/R ATEX	718	1330	1994	710	284	950	710	1180	590

Model	J	K	L	M	N	N1xØ1	N2xØ2	O	O6
MBZM 711 T4 11kW P/R ATEX	772	826	914	436	404	Nº12 M8x25	14x14	60	444
MBZM 712 T4 15kW P/R ATEX	772	826	914	436	404	Nº12 M8x25	14x14	60	444
MBZM 801 T4 18,5kW P/R ATEX	862	926	1044	460	453	Nº12 M8x25	14x14	80	493
MBZM 802 T4 30kW P/R ATEX	862	926	1044	500	453	Nº12 M8x25	14x14	80	493

Model	J	K	L	M	N	N1xØ1	N2xØ2	O	O6
MBZM 901 T4 37kW P/R ATEX	962	1026	1144	540	507	Nº12 M10x30	16x14	80	550
MBZM 902 T4 45kW P/R ATEX	962	1026	1144	540	507	Nº12 M10x30	16x14	80	550
MBZM 1001 T4 55kW P/R ATEX	1056	1128	1254	600	569	Nº16 M10x30	14x14	100	620
MBZM 1002 T4 75kW P/R ATEX	1056	1128	1254	690	569	Nº16 M10x30	14x14	100	620

Model	P	R	S	S1	S2	S3	S4	S5	S6
MBZM 711 T4 11kW P/R ATEX	772	49	690	565	497	500	944	835	719
MBZM 712 T4 15kW P/R ATEX	772	49	690	565	497	500	944	835	719
MBZM 801 T4 18,5kW P/R ATEX	862	39	782	641	562	560	1053	929	811
MBZM 802 T4 30kW P/R ATEX	862	39	782	641	562	560	1053	929	811
MBZM 901 T4 37kW P/R ATEX	962	39	870	721	633	630	1180	1038	905
MBZM 902 T4 45kW P/R ATEX	962	39	870	721	633	630	1180	1038	905
MBZM 1001 T4 55kW P/R ATEX	1056	45	976	814	718	710	1330	1171	1015
MBZM 1002 T4 75kW P/R ATEX	1056	45	976	814	718	710	1330	1171	1015

Model	S7	T	U	W	X	X1	X2	X3	X4
MBZM 711 T4 11kW P/R ATEX	662	27	889	497	565	500	944	835	719
MBZM 712 T4 15kW P/R ATEX	662	27	889	497	565	500	944	835	719
MBZM 801 T4 18,5kW P/R ATEX	749	47	993	546	641	560	1053	929	811
MBZM 802 T4 30kW P/R ATEX	749	47	1033	546	641	560	1053	929	811
MBZM 901 T4 37kW P/R ATEX	835	47	1127	600	721	630	1180	1038	905
MBZM 902 T4 45kW P/R ATEX	835	47	1127	600	721	630	1180	1038	905
MBZM 1001 T4 55kW P/R ATEX	936	67	1269	657	814	710	1330	1171	1015
MBZM 1002 T4 75kW P/R ATEX	936	67	1359	657	814	710	1330	1171	1015

Model	X5	X6	X7	a	a1	a2	b	b1	b2
MBZM 711 T4 11kW P/R ATEX	690	662	497	569	629	669	404	464	669
MBZM 712 T4 15kW P/R ATEX	690	662	497	569	629	669	404	464	504
MBZM 801 T4 18,5kW P/R ATEX	782	749	562	638	698	738	453	513	553
MBZM 802 T4 30kW P/R ATEX	782	749	562	638	698	738	453	513	553
MBZM 901 T4 37kW P/R ATEX	870	835	633	715	775	815	507	567	607
MBZM 902 T4 45kW P/R ATEX	870	835	633	715	775	815	507	567	607
MBZM 1001 T4 55kW P/R ATEX	976	936	718	801	871	921	569	639	689
MBZM 1002 T4 75kW P/R ATEX	976	936	718	801	871	921	569	639	689

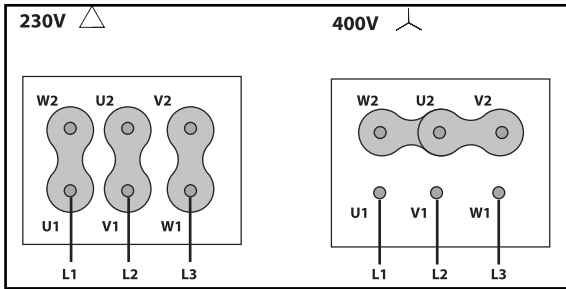
Model	d	d1	d2	n1xp	n2xp	Ø3
MBZM 711 T4 11kW P/R ATEX	505	551	585	2x160	3x160	20
MBZM 712 T4 15kW P/R ATEX	505	551	585	2x160	3x160	20

Model	d	d1	d2	n1xp	n2xp	Ø3
MBZM 801 T4 18,5kW P/R ATEX	565	629	665	2x160	3x160	20
MBZM 802 T4 30kW P/R ATEX	565	629	665	2x160	3x160	20
MBZM 901 T4 37kW P/R ATEX	635	698	735	2x160	4x160	20
MBZM 902 T4 45kW P/R ATEX	635	698	735	2x160	4x160	20
MBZM 1001 T4 55kW P/R ATEX	715	775	815	2x200	3x200	20
MBZM 1002 T4 75kW P/R ATEX	715	775	815	2x200	3x200	20

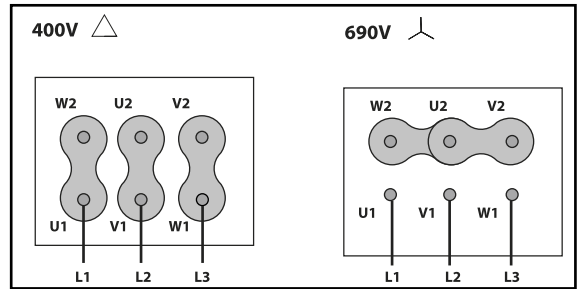
Wiring diagram

Wiring diagram N° 1

230/400V



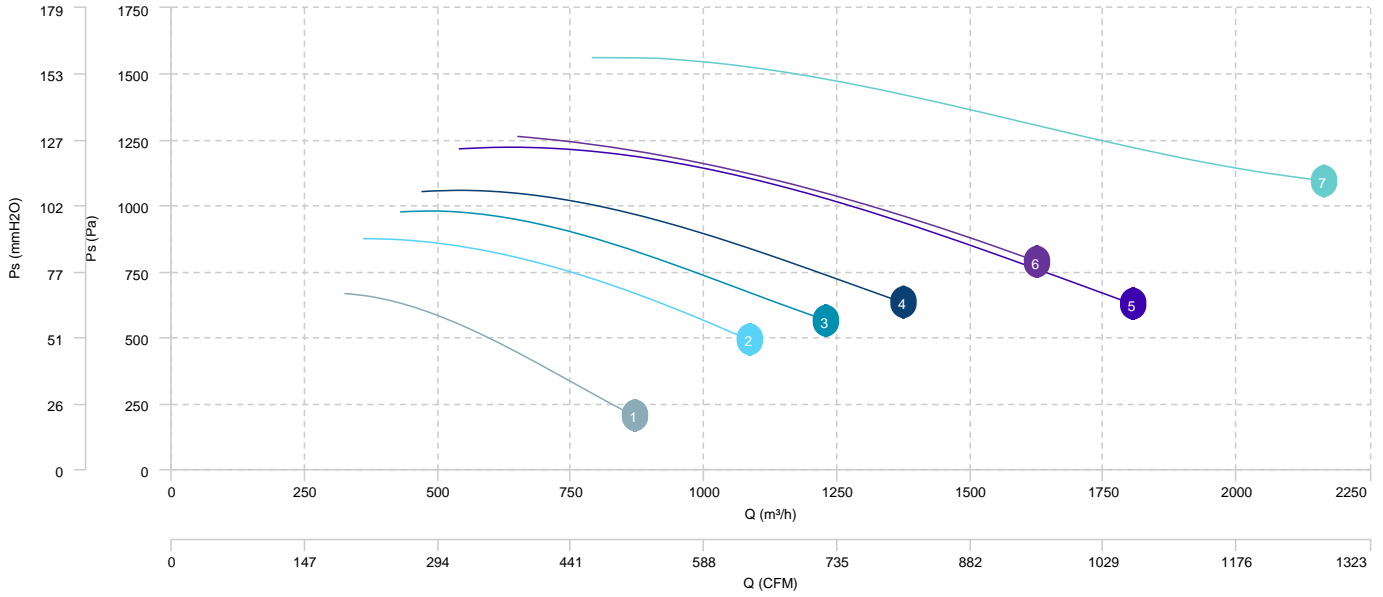
400/690V



CHARACTERISCTIC CURVE

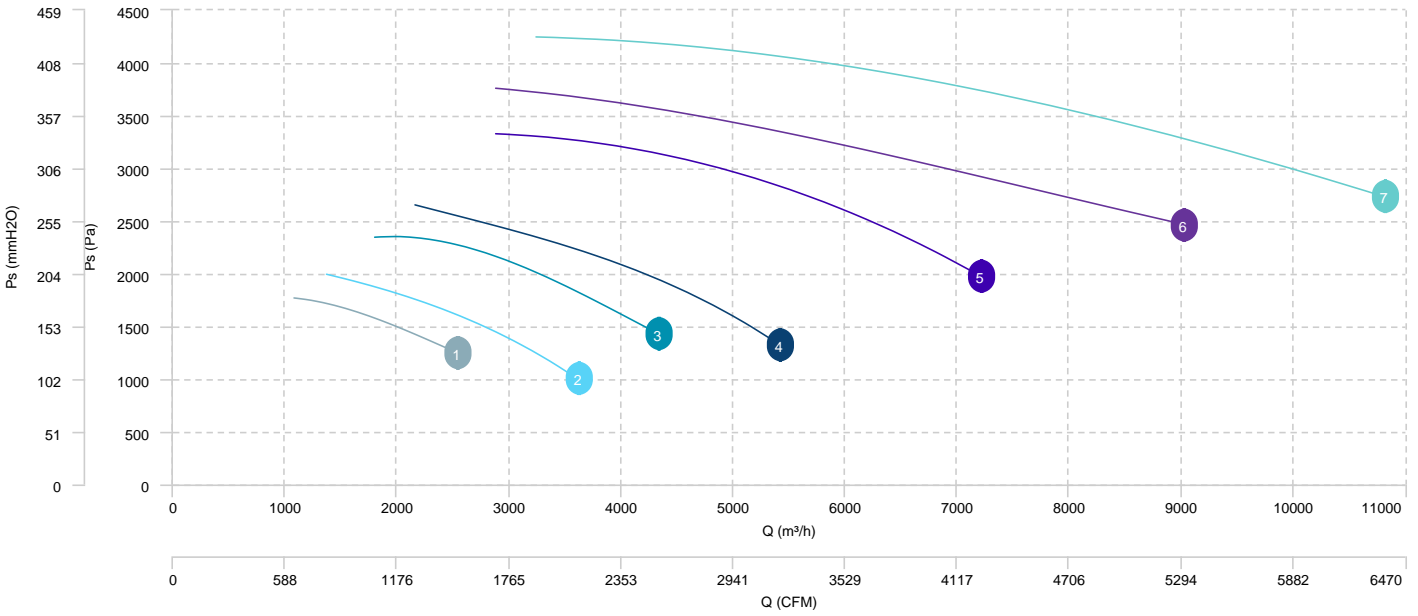
1	MBZM 220 T2 0,37kW P/R ATEX	2	MBZM 251 T2 0,55kW P/R ATEX	3	MBZM 252 T2 0,75kW P/R ATEX	4	MBZM 281 T2 1,1kW P/R ATEX
5	MBZM 282 T2 1,5kW P/R ATEX	6	MBZM 311 T2 1,5kW P/R ATEX	7	MBZM 312 T2 2,2kW P/R ATEX		

AIR FLOW - PRESSURE

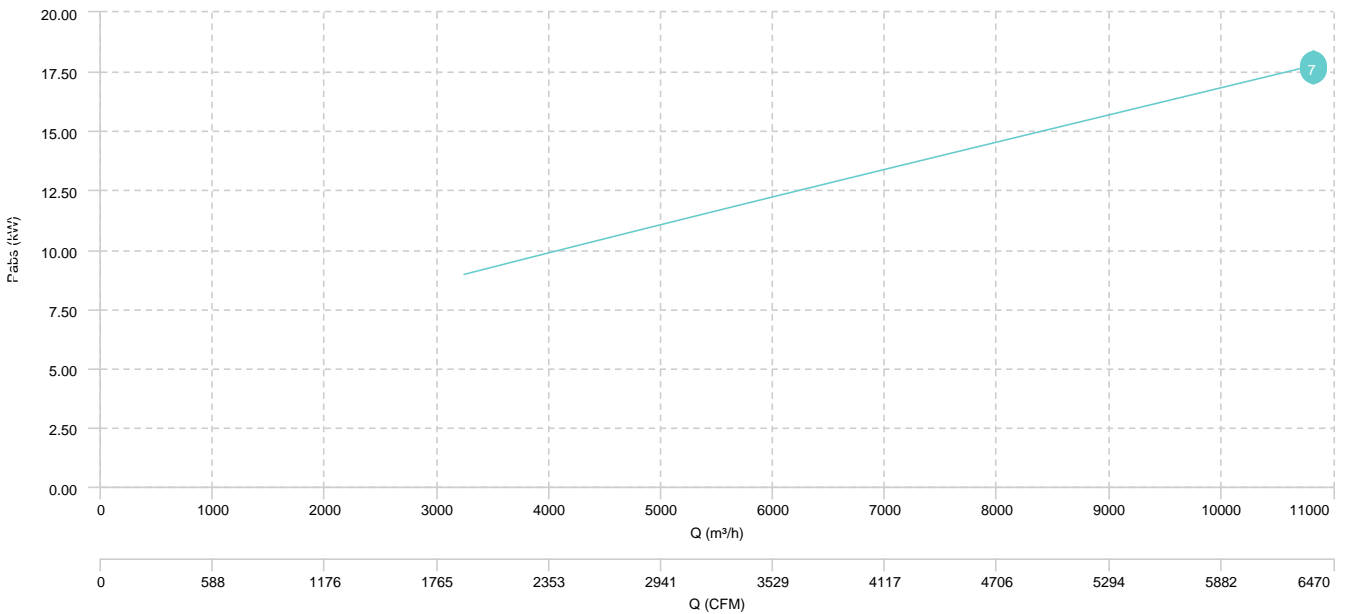


1 MBZM 351 T2 3kW P/R ATEX	2 MBZM 352 T2 4kW P/R ATEX	3 MBZM 401 T2 5,5kW P/R ATEX	4 MBZM 402 T2 7,5kW P/R ATEX
5 MBZM 452 T2 11kW P/R ATEX	6 MBZM 501 T2 15kW P/R ATEX	7 MBZM 502 T2 22kW P/R ATEX	

AIR FLOW - PRESSURE

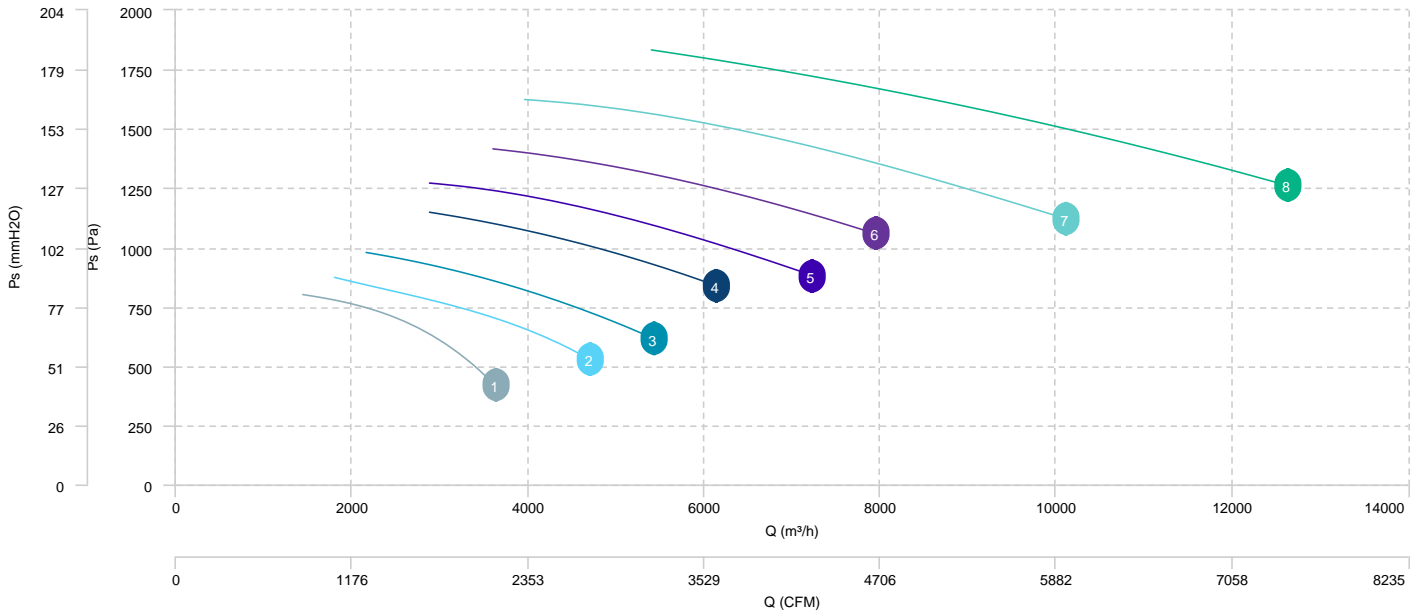


AIR FLOW - ABSORBED POWER



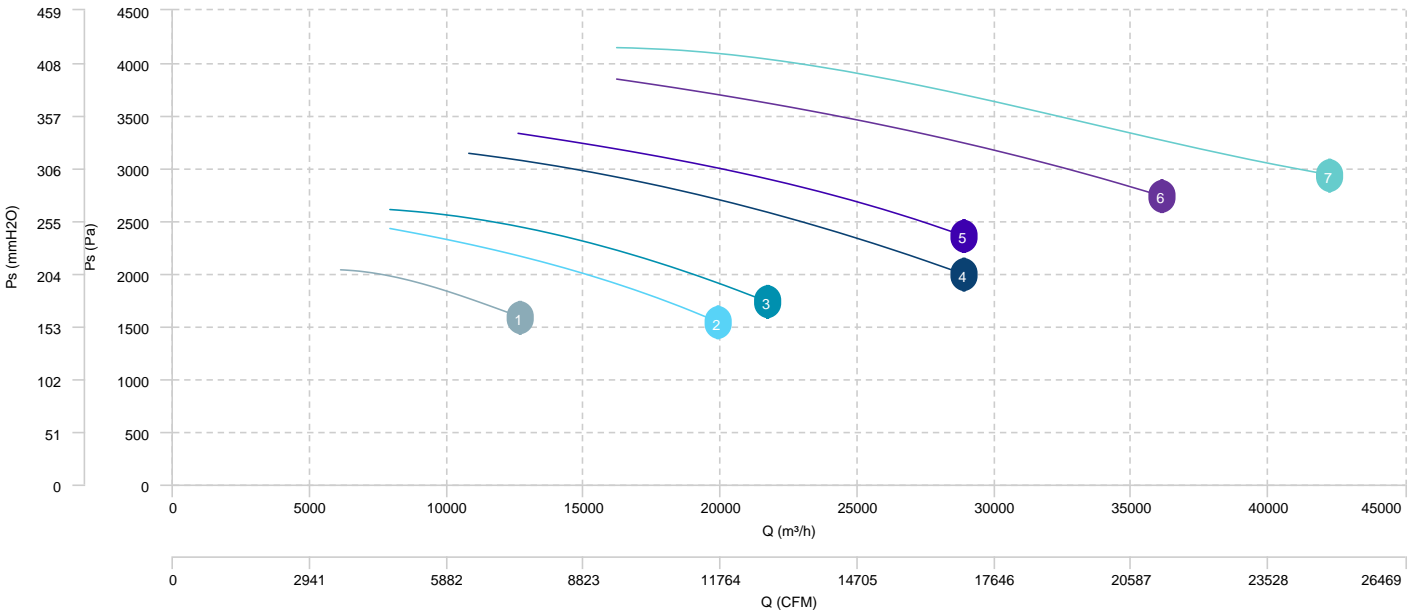
1	MBZM 454 T4 1,5kW P/R ATEX	2	MBZM 503 T4 2,2kW P/R ATEX	3	MBZM 504 T4 3kW P/R ATEX	4	MBZM 561 T4 4kW P/R ATEX
5	MBZM 562 T4 5,5kW P/R ATEX	6	MBZM 631 T4 7,5kW P/R ATEX	7	MBZM 632 T4 11kW P/R ATEX	8	MBZM 711 T4 11kW P/R ATEX

AIR FLOW - PRESSURE



1	MBZM 712 T4 15kW P/R ATEX	2	MBZM 801 T4 18,5kW P/R ATEX	3	MBZM 802 T4 30kW P/R ATEX	4	MBZM 901 T4 37kW P/R ATEX
5	MBZM 902 T4 45kW P/R ATEX	6	MBZM 1001 T4 55kW P/R ATEX	7	MBZM 1002 T4 75kW P/R ATEX		

AIR FLOW - PRESSURE



Sound data

Sound / 2 poles

Sound power Lw dB (A)										
Model		63 Hz	125 Hz	250 Hz	500 Hz	1000 Hz	2000 Hz	4000 Hz	8000 Hz	Total
MBZM 220 T2 0,37kW P/R ATEX	Inlet	50	62	68	72	73	68	62	59	77
MBZM 251 T2 0,55kW P/R ATEX	Inlet	53	65	72	76	77	72	65	62	81
MBZM 252 T2 0,75kW P/R ATEX	Inlet	54	66	72	76	77	73	66	63	82
MBZM 281 T2 1,1kW P/R ATEX	Inlet	55	67	73	78	78	74	67	64	83
MBZM 282 T2 1,5kW P/R ATEX	Inlet	57	69	75	80	80	76	69	66	85
MBZM 311 T2 1,5kW P/R ATEX	Inlet	56	68	75	79	80	75	69	66	84
MBZM 312 T2 2,2kW P/R ATEX	Inlet	59	71	78	82	83	78	72	69	87
MBZM 351 T2 3kW P/R ATEX	Inlet	61	73	80	84	85	80	74	71	89
MBZM 352 T2 4kW P/R ATEX	Inlet	63	75	82	86	87	82	75	72	91
MBZM 401 T2 5,5kW P/R ATEX	Inlet	65	77	84	88	89	84	77	74	93
MBZM 402 T2 7,5kW P/R ATEX	Inlet	67	79	85	89	90	85	79	76	94
MBZM 452 T2 11kW P/R ATEX	Inlet	69	81	88	92	93	88	82	79	97
MBZM 501 T2 15kW P/R ATEX	Inlet	71	83	90	94	95	90	83	80	99
MBZM 502 T2 22kW P/R ATEX	Inlet	73	85	91	95	96	91	85	82	100

Sound / 4 poles

Sound power Lw dB (A)										
Model		63 Hz	125 Hz	250 Hz	500 Hz	1000 Hz	2000 Hz	4000 Hz	8000 Hz	Total
MBZM 454 T4 1,5kW P/R ATEX	Inlet	56	68	74	78	79	74	68	65	83
MBZM 503 T4 2,2kW P/R ATEX	Inlet	55	67	73	77	78	73	67	64	82
MBZM 504 T4 3kW P/R ATEX	Inlet	58	70	77	81	82	77	71	68	86
MBZM 561 T4 4kW P/R ATEX	Inlet	60	72	78	82	83	78	72	69	87
MBZM 562 T4 5,5kW P/R ATEX	Inlet	61	73	80	84	85	80	74	71	89
MBZM 631 T4 7,5kW P/R ATEX	Inlet	62	74	81	85	86	86	75	72	90
MBZM 632 T4 11kW P/R ATEX	Inlet	64	76	83	87	88	83	76	73	92
MBZM 711 T4 11kW P/R ATEX	Inlet	66	78	85	89	90	85	79	76	94
MBZM 712 T4 15kW P/R ATEX	Inlet	66	78	85	89	90	85	79	76	94
MBZM 801 T4 18,5kW P/R ATEX	Inlet	69	81	87	91	92	88	81	78	96
MBZM 802 T4 30kW P/R ATEX	Inlet	70	82	89	93	94	89	83	80	98
MBZM 901 T4 37kW P/R ATEX	Inlet	73	85	91	95	96	91	85	82	100
MBZM 902 T4 45kW P/R ATEX	Inlet	73	85	91	95	96	92	85	82	101
MBZM 1001 T4 55kW P/R ATEX	Inlet	74	86	92	96	97	93	86	83	102
MBZM 1002 T4 75kW P/R ATEX	Inlet	76	88	94	98	99	94	88	85	103