

SUSTAINABLE PRODUCTIVITY BY SAFE CONTROL OF BACTERIA

FluidWorker® 100

UV technology reduces bacteria in industrial fluids, for a sustainable and increased productivity, giving the fluid a longer lifetime – without exposing employees to hazardous biocides.



INCREASES PRODUCTIVITY

FluidWorker ensures a stable production without stops, improves the quality of the fluid and prolongs its lifetime.

ENSURES SAFE WORK ENVIRONMENT

Enables process fluids without hazardous biocides and also makes it possible to choose more health and environmentally friendly fluids.

REDUCED IMPACT ON ENVIRONMENT

Fewer change-outs gives less waste and less consumption of water, chemicals and fossil resources. Makes it easier to fulfill local waste requirements.

REDUCES COSTS

When process fluids can be used for a longer time the costs are significantly reduced through lower consumption, fewer production stops and reduced waste. Lower levels of bacteria also reduces the filter media consumption.

SIMPLE INSTALLATION

Complete unit which can be easily installed during production in less than an hour.

SELF-CLEANING

The self-cleaning mechanism of FluidWorker ensures minimal maintenance and optimal performance.

FluidWorker® 100

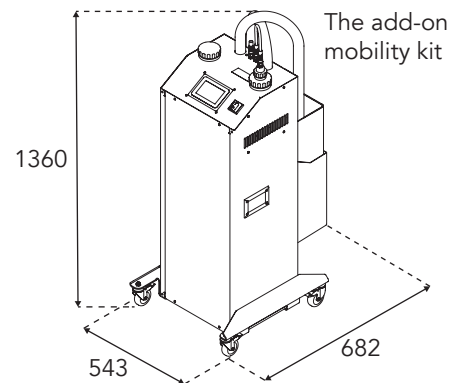
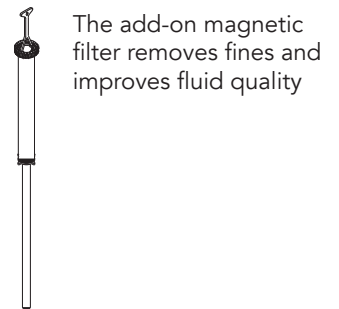
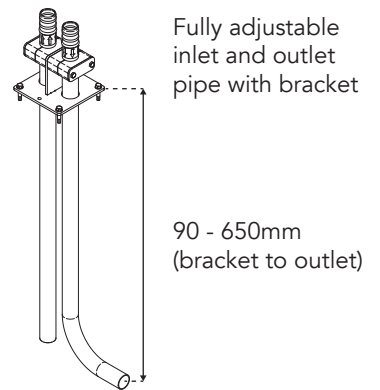
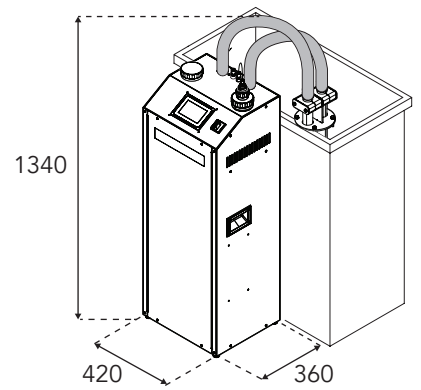
Safe Control of Bacteria

Ideal for 0.2-1.5m³ tanks with water-based process fluids used for metalworking, quenching and washing aswell as for recycling of process fluids.

Technical specification

Flow, adjustable	3.9-5.6 m ³ /hour
Number of UV lamps	1
Power / Lamp power	160-500 W / 20-207 W
Max ambient and fluid operating temperature	45°C
Suitable tank volume (system and fluid dependent)	0.2-1.5 m ³
Recommended fluids	Emulsions and micro emulsions
Self priming pump	Yes
Lockable on/off switch	Yes
Pressure sensor	Yes
Service timer	Yes
Automatic cleaning system	Yes
On/off via external signal	No
Inlet strainer / Magnetic filter	Included / Add-on
Self cleaning strainer	Add-on
Mobility kit	Add-on
Material reactor, inlet and outlet pipe	Stainless steel EN 1.4301
Hose material, inside	NBR (fuel grade)
Sealings	FPM (Viton®)
IP-class	21
Chassi material	Painted steel (RAL7035)
Pump material	Epoxy coated cast iron
Power supply	230V 1-phase, 50 Hz
HMI	5" colour touch screen
Weight, including packing material	Approx. 63 kg
Inlet / outlet hose length	1.5 m
Electrical cable length	3.7 m

Patent pending, patented technology and registered FluidWorker® trademark are property of Wallenius Water Innovation AB.



WALLENIOUS
WATER INNOVATION

Wallenius Water Innovation is a Swedish company that develops sustainable and profitable solutions addressing significant health, safety, and environmental challenges within a variety of applications and industry segments. The main product families are, FluidWorker® which offers non-toxic and automated control of industrial process fluids, and AquaWorker® used for chemical free disinfection in water systems.

