

## ACCESSORIES FOR CABINETS AND OPEN RACKS

info@fracksystems.se  
+46 854063722



ACCESSORIES FOR CABINETS AND OPEN RACKS

## ACCESSORIES FOR CABINETS AND OPEN RACKS

### BASE



Simple plinth 200 mm high with solid covers

### Simple plinth

- For **SZB IT** cabinets.
- Possibility of fixing into the room's floor.
- Possibility of adding rubber vibro-shock absorbers.
- It consists of the following elements ordered separately:
  - Plinth 100 mm high: 4 simple corners 100 mm high, 4 side panels (each may be solid, perforated or with brush opening), 4 vibro-shock absorbers (option).
  - Plinth 200 mm high: 4 simple corners 200 mm high, 8 side panels (each may be solid, perforated or with brush opening), 4 vibro-shock absorbers (option).



100 mm plinth with perforated cover at the front and cover with brush opening at the rear

### Plinth with levelling option

- For **SZB IT** cabinets.
- Levelling by means of feet.
- It consists of the following elements ordered separately:
  - Plinth 100 mm high: 4 corners 100 mm high with levelling option (with feet), 4 side panels (each may be solid, perforated or with brush opening).
  - Plinth 200 mm high: 4 corners 200 mm high with levelling option (with feet), 8 side panels (each may be solid, perforated or with brush opening).



Plinth with pull out stabiliser, 100 mm high

### Plinth with pull out stabiliser

- For **SZB IT** cabinets **1000 mm deep**.
- Equipped with a stabiliser that protects the cabinet from tipping during the ejection of servers or other heavy devices installed on moving guides.
- Used where the cabinet cannot be attached to the floor.
- It consists of the following elements ordered separately:
  - Plinth 100 mm high: 4 simple corners 100 mm high, 3 side panels (each may be solid, perforated or with brush opening), 1 assembly consisting of pull out stabiliser.
  - Plinth 200 mm high: 4 simple corners 200 mm high, 7 side panels (each may be solid, perforated or with brush opening), 1 assembly consisting of pull out stabiliser.



### Assembly consisting of pull out stabiliser

It consists of a stabiliser with two guides.  
The assembly height is 100 mm.  
It can also be used for 200 mm plinths.

#### Material

Stabiliser - sheet steel, powder painted in light grey (RAL 7035) or black (RAL 9005).  
Guides - sheet steel Al-Zn coated

#### Scope of delivery

Assembly consisting of pull out stabiliser with fixing accessories.

For plinth		Catalogue number	
width [mm]	height [mm]	RAL 7035	RAL 9005
800	1000	WZ-1718-A9-01-011	WZ-1718-A9-01-161
600	1000	WZ-1718-A9-02-011	WZ-1718-A9-02-161

Package: 1 set.

ACCESSORIES FOR CABINETS AND OPEN RACKS

BASE

**Plinth side panels**

There are three types of plinth side panels available - see the picture. Each type has the standard height of 99 mm. Side panels can be removed even when the cabinet is loaded with equipment.

**Material**

Sheet steel, powder painted in light grey (RAL 7035) or black (RAL 9005).

**Scope of delivery**

Panel with fixing elements.

Product name	Length of side panel [mm]	Length of plinth's side [mm]	Catalogue number	
			RAL 7035	RAL 9005
Solid side panel	800	1000	WZ-1982-03-08-011	WZ-1982-03-08-161
	600	800	WZ-1982-03-07-011	WZ-1982-03-07-161
	400	600	WZ-1982-03-05-011	WZ-1982-03-05-161
Perforated side panel	800	1000	WZ-1982-05-08-011	WZ-1982-05-08-161
	600	800	WZ-1982-05-07-011	WZ-1982-05-07-161
	400	600	WZ-1982-05-05-011	WZ-1982-05-05-161
Side panel with brush opening	800	1000	WZ-1982-04-08-011	WZ-1982-04-08-161
	600	800	WZ-1982-04-07-011	WZ-1982-04-07-161
	400	600	WZ-1982-04-05-011	WZ-1982-04-05-161

Package: 1 pc.



Solid side panel



Perforated side panel



Side panel with brush opening



**Plinth corners**

They are available in two types:

- Simple corners – they can be fixed to the room's floor and provided with rubber vibro shock absorbers.
- Corners with levelling option – with feet.

**Material**

Corners: sheet steel powder painted in light grey (RAL 7035) or black (RAL 9005).

Levelling feet: see page 48.

**Scope of delivery**

Set of 4 corners include fixing accessories. Corners with levelling option are delivered with adjustable feet.

Product name	Height [mm]	Pack-age	Catalogue number	
			RAL 7035	RAL 9005
Set of 4 simple corners	200	1 set	WZ-2174-05-02-011	WZ-2174-05-02-161
	100	1 set	WZ-1982-08-02-011	WZ-1982-08-02-161
Set of 4 corners with levelling option	200	1 set	WZ-2402-05-02-011	WZ-2402-05-02-161
	100	1 set	WZ-2401-05-02-011	WZ-2401-05-02-161



Simple corners



Corners with levelling option



ACCESSORIES FOR CABINETS AND OPEN RACKS

BASE



Vibro-shock absorber



Corner with vibro-shock absorber

**Vibro-shock absorbers**

The simple plinths can be optionally equipped with vibroshock absorbers.

Plinth with vibro-shock absorbers should be fixed into the room's floor. Four vibro-shock absorbers are needed for one plinth.

**Material**

10 mm thick rubber

**Scope of delivery**

Set of 4 vibro-shock absorbers without fixing accessories.

Package	Catalogue number
1 set = 4 pcs	M1Z-00-0048



Levelling feet for cabinets and racks

**Levelling feet**

Levelling feet for cabinets and racks.

Thread: M12x38

Ways of adjustment:

- with 19 mm open ended spanner,
- with 5 mm wrench spanner (imbus).

**Material**

Adjustable screw – zinc-coated steel

Base - plastic

**Scope of delivery**

Adjustable feet with lock nuts

- set of 4 pcs.

Package	Catalogue number
1 set = 4 pcs	WZ-5571-42-00-000



Locking castor 150



Non-locking castor 150

**Castors 150**

For cabinets: **SZB IT**, as well as for open racks: **SRD, SRX**.

One cabinet or open rack requires 2 locking and 2 non-locking castors.

Maximum load capacity of 4 castors: 400 kg\*

**Scope of delivery**

Set of 2 castors (locking or non-locking type) with screws and washers for fixing into the cabinet or rack.

Product name	Package	Catalogue number
Locking castor 150	1 set = 2 pcs	WZ-SB72-00-01-000-2
Non-locking castor 150	1 set = 2 pcs	WZ-SB72-00-02-000-2

\* Applicable to castors only. Loading capacity of the cabinet (or open rack) is specified in the description.



ACCESSORIES FOR CABINETS AND OPEN RACKS

BASE

**Castors 300**

For cabinets: **SZB IT, SIZE2 PC.**

One cabinet requires 2 locking, 2 non-locking castors and 2 strenghtening bars. One bar with locking castors is fixed at the cabinet’s front, and the other bar with non-locking castors at the rear.

Maximum load capacity of 4 castors: 600 kg\*

**Surface finishing**

Strenghtening bar for castors - powder painted light grey (RAL 7035).

**Scope of delivery**

These are available in sets:

- 2 castors (locking or non-locking type) with screws and washers for fixing into the strenghtening bar,
- 2 supporting bars for castors with screws and washers for fixing into the bottom plate of the cabinet.

Product name	Package	Catalogue number	
Locking castors 300 steering type	2 pcs	WZ-SB73-00-01-000-2	
Non-locking castors 300 fixed type	2 pcs	WZ-SB73-00-02-000-2	
Strenghtening bars	600 mm	2 pcs	WZ-SB74-00-01-011-2
	for cabinet’s width	800 mm	2 pcs

\* Applicable to castors only. Loading capacity of the cabinet is specified in the description.



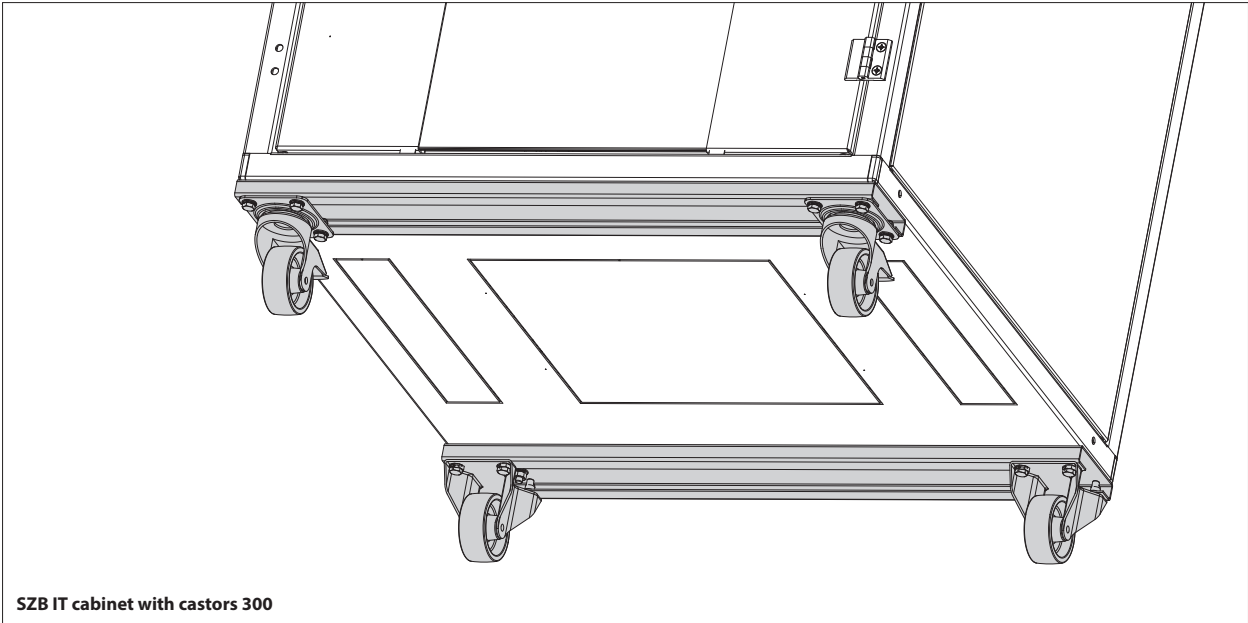
Locking castor 300 steering type



Non-locking castor 300 fixed type



Strenghtening bar for castors 300

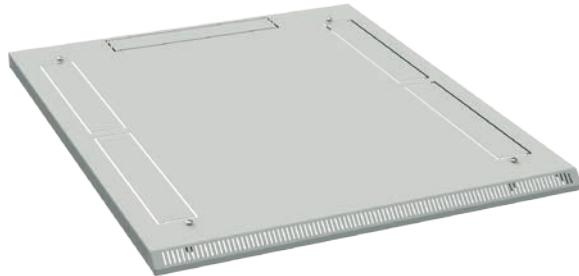


SZB IT cabinet with castors 300



ACCESSORIES FOR CABINETS AND OPEN RACKS

ROOF



Roof for SZB IT cabinet 800 x 1000 mm



Roof for SZB IT cabinet 600 x 600 mm

**Roof for SZB IT cabinet**

It improves the aesthetics of the cabinet and protects the ventilation openings in the top plate of the cabinet. Increases the total height of the cabinet by 40 mm.

**Material**

Sheet steel, powder painted in light grey (RAL 7035) or black (RAL 9005).

**Scope of delivery**

Roof with fixing accessories.

For SZB IT cabinet		Catalogue number	
width [mm]	depth [mm]	RAL 7035	RAL 9005
800	1200	WZ-8059-50-8012-011	WZ-8059-50-8012-161
	1000	WZ-8059-50-8010-011	WZ-8059-50-8010-161
	800	WZ-8059-50-8080-011	WZ-8059-50-8080-161
	600	WZ-8059-50-8060-011	WZ-8059-50-8060-161
600	1200	WZ-8059-50-6012-011	WZ-8059-50-6012-161
	1000	WZ-8059-50-6010-011	WZ-8059-50-6010-161
	800	WZ-8059-50-6080-011	WZ-8059-50-6080-161
	600	WZ-8059-50-6060-011	WZ-8059-50-6060-161

Package: 1 pc.



Roof with 4 fixing/spacer bolts for SZE2 PC cabinet



**Roof for SZE2 PC cabinet**

It improves the aesthetics of the cabinet and, in the case of a cabinet equipped with a roof fan unit, protects the ventilation openings in the top plate of the cabinet. Increases the total height of the cabinet by 41,5 mm.

**Material**

Sheet steel, powder painted in light grey (RAL 7035).

**Scope of delivery**

Roof with 4 fixing/spacer bolts for mounting. (Assembly screws M12 are delivered with the cabinet.)

For SZB IT cabinet		Catalogue number
width [mm]	depth [mm]	
600	800	WZ-1951-27-11-011
	600	WZ-1951-27-12-011

Package: 1 pc.

ACCESSORIES FOR CABINETS AND OPEN RACKS

SHELVES, DRAWERS, POCKETS

**Shelves fixed on two 19" mounting profiles - 19" assembly**

Available in fixed and pull-out version.

**Material**

Sheet steel powder painted in light grey (RAL 7035) or black (RAL 9005)

**Scope of delivery**

Fixed or pull out shelf with fixing accessories.

Product name	Usable dimensions			Load capacity* [kg]	Catalogue number	
	Height [U = 44.45 mm]	Width [mm]	Depth [mm]		RAL 7035	RAL 9005
Fixed shelf II/2U	2U	446	650	25	WZ-SB00-49-01-011	WZ-SB00-49-01-161
			450	25	WZ-SB00-49-03-011	WZ-SB00-49-03-161
			350	25	WZ-SB00-49-04-011	WZ-SB00-49-04-161
			250	25	WZ-SB00-49-05-011	WZ-SB00-49-05-161
Pull out shelf II/2U	2U	416	555	20	WZ-5841-14-01-011	WZ-5841-14-01-161
			455	20	WZ-5841-14-02-011	WZ-5841-14-02-161
			355	20	WZ-5841-14-04-011	WZ-5841-14-04-161
Fixed shelf II/1U	1U	446	350	6	WZ-5714-52-00-011	WZ-5714-52-00-161
			250	10	WZ-5714-53-00-011	WZ-5714-53-00-161

Package: 1 pc.

\*) static load, superficial weight



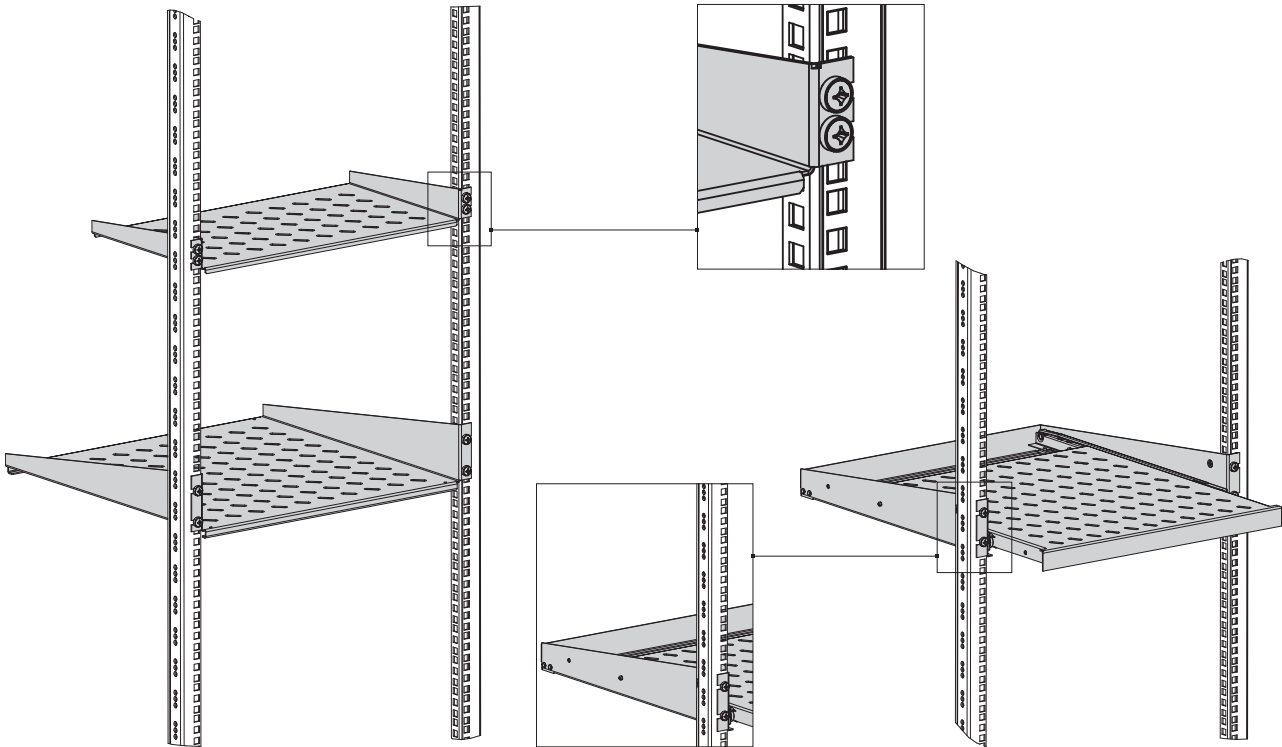
Fixed shelf II/2U



Pull out shelf II/2U



Fixed shelf II/1U



ACCESSORIES FOR CABINETS AND OPEN RACKS

SHELVES, DRAWERS, POCKETS



Fixed shelf I



Pull out shelf I



**Shelves fixed on four 19" mounting profiles**  
**- fixing to the side openings**

Available in fixed and pull-out version.

**Material**

Sheet steel powder painted in light grey (RAL 7035) or black (RAL 9005).

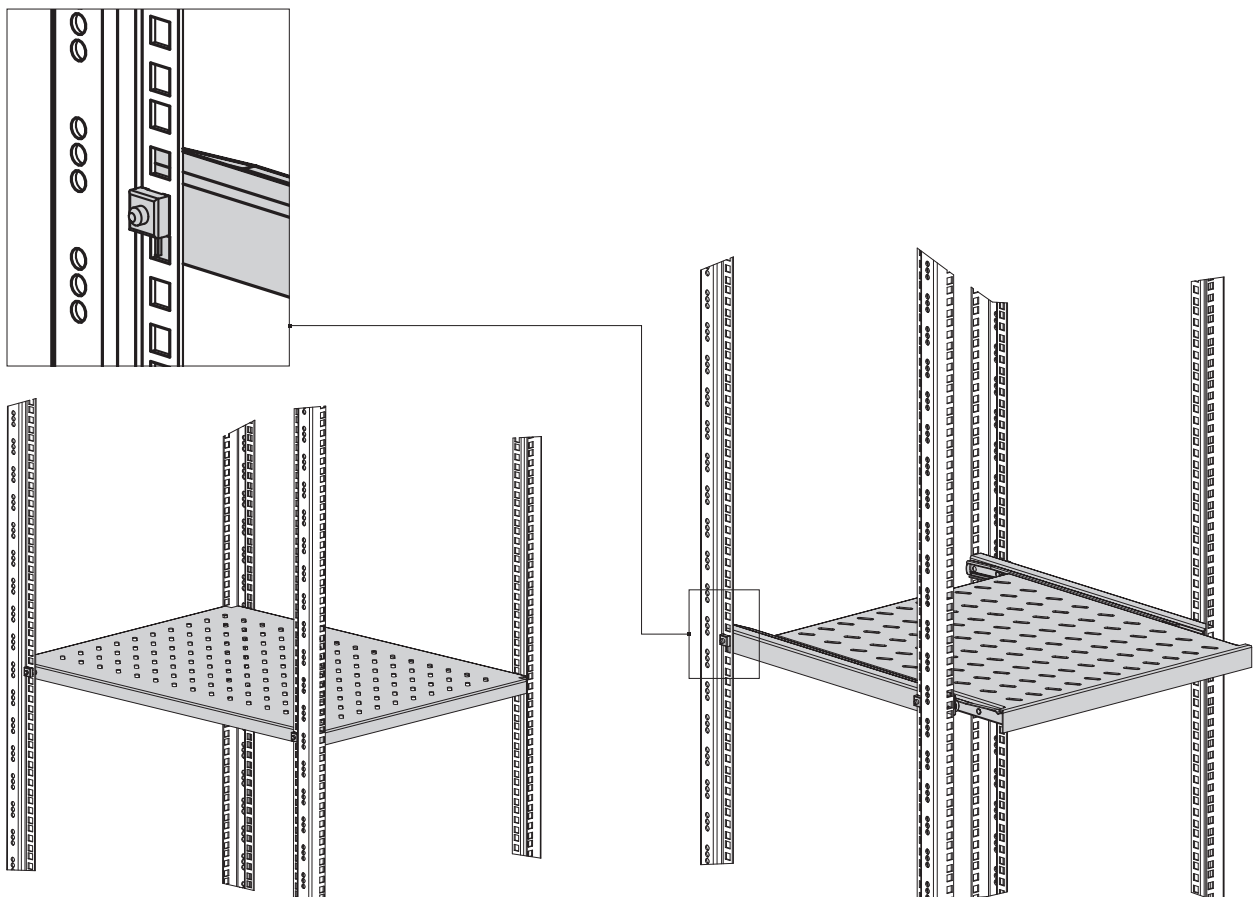
**Scope of delivery**

Fixed or pull out shelf with fixing accessories.

Product name	Usable dimensions			Load capacity* [kg]	Catalogue number	
	Height [mm]	Width [mm]	Depth [mm]		RAL 7035	RAL 9005
Fixed shelf I	22	483	650	100	WZ-5841-02-01-011	WZ-5841-02-01-161
			550	100	WZ-5841-02-02-011	WZ-5841-02-02-161
			450	100	WZ-5841-02-03-011	WZ-5841-02-03-161
			350	100	WZ-5841-02-04-011	WZ-5841-02-04-161
Pull out shelf I	30	416	555	25	WZ-5841-04-01-011	WZ-5841-04-01-161
			455	25	WZ-5841-04-02-011	WZ-5841-04-02-161
			355	25	WZ-5841-04-04-011	WZ-5841-04-04-161

Package: 1 pc.

\*) static load, superficial weight





ACCESSORIES FOR CABINETS AND OPEN RACKS

SHELVES, DRAWERS, POCKETS

**Shelves fixed on four 19" mounting profiles - adjustable depth, 19" assembly**

Fixed on two pairs of 19" mounting profiles or mounting angles.

**Material**

Sheet steel powder painted in light grey (RAL 7035) or black (RAL 9005)

**Scope of delivery**

Shelf with fixing accessories.



Shelf with adjustable depth  
1 U, 500-900 mm



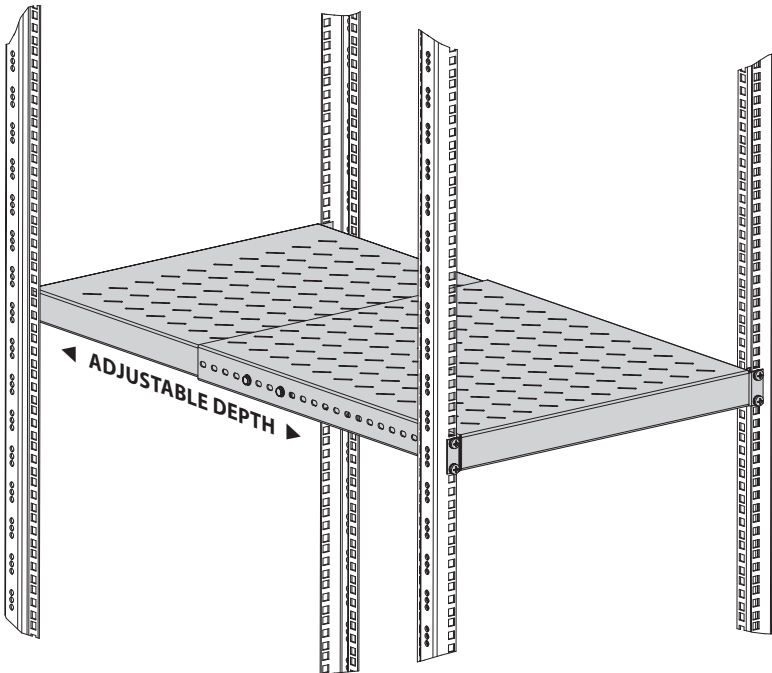
Shelf with adjustable depth  
1 U, 350-600 mm



Product name	Usable dimensions			Load capacity* [kg]	Catalogue number	
	Height [U = 44.45 mm]	Width [mm]	Depth [mm]		RAL 7035	RAL 9005
Shelf with adjustable depth	1 U (44 mm)	440	500-900	150	WZ-3074-83-00-011	WZ-3074-83-00-161
	1 U (44 mm)	440	350-600	150	WZ-3074-83-04-011	WZ-3074-83-04-161

Package: 1 pc.

\*) static load, superficial weight



ACCESSORIES FOR CABINETS AND OPEN RACKS

SHELVES, DRAWERS, POCKETS



High-load fixed shelf

**Shelves fixed on six 19" mounting profiles - fixing to the side openings**

For cabinets 1000 and 1200 mm wide (SZB IT). Available in fixed and telescopic versions.

**Material**

Sheet steel powder painted in light grey (RAL 7035) or black (RAL 9005)

**Scope of delivery**

Fixed or telescopic shelf with fixing accessories.

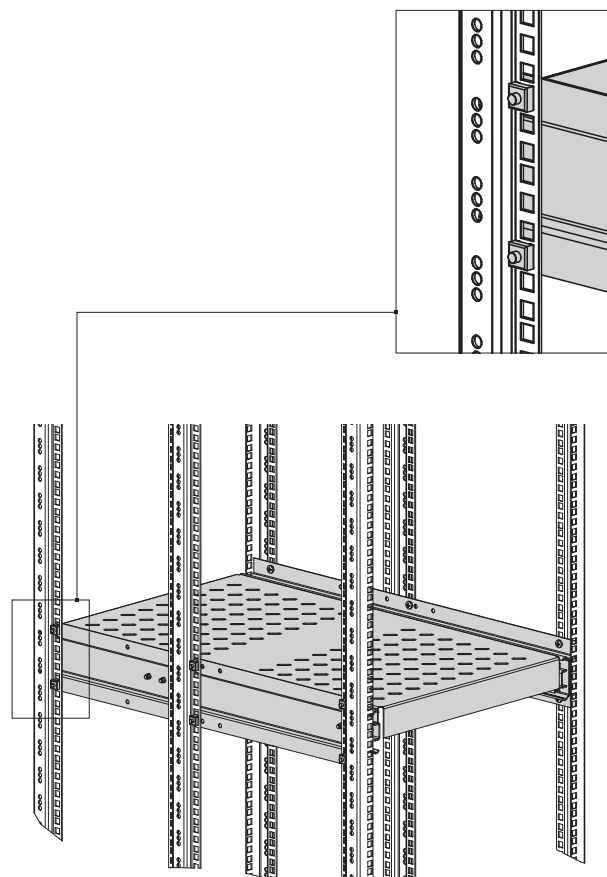
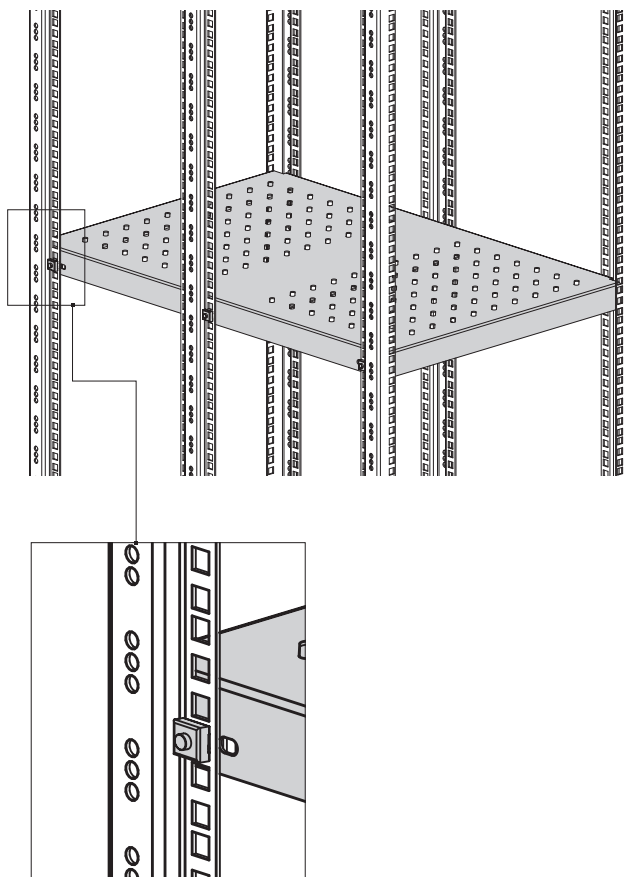


High-load telescopic shelf

Product name	Usable dimensions			Load capacity* [kg]	Catalogue number	
	Height [mm]	Width [mm]	Depth [mm]		RAL 7035	RAL 9005
High-load fixed shelf	38	483	700	200	WZ-5841-06-00-011	WZ-5841-06-00-161
High-load telescopic shelf	50 (shelf) 110 (fixing rails)	392	700	140	WZ-5841-08-00-011	WZ-5841-08-00-161

Package: 1 pc.

\*) static load, superficial weight



## ACCESSORIES FOR CABINETS AND OPEN RACKS

SHELVES, DRAWERS, POCKETS

**Drawer for keyboard**

Drawer 19" x 1 U x 400 mm without keyboard.  
Internal dimensions: 378 x 262 x 36 mm.  
Drawer fitted with lock with cylindric insert.

**Material of drawer**

Sheet steel powder painted in light grey (RAL 7035) or black (RAL 9005).

**Scope of delivery**

Drawer with fixing accessories for assembling into the cabinet.



Package	Colour	Catalogue number
1 pc.	RAL 7035	WZ-SB78-00-04-011
	RAL 9005	WZ-SB78-00-04-161

**Document drawer**

Fitted with lock with patent insert.  
19" assembly, height 2 U, depth 465 mm.  
Internal dimensions: 460 x 413 x 55 mm.

**Material**

Sheet steel powder painted in light grey (RAL 7035) or black (RAL 9005).

**Scope of delivery**

Drawer with fixing accessories for assembling into the mounting profiles.



Package	Colour	Catalogue number
1 pc.	RAL 7035	WZ-SB67-00-00-011
	RAL 9005	WZ-SB67-00-00-161

**Document pocket**

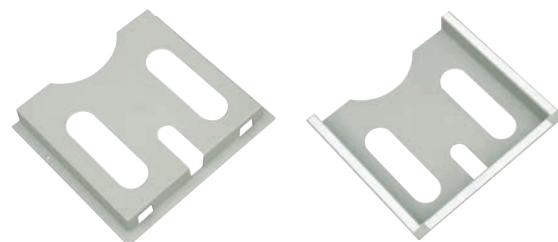
For fixing on the cabinet's door.  
A4 size, light grey (RAL 7035) colour.

**Material**

Plastic

**Scope of delivery**

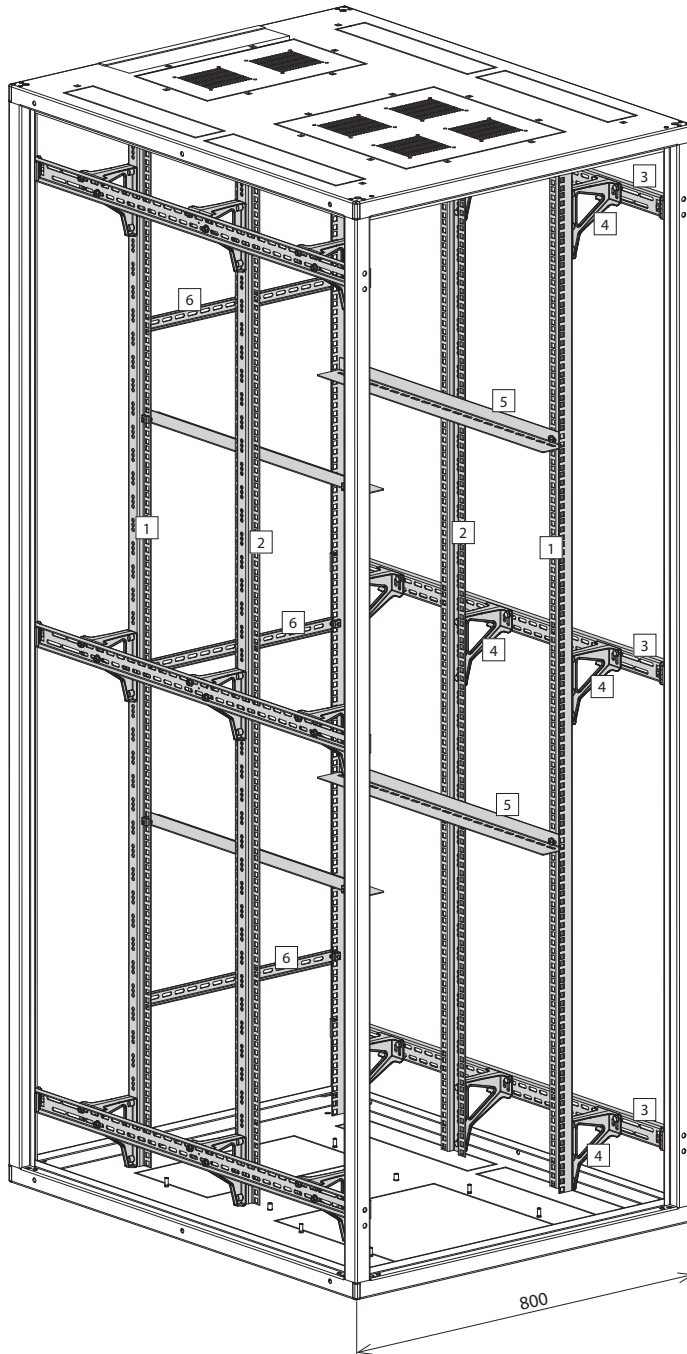
Pocket with self-adhesive fixing tape.



Package	Colour	Catalogue number
1 pc.	RAL 7035	WZ-SB00-40-00-011

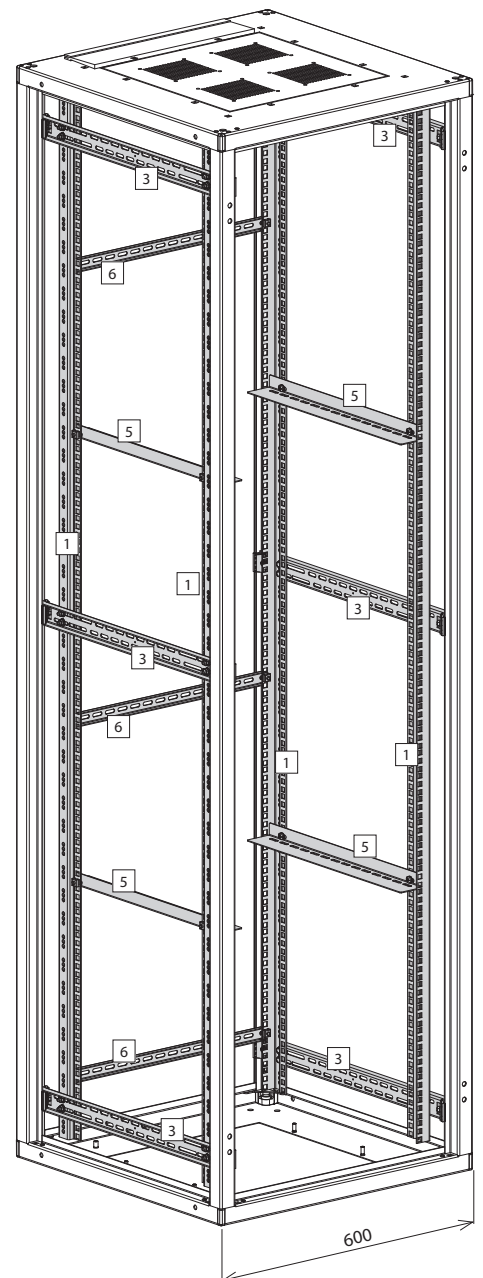
ACCESSORIES FOR CABINETS AND OPEN RACKS

19" FRAME AND FIXING ACCESSORIES



Elements of 19" rack frame

- 1. 19" mounting profile (rack rail)
- 2. 19" middle mounting profile
- 3. C-profile
- 4. Outrigger
- 5. Guide bar
- 6. Cross bar





ACCESSORIES FOR CABINETS AND OPEN RACKS

19" FRAME AND FIXING ACCESSORIES

**Mounting profiles**

For installing 19" equipment in cabinets: **SZB IT, SZE2 PC.**  
 In cabinets 600 mm wide, mounting profiles are fixed directly to the C-profiles; in cabinets 800 mm wide, in order to achieve 19" spacing, it is necessary to use outriggers.

Note: Mounting profiles and mounting angles for wall-mounted cabinets are described on page 42.

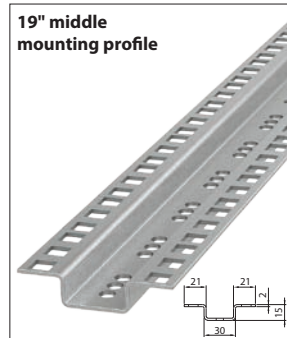
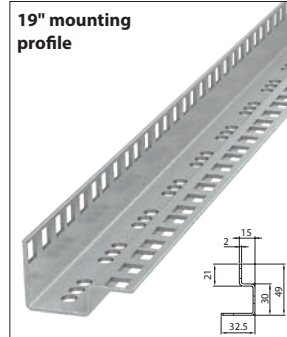
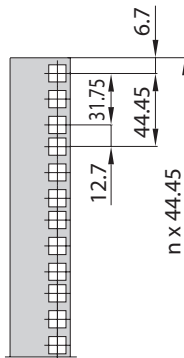
**Material**

Al-Zn coated sheet steel

**Scope of delivery**

Mounting bar or mounting angle without fixing accessories. (Fixing accessories should be ordered separately.)

19" mounting profile



Height [U = 44.45 mm]	Catalogue number	
	19" mounting profile	19" middle mounting profile
47 U	WZ-1718-97-20-000	WZ-1718-98-13-000
45 U	WZ-1718-97-01-000	WZ-1718-98-01-000
42 U	WZ-1718-97-02-000	WZ-1718-98-02-000
40 U	WZ-1718-97-03-000	WZ-1718-98-03-000
39 U	WZ-1718-97-13-000	WZ-1718-98-14-000
38 U	WZ-1718-97-04-000	WZ-1718-98-04-000
36 U	WZ-1718-97-05-000	WZ-1718-98-05-000
33 U	WZ-1718-97-14-000	WZ-1718-98-15-000
32 U	WZ-1718-97-06-000	WZ-1718-98-06-000
30 U	WZ-1718-97-15-000	-
28 U	WZ-1718-97-07-000	WZ-1718-98-07-000
27 U	WZ-1718-97-16-000	-
24 U	WZ-1718-97-08-000	WZ-1718-98-08-000

Package: 1 pc.

**C-profiles**

For fixing mounting profiles, mounting angles, cable ducts and cable trays in **SZB IT** cabinets.

**Material**

Al-Zn coated sheet steel.

**Scope of delivery**

Set of 2 C-profiles with fixing accessories for assembling into the cabinet.



For cabinet depth [mm]	Catalogue number
1200	WZ-5507-16-08-000
1000	WZ-5507-16-03-000
800	WZ-5507-16-02-000
600	WZ-5507-16-01-000

Package: 2 pcs.

## ACCESSORIES FOR CABINETS AND OPEN RACKS

### 19" FRAME AND FIXING ACCESSORIES



#### Outrigger

For fixing mounting profiles in **800 mm** wide **SZB IT** and **SZE2 PC** cabinets, in order to achieve 19" spacing. Depending on the cabinet design, two or three outriggers are required for assembling one mounting profile.

#### Material

zamak casting

#### Scope of delivery

One outrigger with fixing accessories to install the outrigger to mounting profile/angle and to C-profile.

Package	Catalogue number
1 pc.	WZ-5205-90-00-C12



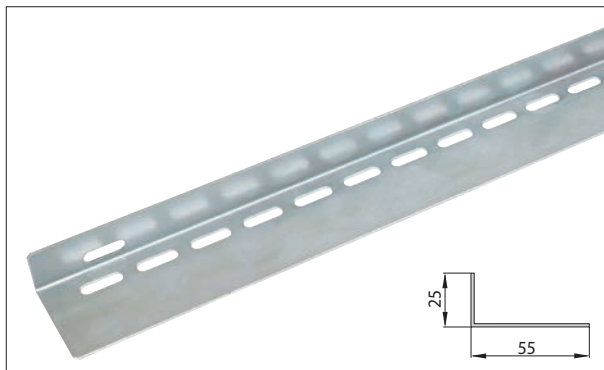
Elements for fixing mounting profiles to C-profiles in cabinet 600 mm wide (without outrigger)



Elements for fixing appliances to the mounting profiles or mounting angles

#### Fixing accessories

Description of set	Package	Catalogue number
Elements for fixing mounting profiles to C-profiles in cabinet 600 mm wide (without outrigger): Screw M6x16 - 4 pcs Nut M6 - 4 pcs Washer - 8 pcs Toothed washer - 4 pcs	1 set	WZ-SB00-37-04-000
Elements for fixing appliances to the mounting profiles: Screw M6x16 - 10 pcs. Cage nut M6 - 10 pcs. Plastic washer - 10 pcs.	1 set	T1Z-00-0002



#### Guide bar

Fixed horizontally to the front and rear mounting profile, parallel to the cabinet's side. For supporting appliances in the cabinet. With holes for M6 bolts.

#### Material

Zinc-coated sheet steel

#### Scope of delivery

Guide bar with fixing accessories.

Length [mm]	Catalogue number
650	WZ-SB00-27-01-000
550	WZ-SB00-27-02-000
450	WZ-SB00-27-03-000
350	WZ-SB00-27-04-000
250	WZ-SB00-27-05-000

Package: 1 pc.

ACCESSORIES FOR CABINETS AND OPEN RACKS

FIXING ACCESSORIES • EARTHING ELEMENTS

**Cross bar**

Fixed to the rear mounting profiles in 19" cabinets.  
For installing cables or supporting appliances in the cabinet.  
With holes for M6 bolts.

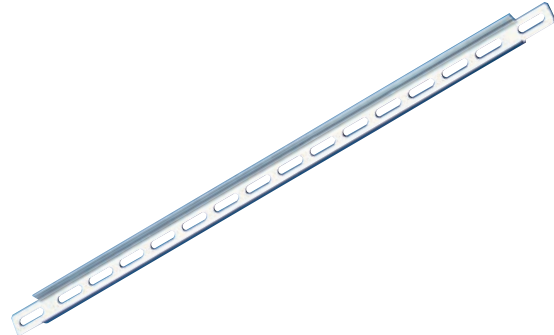
**Material**

Zinc-coated sheet steel

**Scope of delivery**

Cross bar with fixing accessories.

Length [mm]	Package	Catalogue number
500	1 szt.	WZ-SB00-28-01-000



**Copper earthing bar**

For **SZB IT** cabinets.  
The earthing bar is bolted to threaded bushings placed in the bottom of the cabinet frame.

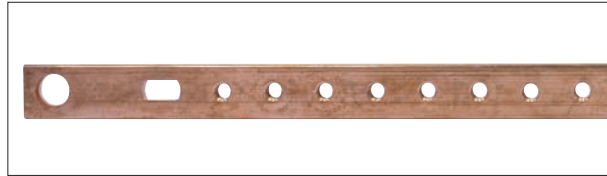
**Material**

Copper

**Scope of delivery**

Earthing bar with screws for assembling in the cabinet.

Product name	Package	Catalogue number
Earthing bar Cu 15x5x375 mm	1 pc.	WZ-3393-11-00-000



**Earthing cable set**

Insulated copper cables for joining removable elements of the cabinet with earthing bar.  
Equipped with contact eyes Ø 6 mm.

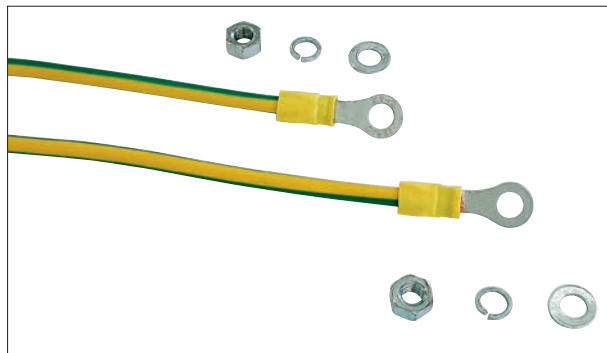
**Material**

Copper cables 6 mm<sup>2</sup>

**Scope of delivery**

Earthing cables are sold in sets in accordance with the chart below.

Description of set	Package	Catalogue number
Cable 300 mm long - 4 pcs. Cable 400 mm long - 2 pcs. Cable 600 mm long - 1 pc. Fixing accessories	1 set	WZ-SB12-00-01-000
Cable 300 mm long - 2 pcs. Cable 400 mm long - 2 pcs. Cable 600 mm long - 1 pc. Fixing accessories	1 set	WZ-SB12-00-02-000



ACCESSORIES FOR CABINETS AND OPEN RACKS

BAYING CABINETS IN ROWS



M8 screw with nut and contact washers



Clamp connector

Elements for baying cabinets

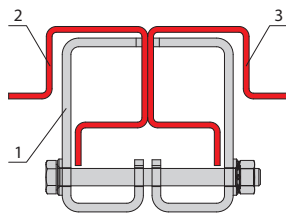
Sets of elements for baying **SZB IT** cabinets with one another or baying SZB IT cabinets with side heat exchangers or row heat exchangers. One set is intended for baying two cabinets.

The basic set consists of screws, nuts and washers for connecting the cabinets by means of openings in the sides of the bottom and top plates.

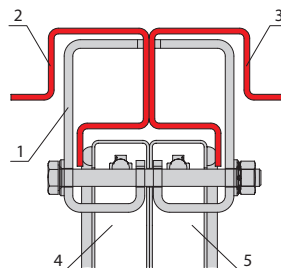
For high-load cabinets, it is advisable to use additional clamp connectors for connecting frame's profiles.

USE OF CLAMP CONNECTOR

Baying cabinets without side panels

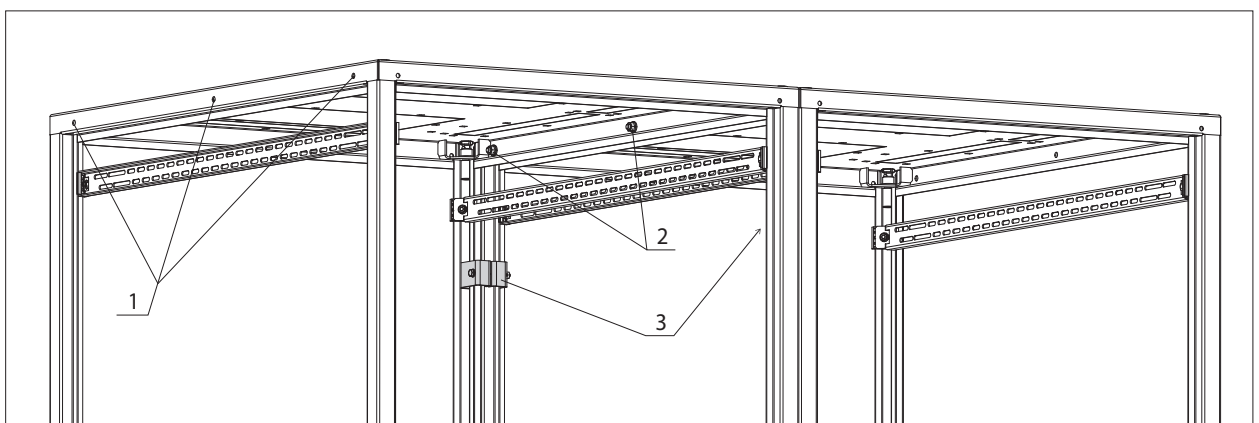


Baying cabinets with side panels



1. clamp connector, 2. left cabinet frame's profile, 3. right cabinet frame's profile, 4. left cabinet side panel, 5. right cabinet side panel

Description of set	Package	Catalogue number
Basic set: Screw M8 - 4 pcs Hexagonal nut M8 - 4 pcs Contact washer - 8 pcs	1 set	WZ-2565-13-03-000
Additional set: Clamp connector - 4 pcs	1 set	WZ-2565-13-02-000



Baying SZB IT cabinets in rows: 1 - holes for baying cabinets  
2 - elements of the basic set (screws, nuts, washers)  
3 - elements of the additional set (clamp connectors)



ACCESSORIES FOR CABINETS AND OPEN RACKS

LIGHTING • MASKING ITEMS

**Lighting kit**

For floor-standing and wall-mounted cabinets.  
19" assembly, usable height 1 U.

**Material of mounting bracket**

Sheet steel, powder painted in light grey (RAL 7035) or black (RAL 9005).

**Scope of delivery**

Electric light fitting with a LED lamp 230 V, 5 W and a switch, a bracket for fixing the electric light fitting on the 19" mounting profiles, power supply cable, fixing accessories.  
Power supply cable with a door switch is ordered separately.



Lighting kit with fixing bracket in light grey (RAL 7035) colour



Power supply cable with a door switch

Product name	Package	Colour	Catalogue number
Lighting kit	1 set	RAL 7035	WN-0208-05-01-011-01
		RAL 9005	WN-0208-05-01-161-01
Power supply cable with a door switch	1 set	-	WN-0208-04-05-000

**19" blanking plates**

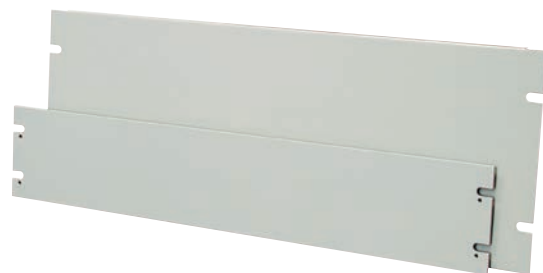
For covering empty 19" space.

**Material**

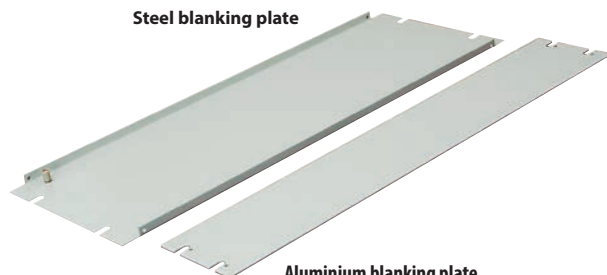
Sheet steel or sheet aluminium powder painted in light grey (RAL 7035) or black (RAL 9005).

**Scope of delivery**

Blanking plate with fixing accessories.



Steel blanking plate



Aluminium blanking plate

Height [U = 44.45 mm]	Catalogue number		
	Steel blanking plate RAL 7035	Steel blanking plate RAL 9005	Aluminium blanking plate RAL 7035
1 U	WZ-SB00-33-01-011	WZ-SB00-33-01-161	WZ-SB00-32-01-011
2 U	WZ-SB00-33-02-011	WZ-SB00-33-02-161	WZ-SB00-32-02-011
3 U	WZ-SB00-33-03-011	WZ-SB00-33-03-161	WZ-SB00-32-03-011
4 U	WZ-SB00-33-04-011	WZ-SB00-33-04-161	WZ-SB00-32-04-011
5 U	WZ-SB00-33-05-011	WZ-SB00-33-05-161	WZ-SB00-32-05-011
6 U	WZ-SB00-33-06-011	WZ-SB00-33-06-161	WZ-SB00-32-06-011

Package: 1 pc.

## ACCESSORIES FOR CABINETS AND OPEN RACKS

### MASKING ITEMS



### Openings in the bottom plate, top plate and roof of the cabinets

#### SZB IT CABINETS



ACCESSORIES FOR CABINETS AND OPEN RACKS

MASKING ITEMS

**Blanking and cable entry plates and strips for bottom plate, top plate and roof**

Appliances in accordance with drawings on page 62.

**Material**

Sheet steel powder painted in light grey (RAL 7035) or black (RAL 9005).

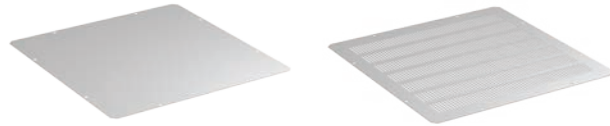
**Scope of delivery**

Blanking/cable entry plate or strip with fixing accessories.



Product name	For opening	Catalogue number	
		RAL 7035	RAL 9005
Solid blanking plate	A	WZ-1718-38-01-011	WZ-1718-38-01-161
	B	WZ-1718-38-02-011	WZ-1718-38-02-161
Perforated blanking plate	A	WZ-1718-39-01-011	WZ-1718-39-01-161
	B	WZ-1718-39-02-011	WZ-1718-39-02-161
Blanking plate with a fabric filter	A	WZ-1718-42-01-011	WZ-1718-42-01-161
	B	WZ-1718-42-02-011	WZ-1718-42-02-161
Cable entry plate with a brush strip	A	WZ-5271-10-00-011	WZ-5271-10-00-161
	B	WZ-5271-14-00-011	WZ-5271-14-00-161
Brush strip	C	WZ-8059-54-00-000	WZ-8059-54-00-000
Cable entry plate with a foam strip	A	WZ-1718-40-01-011	WZ-1718-40-01-161
	B	WZ-1718-40-02-011	WZ-1718-40-02-161
Cable entry plate with a fabric filter and a brush strip	A	WZ-SB76-00-00-011	WZ-SB76-00-00-161

Package: 1 pc.



Perforated blanking plates



Solid blanking plates



Blanking plates with a fabric filter



Cable entry plates with a brush strip



Brush strip (for C opening)



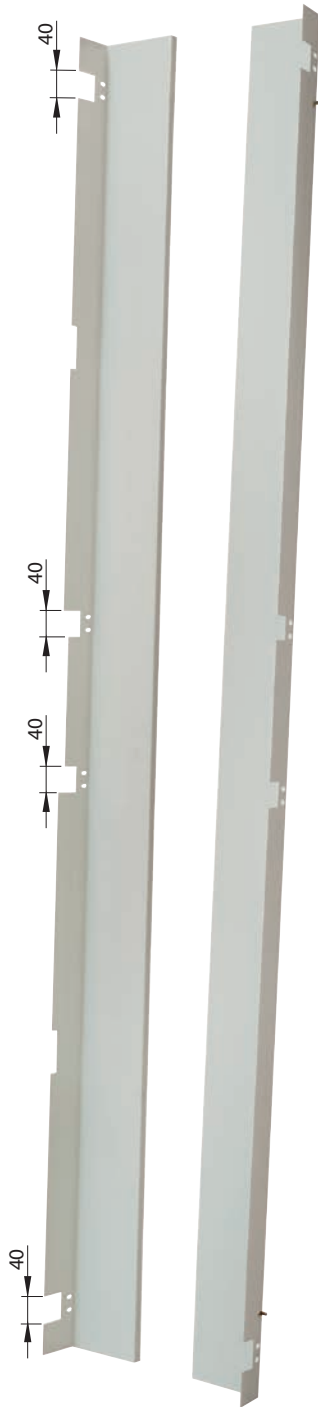
Cable entry plate with a fabric filter and a brush strip



Cable entry plates with a foam strip

ACCESSORIES FOR CABINETS AND OPEN RACKS

MASKING ITEMS



Vertical masking panels for 800 mm wide cabinets

**Vertical masking panels**

For covering space between front 19" mounting profiles and cabinet's sides. Designed for 800 mm wide **SZB IT** cabinets.

**Material**

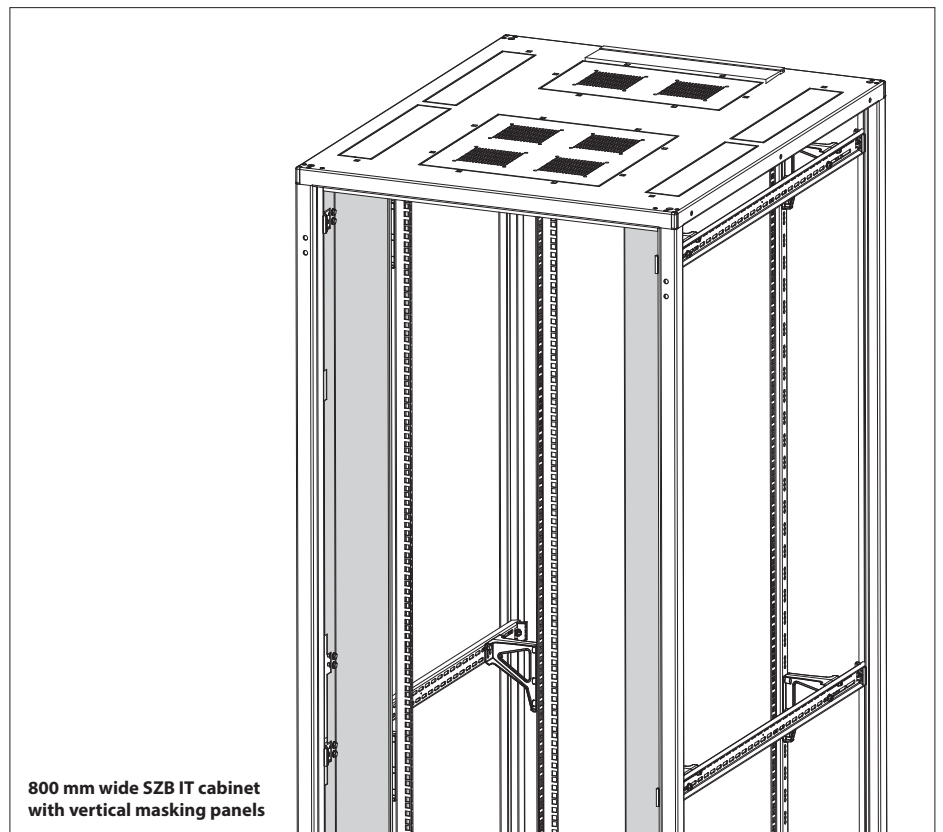
Sheet steel powder painted in light grey (RAL 7035) or black (RAL 9005).

**Scope of delivery**

Two vertical masking panels with fixing accessories.

Height [U = 44.45 mm]	Catalogue number	
	RAL 7035	RAL 9005
47 U	WZ-1718-59-01-011	WZ-1718-59-01-161
45 U	WZ-1718-59-02-011	WZ-1718-59-02-161
42 U	WZ-1718-59-03-011	WZ-1718-59-03-161
39 U	WZ-1718-59-09-011	WZ-1718-59-09-161
36 U	WZ-1718-59-05-011	WZ-1718-59-05-161
33 U	WZ-1718-59-08-011	WZ-1718-59-08-161
30 U	WZ-1718-59-11-011	WZ-1718-59-11-161
27 U	WZ-1718-59-13-011	WZ-1718-59-13-161
24 U	WZ-1718-59-07-011	WZ-1718-59-07-161

**Package:** 1 set = 2 pcs



800 mm wide SZB IT cabinet with vertical masking panels



ACCESSORIES FOR CABINETS AND OPEN RACKS

MASKING ITEMS

**Horizontal brush strips**

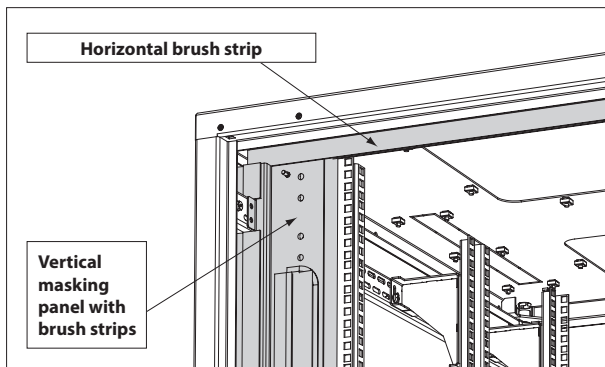
The horizontal brushes are fitted under and over the working surface of the mounting profiles in **SZB IT** server cabinets. They are intended for limiting cold air circulation outside the working zone of the mounting profiles and preventing recirculation of hot air into the cold air inlet.

**Material**

Plastic

**Scope of delivery**

Brush strip – 1 pc.



For cabinet width [mm]	Package	Catalogue number
600	1 pc.	WZ-5367-45-01-000
800	1 pc.	WZ-5367-45-02-000

**Vertical masking panels with brush strips**

The vertical masking panels are intended for sealing the space between the mounting profiles and the side panel in **SZB IT** server cabinets. They prevent hot air from being fed back into the cold air inlet.

**VERSIONS AVAILABLE**

**For cabinets wide 800 mm:**

1. Vertical masking panels with cable entries and openings for fixing cable clamps
2. Vertical solid masking panels with openings for fixing cable clamps

**For cabinets wide 600 mm:**

3. Vertical solid masking panels

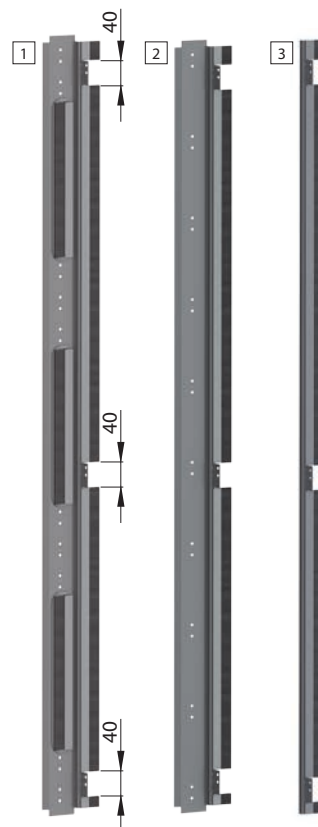
The cable entries in masking panels for 800 mm cabinets are covered with a brush and their edges are protected with an edge seal. All three masking panels types are provided with a brush that, once assembled to the cabinet, fits tight to the side wall.

**Material**

Sheet steel powder painted, plastic.

**Scope of delivery**

A set of 2 vertical masking panels of a given type with fixing accessories.

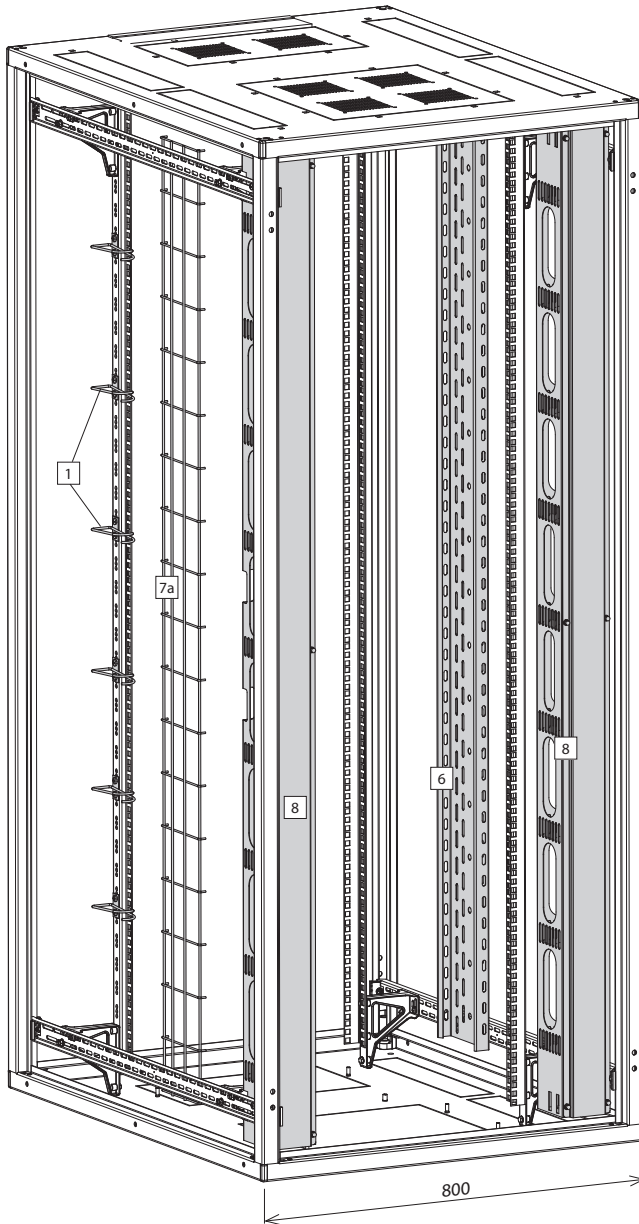


Height [U = 44.45 mm]	Catalogue number					
	For cabinets wide 800 mm				For cabinets wide 600 mm	
	1. Vertical masking panels with cable entries and openings for fixing cable clamps		2. Vertical solid masking panels with openings for fixing cable clamps		3. Vertical solid masking panels	
	RAL 7035	RAL 9005	RAL 7035	RAL 9005	RAL 7035	RAL 9005
47 U	WZ-5367-30-01-011	WZ-5367-30-01-161	WZ-5367-31-01-011	WZ-5367-31-01-161	WZ-5367-32-01-011	WZ-5367-32-01-161
45 U	WZ-5367-30-02-011	WZ-5367-30-02-161	WZ-5367-31-02-011	WZ-5367-31-02-161	WZ-5367-32-02-011	WZ-5367-32-02-161
42 U	WZ-5367-30-03-011	WZ-5367-30-03-161	WZ-5367-31-03-011	WZ-5367-31-03-161	WZ-5367-32-03-011	WZ-5367-32-03-161

Package: 1 set = 2 pc.

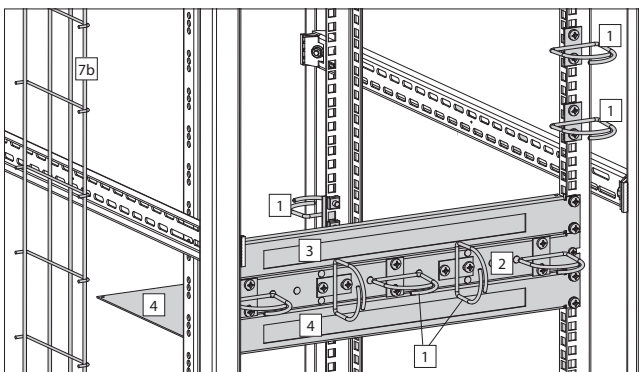
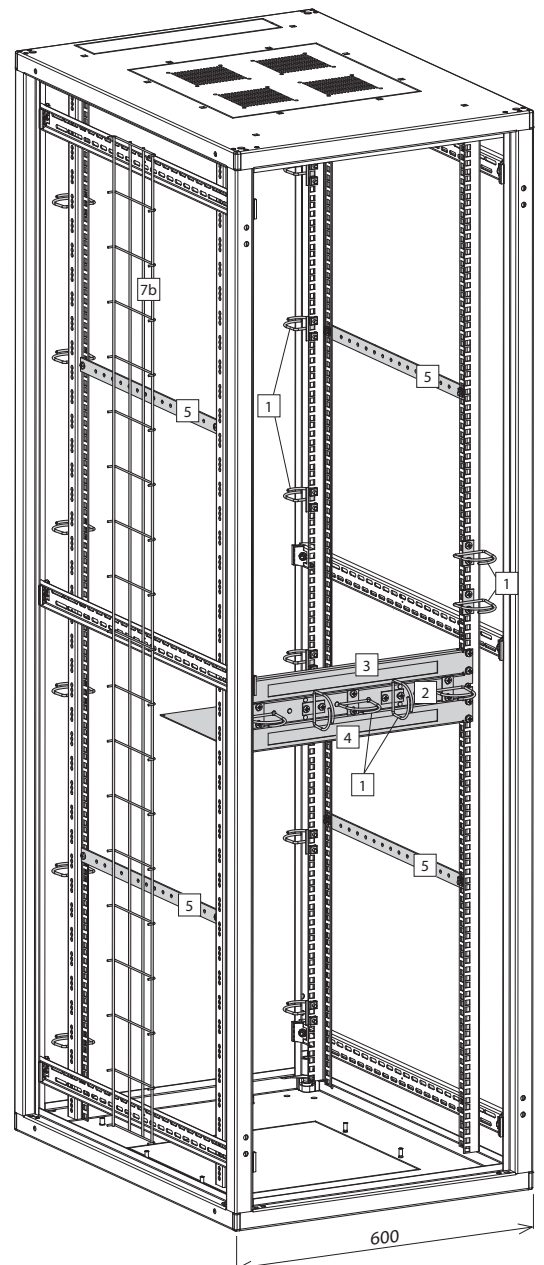
ACCESSORIES FOR CABINETS AND OPEN RACKS

CABLE MANAGEMENT



**Cable management elements**

1. Cable clamps
2. Cable management bar
3. Brush panel without support plate
4. Brush panel with support plate
5. Cable holder
6. Perforated cable tray, 30 mm deep
7. Wire cable tray, 15 mm deep
  - 7a - installation on the inside
  - 7b - installation on the outside
8. Vertical cable management



ACCESSORIES FOR CABINETS AND OPEN RACKS

CABLE MANAGEMENT




**Cable clamps**

**Intended for fixing**  
 - on cable management bars,  
 - on mounting profiles.

**Material**  
 Zn coated steel

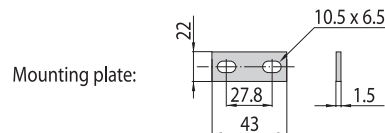
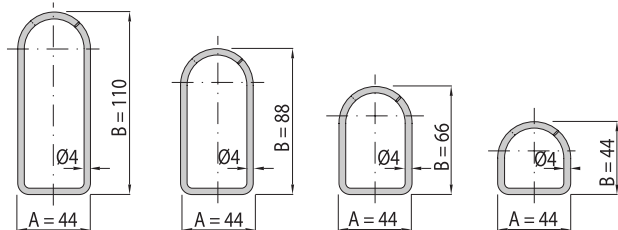
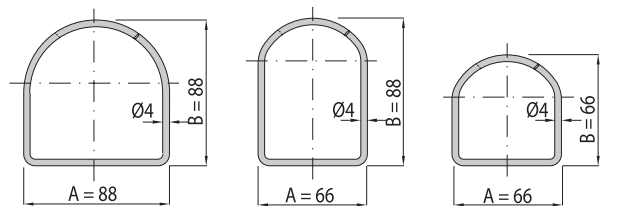
**Scope of delivery**  
 The cable clamps are sold in sets: 5 pcs of clamps and fixing accessories.

**Note:**  
 It is possible to order on demand cable clamps painted in black (RAL 9005).

Type of cable clamp	Package	Dimensions A x B [mm]	Catalogue number
	5 pcs	88 x 88	WZ-SB52-00-01-000
		66 x 88	WZ-SB52-00-02-000
		66 x 66	WZ-SB52-00-03-000
		44 x 110	WZ-SB52-00-04-000
		44 x 88	WZ-SB52-00-05-000
		44 x 66	WZ-SB52-00-06-000
		44 x 44	WZ-SB52-00-07-000
	5 pcs	88 x 88	WZ-SB53-00-01-000
		66 x 88	WZ-SB53-00-02-000
		66 x 66	WZ-SB53-00-03-000
		44 x 110	WZ-SB53-00-04-000
		44 x 88	WZ-SB53-00-05-000
		44 x 66	WZ-SB53-00-06-000
		44 x 44	WZ-SB53-00-07-000
	5 pcs	88 x 88	WZ-SB54-00-01-000
		66 x 88	WZ-SB54-00-02-000
		66 x 66	WZ-SB54-00-03-000
		44 x 110	WZ-SB54-00-04-000
		44 x 88	WZ-SB54-00-05-000
		44 x 66	WZ-SB54-00-06-000
		44 x 44	WZ-SB54-00-07-000



Way of fastening cable clamps on cable management bar



**Cable management bar**

19" assembly, height: 1 U.  
 With slots for mounting cable clamps.

**Material**  
 Sheet steel powder painted in light grey (RAL 7035) or black (RAL 9005)

**Scope of delivery**  
 Cable management bar,  
 8 rubber covers for not used slots,  
 fixing accessories.

**Note:**  
 Cable clamps should be ordered separately.

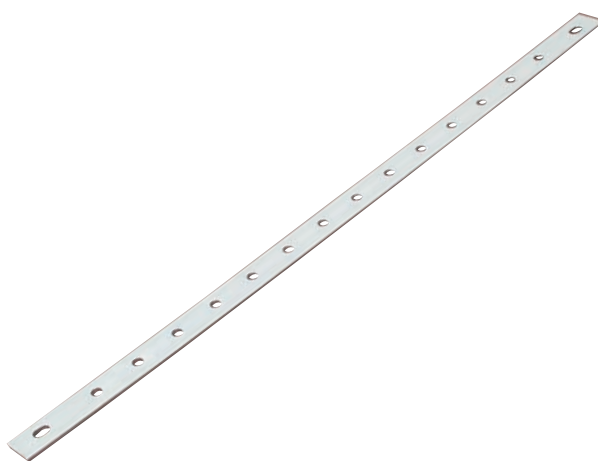
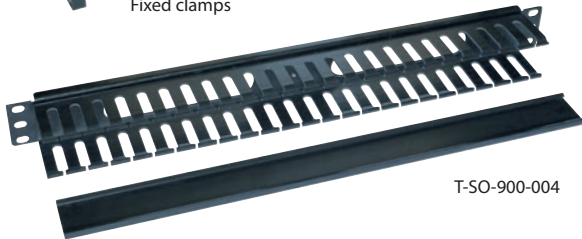


Cable management bar

Height [U = 44.45 mm]	Package	Colour	Catalogue number
1 U	1 pc.	RAL 7035	WZ-SB55-00-00-011
		RAL 9005	WZ-SB55-00-00-161

## ACCESSORIES FOR CABINETS AND OPEN RACKS

### CABLE MANAGEMENT



Cable holder

### Cable organizers

- 19" standard
- Height 1 U
- Esthetical look.
- Convenient reconfiguration.
- WNK-811-000, WNK-811-100 and WNK-811-101 cable organizer sets include fixing accessories.

**Material:** sheet steel, plastic

**Surface finish:** powder painting

Dimensions [mm]			Colour	Catalogue number
Width	Height	Depth		
483	44	80	RAL 7035	WNK-811-000
483	44	70	RAL 7035	WNK- 811-100
483	44	70	RAL 9005	WNK- 811-101
483	44	82	RAL 9005	T-SO-900-001
483	44	82	RAL 9005	T-SO-900-005
483	44	62	RAL 9005	T-SO-900-004

**Package:** 1 pc.

### Cable holder

Fixed horizontally to the front and rear mounting profiles, parallel to the cabinet's side. For installing cable bundle. With holes for M6 bolts.

**Material**

Zinc-coated sheet steel

**Scope of delivery**

Cable holder with fixing accessories.

Length [mm]	Catalogue number
500	WZ-SB00-29-01-000
410	WZ-SB00-29-02-000
335	WZ-SB00-29-03-000
310	WZ-SB00-29-04-000
210	WZ-SB00-29-05-000

**Package:** 1 pc.

ACCESSORIES FOR CABINETS AND OPEN RACKS

CABLE MANAGEMENT

**Vertical cable management**

Designed for vertical organization of cables inside the **800 mm** wide **SZB IT** cabinets. Fixed to horizontal C-profiles at the cabinet's side walls. Equipped with a removable front cover.

**Material**

Sheet steel powder painted.

**Scope of delivery**

Vertical cable management with fixing accessories for assembling into the cabinet.

For cabinet height	Dimensions [mm]		Colour	Catalogue number
	Width	Depth		
47 U	100	111	RAL 7035	WZ-6186-22-01-011
			RAL 9005	WZ-6186-22-01-161
45 U	100	111	RAL 7035	WZ-6186-22-02-011
			RAL 9005	WZ-6186-22-02-161
42 U	100	111	RAL 7035	WZ-6186-22-03-011
			RAL 9005	WZ-6186-22-03-161

Package: 1 pc.



**Brush panels**

Make easier to organise cables in data cabinets. 19" assembly, height 1 U. With 341 x 21.5 mm brush opening. Support plate can be used in order to keep patch cords which are in excess.

**Material**

Sheet steel powder painted in light grey (RAL 7035) or black (RAL 9005).

**Scope of delivery**

Brush panel with fixing accessories for assembling into the 19" mounting profiles.

Panel type	Depth [mm]	Package	Colour	Catalogue number
Without support plate	50	1 pc.	RAL 7035	WZ-SB63-00-01-011
			RAL 9005	WZ-SB63-00-01-161
With support plate	300	1 pc.	RAL 7035	WZ-SB63-00-02-011
			RAL 9005	WZ-SB63-00-02-161



Brush panel without support plate



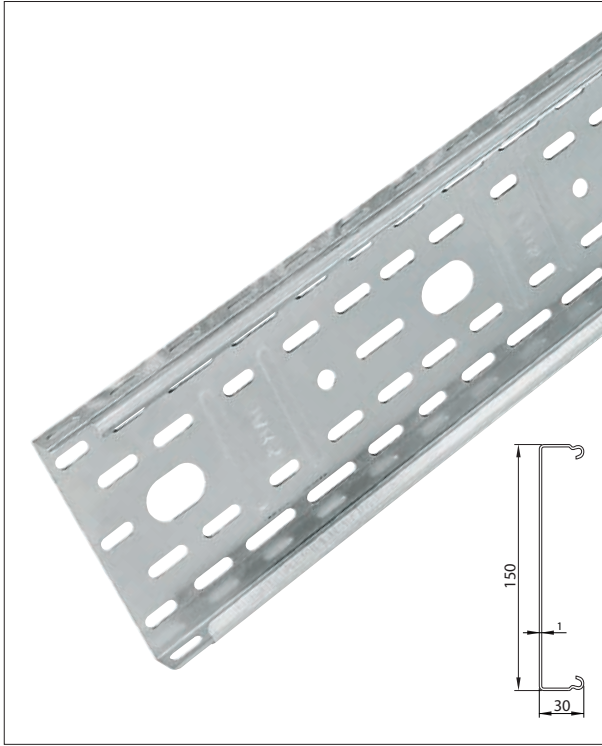
Brush panel with support plate





ACCESSORIES FOR CABINETS AND OPEN RACKS

CABLE MANAGEMENT



**Perforated cable tray**

Designed for vertical cable management inside the cabinet. Fixed to horizontal C-profiles at the cabinet's side walls. Width 150 mm, depth 30 mm.

**Note:** In 600 mm wide **SZB IT** cabinets, 30 mm deep cable tray can be fitted to the C-profiles only from the inner side (it does not fit in the space between the C-profile and cabinet's side panel.).

**Material**

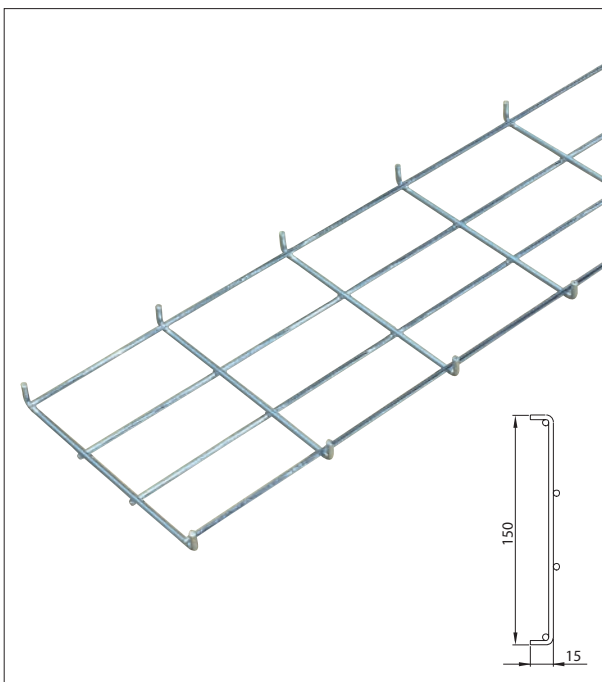
Sheet steel zinc coated

**Scope of delivery**

Cable tray with fixing accessories.

Cable tray length [mm]	For cabinet height [U = 44.45 mm]	Catalogue number
2000	45 - 47 U	WZ-4755-20-01-000
1800	40 - 42 U	WZ-4755-20-02-000
1700	38 - 39 U	WZ-4755-20-03-000
1600	36 U	WZ-4755-20-04-000
1400	32 - 33 U	WZ-4755-20-05-000
1300	30 U	WZ-4755-20-06-000
1200	27 - 28 U	WZ-4755-20-07-000
1100	24 U	WZ-4755-20-08-000

**Package:** 1 pc.



**Wire cable tray**

Designed for vertical cable management inside the cabinet. Fixed to horizontal C-profiles at the cabinet's side walls. Width 150 mm, depth 15 mm. In 600 mm wide **SZB IT** cabinets, wire cable tray can fit in the space between the C-profile and cabinet's side panel.

**Material**

Galvanized steel

**Scope of delivery**

Cable tray with fixing accessories.

Cable tray length [mm]	For cabinet height [U = 44.45 mm]	Catalogue number
2000	45 - 47 U	WZ-4755-25-01-000
1800	40 - 42 U	WZ-4755-25-02-000
1700	38 - 39 U	WZ-4755-25-03-000
1600	36 U	WZ-4755-25-04-000
1400	32 - 33 U	WZ-4755-25-05-000
1300	30 U	WZ-4755-25-06-000
1200	27 - 28 U	WZ-4755-25-07-000
1100	24 U	WZ-4755-25-08-000

**Package:** 1 pc.



ACCESSORIES FOR CABINETS AND OPEN RACKS

CABLE MANAGEMENT

**PVC cable ducts**

Designed for vertical organization of cables inside the **SZB IT** cabinets.  
 Fixed to horizontal C-profiles at the cabinet's side walls with help of the stiffening C-profile.  
 Cable duct and stiffening C-profile are ordered separately.

**Material**

Cable duct - PVC  
 Stiffening C-profile - sheet steel Al-Zn coated

**Scope of delivery**

Cable ducts - sold in lengths of 2 m.  
 Stiffening C-profile - sold in lengths given in the table below;  
 C-profile scope of delivery includes fixing accessories for cabinet installation.

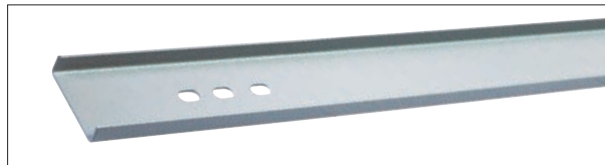


PVC cable ducts

**C-PROFILE FOR STIFFENING PVC CABLE DUCTS**

Height [U = 44.45 mm]	For PVC ducts width [mm]	Catalogue number
47 U	60	WZ-SB00-31-25-000
	40	WZ-SB00-31-31-000
45 U	60	WZ-SB00-31-01-000
	40	WZ-SB00-31-13-000
42 U	60	WZ-SB00-31-02-000
	40	WZ-SB00-31-14-000
40 U	60	WZ-SB00-31-03-000
	40	WZ-SB00-31-15-000
39 U	60	WZ-SB00-31-26-000
	40	WZ-SB00-31-32-000
38 U	60	WZ-SB00-31-04-000
	40	WZ-SB00-31-16-000
36 U	60	WZ-SB00-31-05-000
	40	WZ-SB00-31-17-000
33 U	60	WZ-SB00-31-27-000
	40	WZ-SB00-31-33-000
32 U	60	WZ-SB00-31-06-000
	40	WZ-SB00-31-18-000
30 U	60	WZ-SB00-31-28-000
	40	WZ-SB00-31-34-000
28 U	60	WZ-SB00-31-07-000
	40	WZ-SB00-31-19-000
27 U	60	WZ-SB00-31-29-000
	40	WZ-SB00-31-35-000
24 U	60	WZ-SB00-31-08-000
	40	WZ-SB00-31-20-000
21 U	60	WZ-SB00-31-30-000
	40	WZ-SB00-31-36-000
18 U	60	WZ-SB00-31-09-000
	40	WZ-SB00-31-21-000
15 U	60	WZ-SB00-31-10-000
	40	WZ-SB00-31-22-000

Package: 1 pc.



C-profile for stiffening PVC cable ducts



PVC cable duct fastened to the C-profile for cable duct stiffening



PVC cable duct with a C-profile for cable duct stiffening, installed in the SZB cabinet

**PVC CABLE DUCT**

Height [mm]	Width [mm]	Depth [mm]	Catalogue number
2000	60	100	M10-02-013
		80	M10-02-031
	40	60	M10-02-012
		40	M10-02-011

Package: 1 pc.



ACCESSORIES FOR CABINETS AND OPEN RACKS

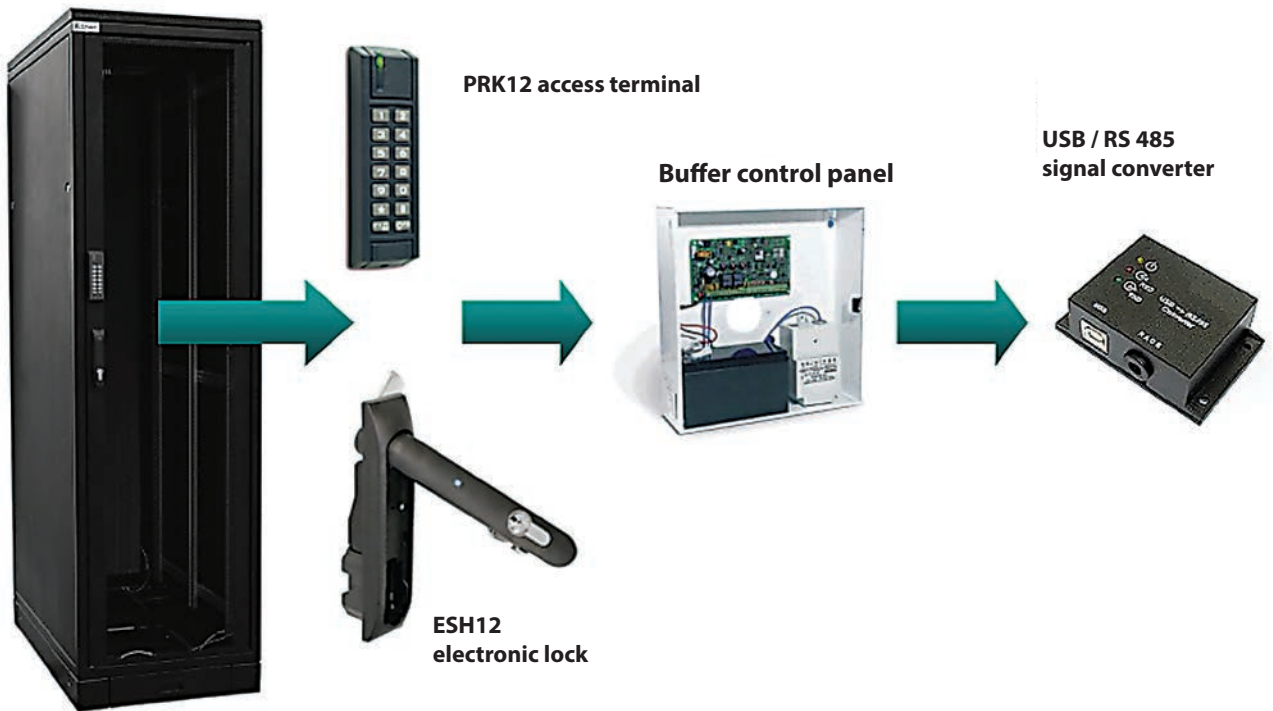
MONITORING AND ACCESS CONTROL SYSTEMS



**ZPAS Access Control**



The basis of the ZPAS Access Control system is the network made up of access terminals connected to the electromechanical components (e.g. electric strikes or servos), data buffering control panels and the system operator station. What makes the ZPAS AC system different from other unauthorized access restriction systems is its construction. First of all, there are access terminals storing in their memory a database of 120 users. Secondly, each of the control network elements communicates with buffering control panels and the operator via RS485 bus. Thirdly, the system has advanced and free software that allows the administrator to easily manage even large numbers of users and protected areas. One of specific application of the system is protection of data communication cabinets. The main elements of such protection include the ESH12 electronic door lock and an access terminal. In the thinnest version, the control may cover one cabinet, protecting it with the terminal operating autonomously. Depending on the terminal version, the lock in the cabinet door opens after entering correct access code or using an authorised proximity card. If PRK12 or PRK12-BK terminals are used, the system can be expanded by connecting it to the operator's external computer station.



Example of configuration of the server cabinets access system with a buffer control panel and a communication interface

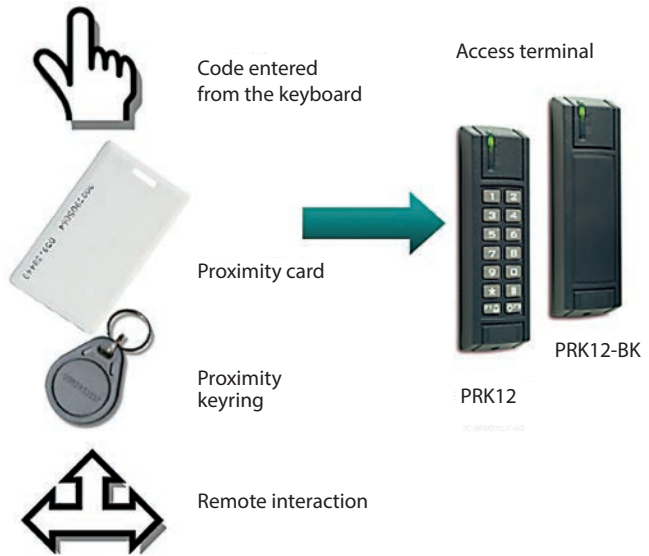
ACCESSORIES FOR CABINETS AND OPEN RACKS

MONITORING AND ACCESS CONTROL SYSTEMS

**Available types of access terminals**

- **PRK6** - an external digital lock with 55 user codes, provided with one relay output and two transistor outputs.
- **PRK12** - an extended external access controller equipped with a keyboard and in-built reader for cards or proximity keyrings. Additional functionalities include alarm signalling, notification of forced entry and working with the network access control system. Memory capacity for 120 users together with an access time schedule.
- **PRK12-BK** - PRK12 terminal version without keyboard for entering PIN codes.

If the PRK12 or PRK12-BK terminals operate in the network mode, their functionality is significantly extended. It is possible to divide users into access groups and assign them appropriate time schedules. You can also define special time schedules that will control user identification mode and door mode (door armed and door disarmed).



Access solutions provided by the PRK 12 access terminal

**ESH12 electronic lock**

Since the lock incorporates a motor mechanism (instead of electric strike), it does not generate strong magnetic field, which eliminates unnecessary danger from the inside of the cabinet. Another advantage of the solution is the fact that it is not easily amenable to wear and tear. The possibility of opening the lock with a key, e.g. in the event of a power failure, is an important feature of the device. Lock status signals are transmitted via the terminal to the operator. As a result, any such event is reported and cannot go unnoticed. Furthermore, the operator can distinguish correctly closed lock from open or even from inadequately closed lock.

