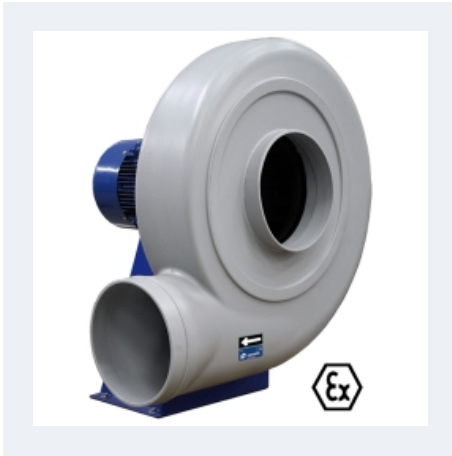


MBPCX



PLASTIC ATEX FAN WITH FORWARD IMPELLER

MANUFACTURING FEATURES

- Antistatic PE-el housing.
- Forward curved impeller in PP plastic.
- Motor support made of rolled steel sheet with polyester powder finishing coat.
- Stainless steel nuts and bolts.
- Standard asynchronous squirrel-cage motor, IP-55, class F insulation. Standard voltages 230/400V 50Hz. Equipped with ATEX motors
- Standard orientation: LG270.

APPLICATIONS

Designed for inline installation, they are suitable for:

- Corrosive air transport.
- Chemical and petrochemical industry.
- Laboratories and gas cabinets.
- General ventilation in closed environments classified as ATEX zone 2.
- Maximum temperature of transported air: If it is clean air 70°C, other depends on the gas (see table in documentation)

UNDER REQUEST

- 60Hz fans and special voltages fans.
- Stainless steel motor support.
- Orientación: RD0, RD45, RD90, RD135, RD180, RD225, RD270, RD315, LG0, LG45, LG90, LG135, LG180. LG225, LG315.

In compliance with the ATEX Directive 2014/34/UE. Certified ATEX II3G with certified ATEX motor for areas 2 (gas)

Accessories



Technical data

Three-phase motor / 2 poles

Code	Model	R.P.M.	Rated I. A 400V	Rated power kW	Max. Airflow m ³ /h	Sound db (A)**	Weight kg	Connect. diagram
502302014XD	MBPCX 20 T2 0,25kW	2750	0,74	0,25	610	63	18	1
502302517XD	MBPCX 25 T2 0,75kW	2870	2,00	0,75	1.220	68	28	1
502302818XD	MBPCX 28 T2 1,1kW	2830	2,6	1,10	1.690	73	31	1
502303119XD	MBPCX 31 T2 1,5kW	2850	3,95	1,50	2.710	74	44	1
502303527XD	MBPCX 35 T2 2,2kW	2840	5,4	2,20	2.710	76	82	1

Three-phase motor / 4 poles

Code	Model	R.P.M.	Rated I. A 400V	Rated power kW	Max. Airflow m ³ /h	Sound db (A)**	Weight kg	Connect. diagram
502302039XD	MBPCX 20 T4 0,12kW	1420	0,71	0,12	310	47	17	1
502302540XD	MBPCX 25 T4 0,18kW	1380	0,76	0,18	630	53	21	1
502302840XD	MBPCX 28 T4 0,18kW	1380	0,76	0,18	860	58	24	1
502303141XD	MBPCX 31 T4 0,25kW	1400	0,84	0,25	1.510	58	33	1
502303542XD	MBPCX 35 T4 0,37kW	1410	1,2	0,37	2.110	61	53	1
502304044XD	MBPCX 40 T4 0,75kW	1410	2,1	0,75	2.550	64	41	1
502304545XD	MBPCX 45 T4 1,5kW	1415	3,8	1,50	3.900	66	85	1
502305054XD	MBPCX 50 T4 2,2kW	1440	5,8	2,20	5.250	75	77	1
503105661XD	MBPCX 56 T4 5,5kW	1455	11,5	5,50	8.990	77	120	1

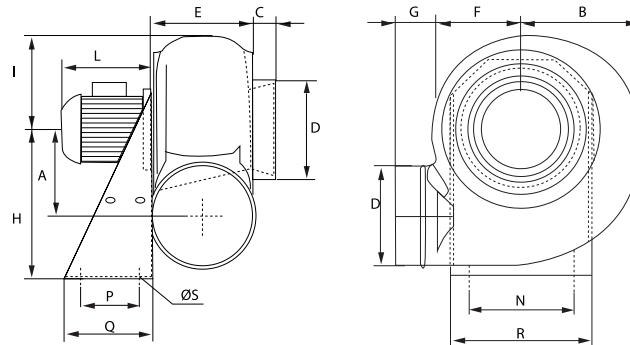
Three-phase motor / 6 poles

Code	Model	R.P.M.	Rated I. A 400V	Rated power kW	Max. Airflow m ³ /h	Sound db (A)**	Weight kg	Connect. diagram
502303167XD	MBPCX 31 T6 0,12kW	900	0,55	0,12	990	58	28	1
502304069XD	MBPCX 40 T6 0,25kW	910	1,00	0,25	1.670	53	34	1
502305072XD	MBPCX 50 T6 0,75kW	930	2,2	0,75	3.440	63	68	1
502305678XD	MBPCX 56 T6 2,2kW	930	5,2	2,20	5.890	66	95	1

Notes:

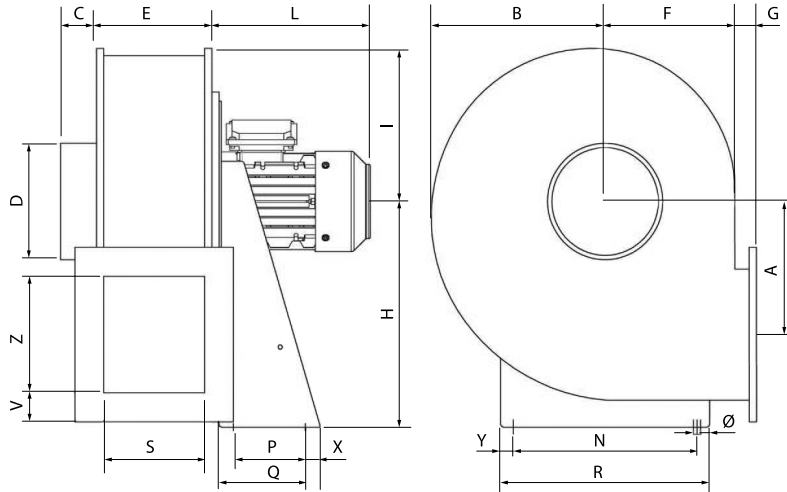
** Total sound pressure level at the point of maximum flow measured in dB(A) in the suction measured in free field at a distance of 6m from the source

Dimensions



Model	A	B	C	DØ	E	F	G	H	I
MBPCX 20 T2 0,25kW	142	187	40	125	120	150	60	250	165
MBPCX 20 T4 0,12kW	142	187	40	125	120	150	60	250	165
MBPCX 25 T2 0,75kW	183	228	40	160	153	188	60	310	210
MBPCX 25 T4 0,18kW	183	228	40	160	153	188	60	310	210
MBPCX 28 T2 1,1kW	208	274	40	180	160	204	60	350	230
MBPCX 28 T4 0,18kW	208	274	40	180	160	204	60	350	230
MBPCX 31 T2 1,5kW	230	310	40	200	170	220	60	410	245
MBPCX 31 T4 0,25kW	230	310	40	200	170	220	60	410	245
MBPCX 31 T6 0,12kW	230	310	40	200	170	220	60	410	245
MBPCX 40 T4 0,75kW	290	380	40	250	194	265	80	495	330
MBPCX 40 T6 0,25kW	290	380	40	250	194	265	80	495	330

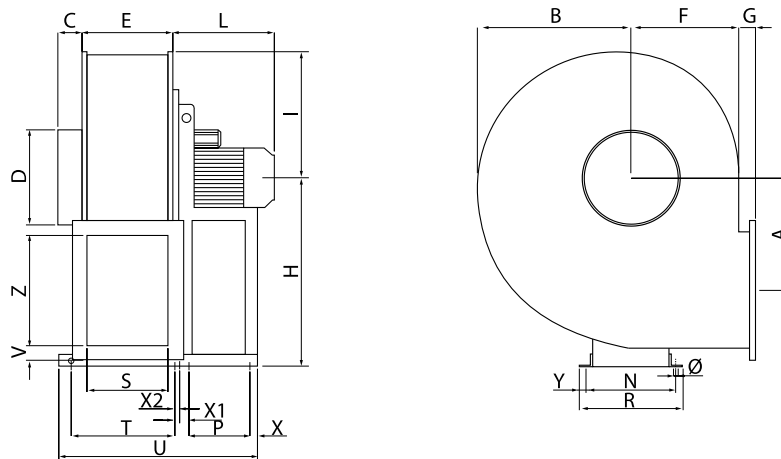
Model	L	N	P	Q	R	ØS
MBPCX 20 T2 0,25kW	195	200	100	140	235	11
MBPCX 20 T4 0,12kW	190	200	100	140	235	11
MBPCX 25 T2 0,75kW	220	255	100	140	290	11
MBPCX 25 T4 0,18kW	190	255	100	140	290	11
MBPCX 28 T2 1,1kW	190	277	120	190	316	11
MBPCX 28 T4 0,18kW	240	277	120	190	316	11
MBPCX 31 T2 1,5kW	290	320	150	230	355	11
MBPCX 31 T4 0,25kW	210	320	150	230	355	11
MBPCX 31 T6 0,12kW	210	320	150	230	355	11
MBPCX 40 T4 0,75kW	240	330	170	250	365	11
MBPCX 40 T6 0,25kW	220	330	170	250	365	11



Model	A	B	C	D	E	F	G	H	I
MBPCX 35 T2 2,2kW	275	328	50	225	185	230	40	445	285
MBPCX 35 T4 0,37kW	275	328	50	225	185	230	40	445	285
MBPCX 45 T4 1,5kW	292	382	50	280	280	340	40	550	350

Model	L	N	P	Q	R	S	V	X	Y
MBPCX 35 T2 2,2kW	290	355	150	230	390	175	40	40	17.5
MBPCX 35 T4 0,37kW	220	355	150	230	390	175	40	40	17.5
MBPCX 45 T4 1,5kW	290	370	170	250	410	210	40	40	20

Model	Z	Ø
MBPCX 35 T2 2,2kW	250	11
MBPCX 35 T4 0,37kW	250	11
MBPCX 45 T4 1,5kW	300	11



Model	A	B	C	D	E	F	G	H	I
MBPCX 50 T4 2,2kW	377	390	80	315	280	450	50	630	395
MBPCX 50 T6 0,75kW	377	390	80	315	280	450	50	630	395
MBPCX 56 T4 5,5kW	416	560	80	400	330	388	50	710	445
MBPCX 56 T6 2,2kW	416	560	80	400	330	388	50	710	445

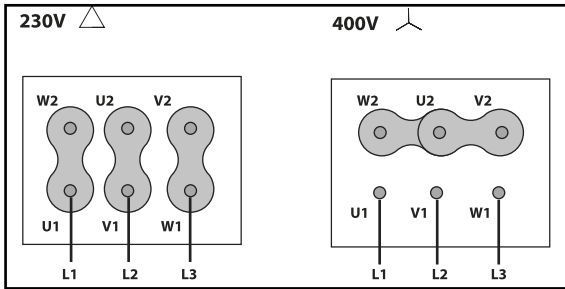
Model	L	N	P	R	S	T	U	V	X
MBPCX 50 T4 2,2kW	300	289	237	325	260	390	730	50	25
MBPCX 50 T6 0,75kW	250	289	237	325	260	390	730	50	25
MBPCX 56 T4 5,5kW	340	445	270	481	310	454	994	50	25
MBPCX 56 T6 2,2kW	330	289	270	325	310	454	827	50	25

Model	X1	X2	Y	Z	Ø
MBPCX 50 T4 2,2kW	28	25	18	365	14
MBPCX 50 T6 0,75kW	28	25	18	365	14
MBPCX 56 T4 5,5kW	38	15	18	460	14
MBPCX 56 T6 2,2kW	38	15	18	460	14

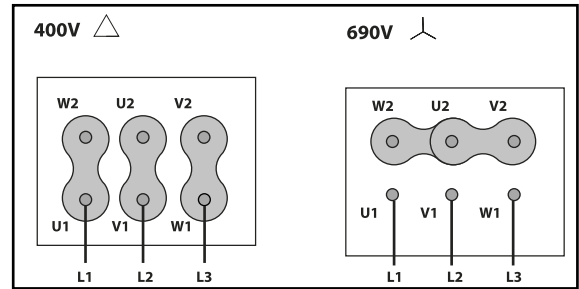
Wiring diagram

Wiring diagram N° 1

230/400V



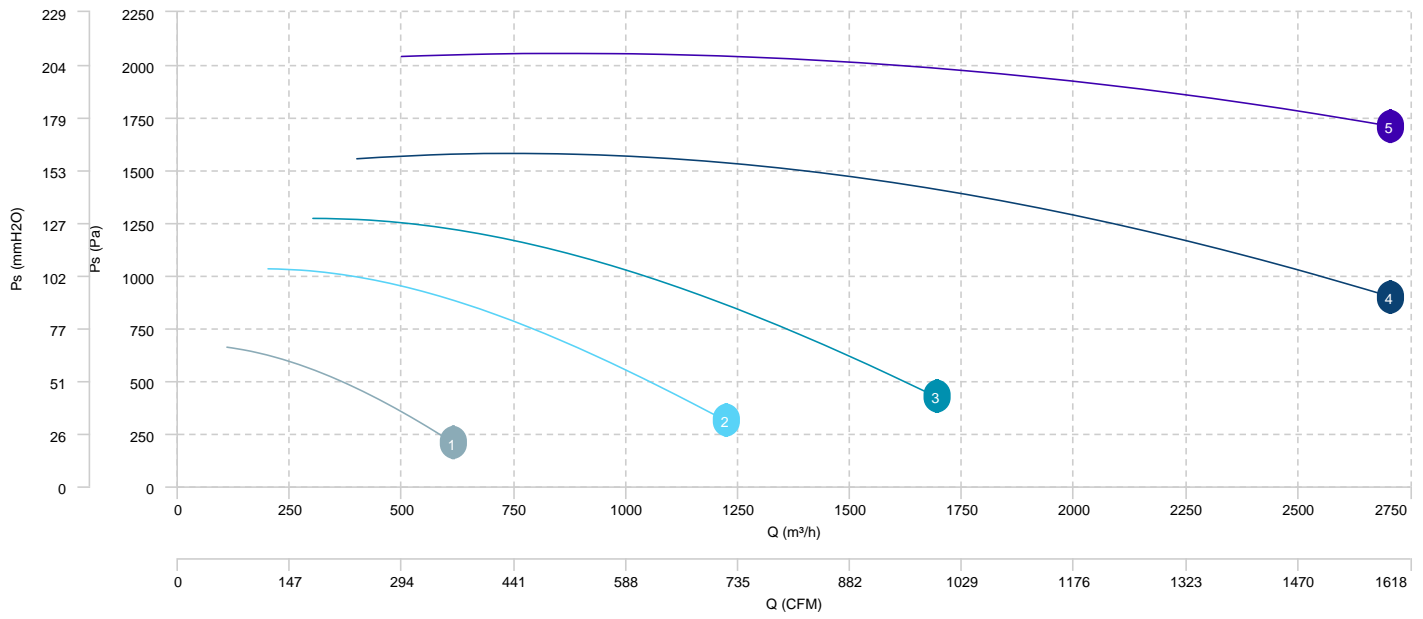
400/690V



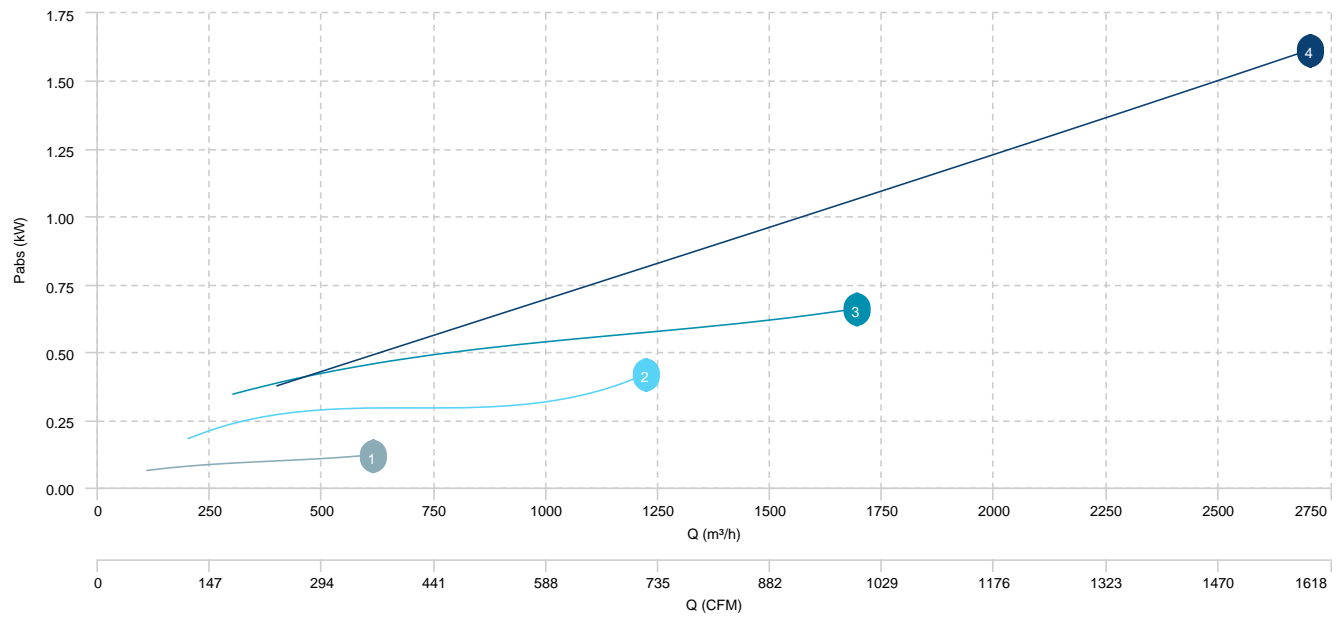
CHARACTERISTIC CURVE

- 1 MBPCX 20 T2 0,25kW
- 2 MBPCX 25 T2 0,75kW
- 3 MBPCX 28 T2 1,1kW
- 4 MBPCX 31 T2 1,5kW
- 5 MBPCX 35 T2 2,2kW

AIR FLOW - PRESSURE

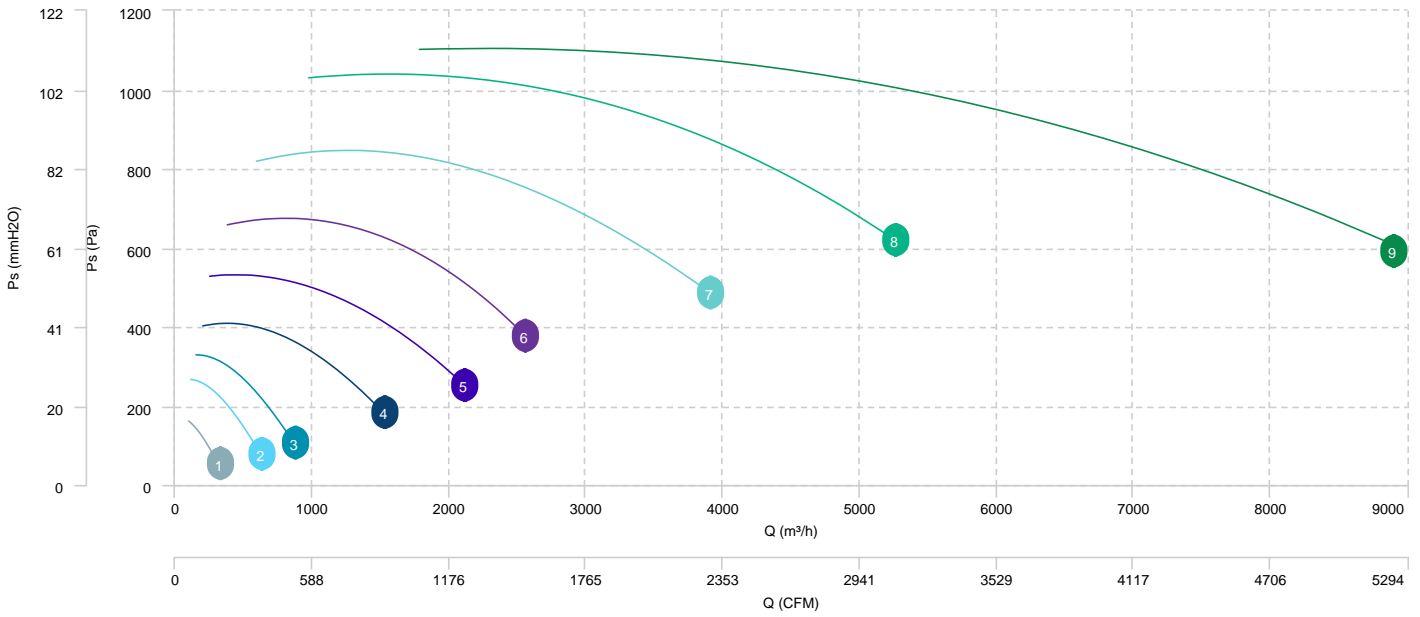


AIR FLOW - ABSORBED POWER

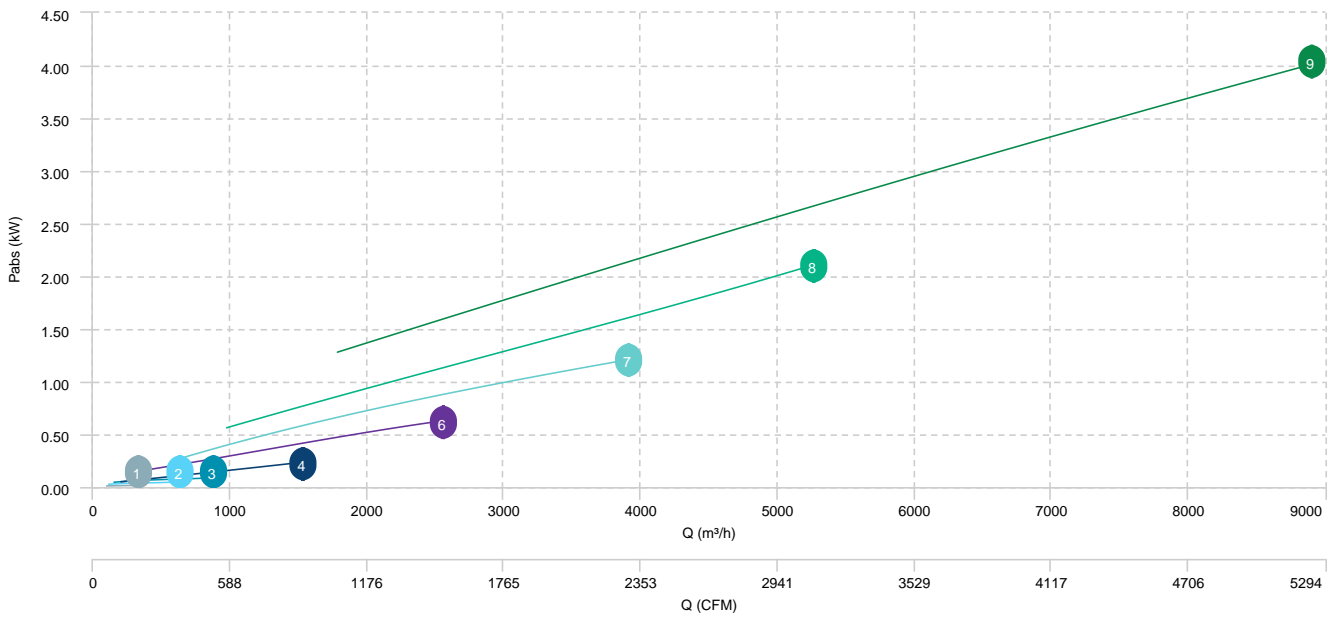


1	MBPCX 20 T4 0,12kW	2	MBPCX 25 T4 0,18kW	3	MBPCX 28 T4 0,18kW	4	MBPCX 31 T4 0,25kW
5	MBPCX 35 T4 0,37kW	6	MBPCX 40 T4 0,75kW	7	MBPCX 45 T4 1,5kW	8	MBPCX 50 T4 2,2kW
9	MBPCX 56 T4 5,5kW						

AIR FLOW - PRESSURE



AIR FLOW - ABSORBED POWER



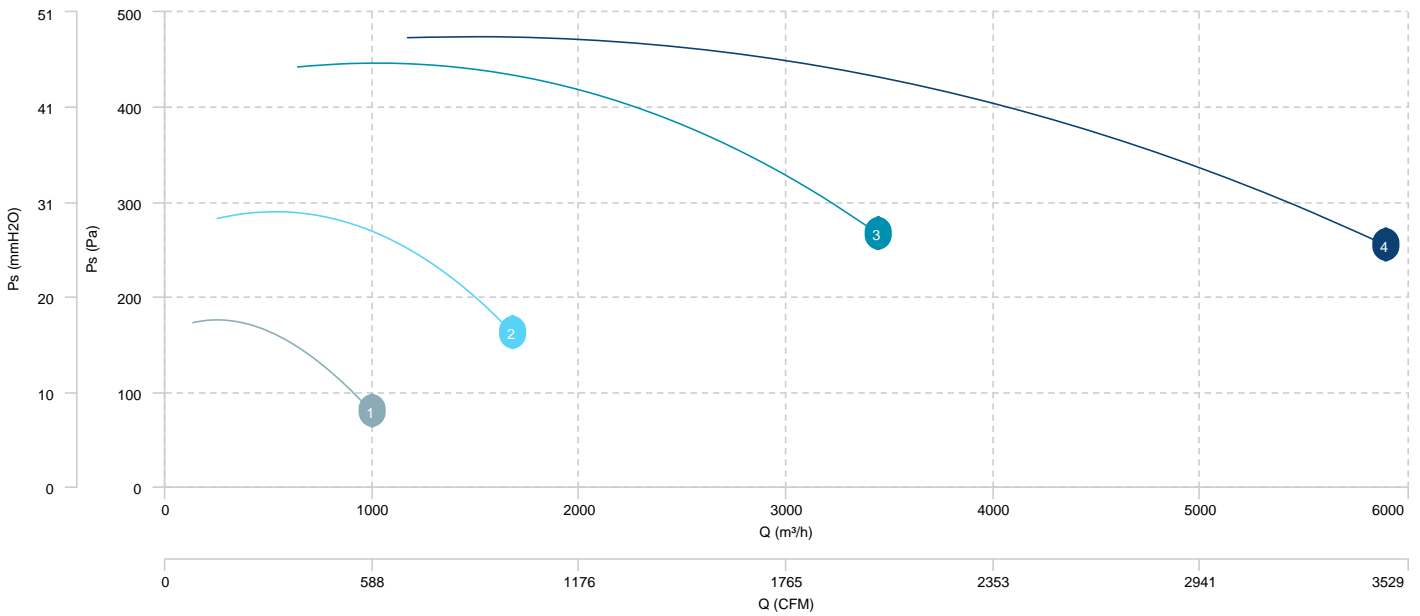
1 MBPCX 31 T6 0,12kW

2 MBPCX 40 T6 0,25kW

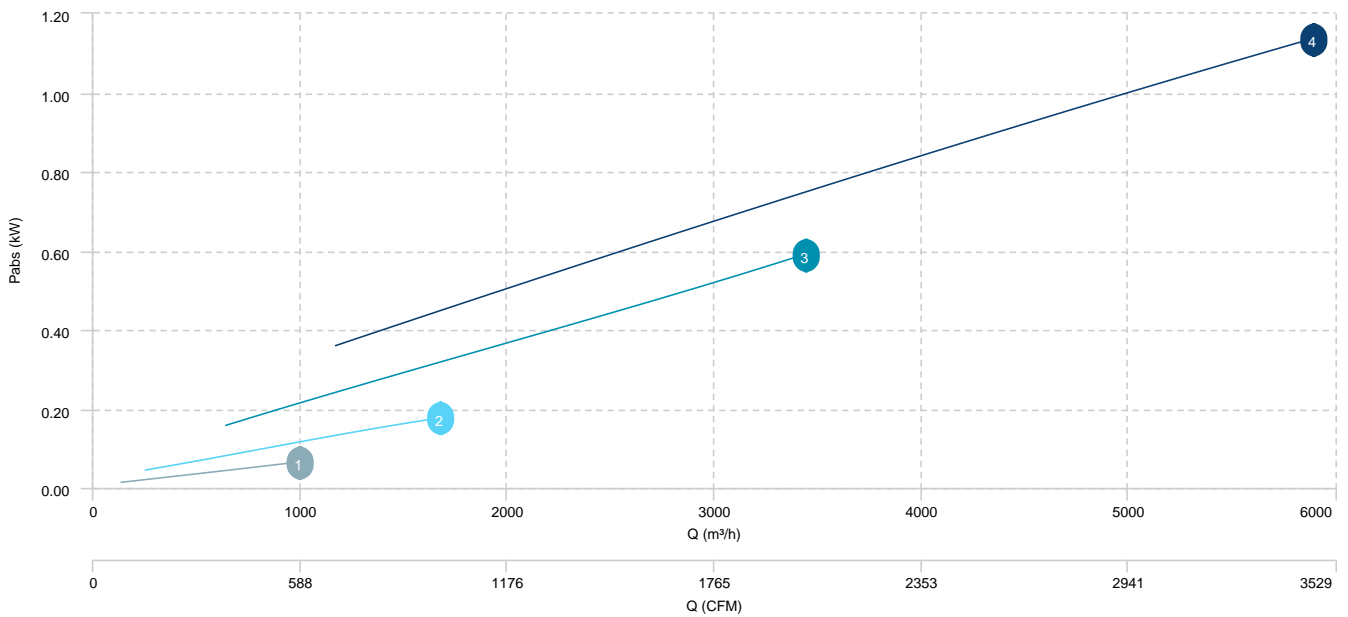
3 MBPCX 50 T6 0,75kW

4 MBPCX 56 T6 2,2kW

AIR FLOW - PRESSURE



AIR FLOW - ABSORBED POWER



Sound data

Sound / 2 poles

Sound power Lw dB (A)										
Model		63 Hz	125 Hz	250 Hz	500 Hz	1000 Hz	2000 Hz	4000 Hz	8000 Hz	Total
MBPCX 20 T2 0,25kW	Inlet	60	72	78	81	87	80	72	61	89
MBPCX 25 T2 0,75kW	Inlet	66	78	83	87	92	85	77	67	94
MBPCX 28 T2 1,1kW	Inlet	70	83	88	91	97	90	82	72	99
MBPCX 31 T2 1,5kW	Inlet	71	83	89	92	97	91	82	72	100
MBPCX 35 T2 2,2kW	Inlet	73	85	91	94	100	93	85	74	102

Sound / 4 poles

Sound power Lw dB (A)										
Model		63 Hz	125 Hz	250 Hz	500 Hz	1000 Hz	2000 Hz	4000 Hz	8000 Hz	Total
MBPCX 20 T4 0,12kW	Inlet	45	57	63	69	69	65	57	46	73
MBPCX 25 T4 0,18kW	Inlet	51	63	69	75	74	70	62	52	79
MBPCX 28 T4 0,18kW	Inlet	55	68	73	79	79	75	67	57	84
MBPCX 31 T4 0,25kW	Inlet	56	68	74	80	79	76	67	57	84
MBPCX 35 T4 0,37kW	Inlet	58	71	76	82	82	78	70	60	87
MBPCX 40 T4 0,75kW	Inlet	62	74	79	86	85	81	73	63	90
MBPCX 45 T4 1,5kW	Inlet	64	76	81	88	87	83	75	65	92
MBPCX 50 T4 2,2kW	Inlet	93	95	93	94	90	85	77	69	101
MBPCX 56 T4 5,5kW	Inlet	95	97	95	96	92	87	79	71	103

Sound / 6 poles

Sound power Lw dB (A)										
Model		63 Hz	125 Hz	250 Hz	500 Hz	1000 Hz	2000 Hz	4000 Hz	8000 Hz	Total
MBPCX 31 T6 0,12kW	Inlet	56	68	74	80	79	76	67	57	84
MBPCX 40 T6 0,25kW	Inlet	51	63	72	72	74	71	62	52	79
MBPCX 50 T6 0,75kW	Inlet	82	84	82	83	79	74	66	58	89
MBPCX 56 T6 2,2kW	Inlet	85	87	85	86	82	77	69	61	92